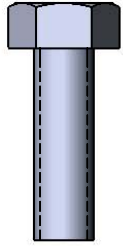
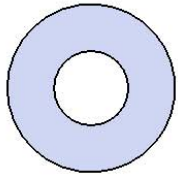


Model # B10WBRCM

# HARDWARE



5/16" x 1"  
Machine Bolt

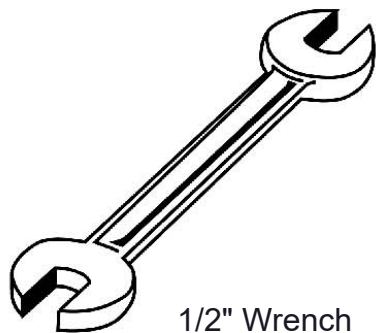


5/16" Washer

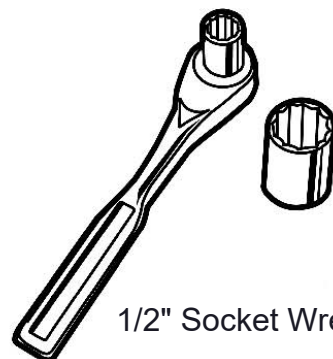


5/16" Kep Nut

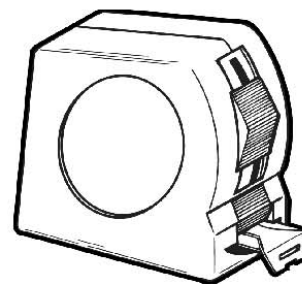
## TOOLS REQUIRED



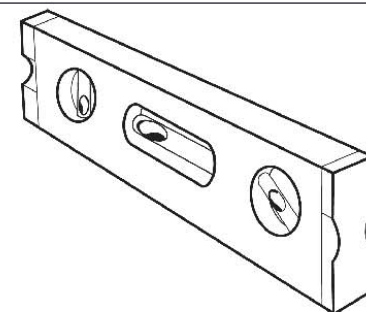
1/2" Wrench



1/2" Socket Wrench



Tape Measure



Level

# PRODUCT SPECIFICATIONS

## **B10WBRCSM SURFACE MOUNT BENCH WITH BACK**

**Seats & Back:** Angle frame made with 2" x 2" x 1/8" structural steel angle. 3/4" #9 steel expanded metal. 10 gauge x 1-1/2" flat bar center support and mounting bracket understructure. Electrically MIG welded.

**Coating:** Oven fused functionalized polyethylene copolymer-based thermoplastic. Fluidized bed coating application with superior mechanical performance, impact resistance and UV-stability.

**Frame:** 2-3/8" O.D. x 12 gauge pre-galvanized structural steel tubing. Seat/back support is bent over a mandrel through the bend radius producing a wrinkle free bend. Tube ends are pre-galvanized steel capped. Seat mounting points are 7 gauge x 1-1/2" die stamped steel flat bar. A 6" x 6" steel plate makes up the surface mount footing. The surface mount plate has four holes for stable mounting, and clipped corners for a more finished look. All electrically MIG welded.

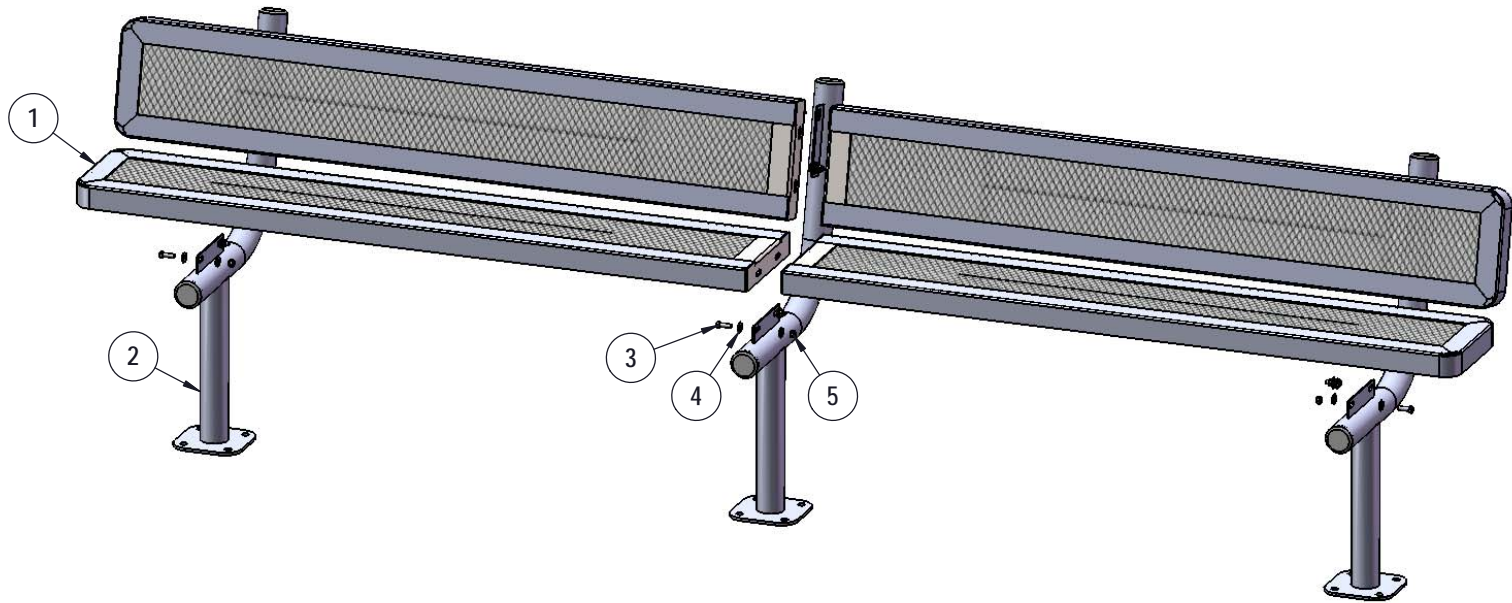
**Frame Coating:** Electrostatic powder coated application oven cured.

**Hardware:** All stainless steel hardware fasteners.

**Dimensions:** 10' bench surface mount with back. Seats and back 10" wide x 120-1/4" long. Seat height is 18-1/2" from ground, seat back height is 34-3/8". Total depth of seat with back is 21-1/2".

# COMPONENTS

Attach the 10' Expanded Seat and Back to the legs using specified hardware.



Recommended Surface Mount Hardware:  
 3/8" x 3-1/2" Concrete Expansion Anchor Bolts  
 (Not Included)

| ITEM NO. | PartNo     | DESCRIPTION                             | Qty. |
|----------|------------|---|------|
| 1        | RC60-S     | 5' x 10" wide regal expanded seat (1/2) | 4    |
| 2        | P-V940SM   | 940 Surface Mount Leg                   | 3    |
| 3        | 33-05-0029 | 5/16" x 1" Machine Bolt (SS)            | 12   |
| 4        | 33-02-0007 | 5/16" SS Washer                         | 24   |
| 5        | 33-03-0012 | 5/16" Kep Nut (SS)                      | 12   |

**Superior**<sup>®</sup>  
 RECREATIONAL PRODUCTS  
A PLAYCORE Company

# OVERALL DIMENSIONS

