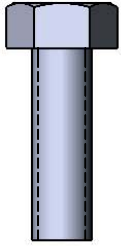
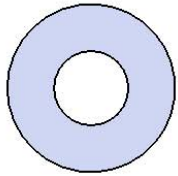


Model # B15WBRCS

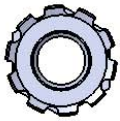
HARDWARE



5/16" x 1"
Machine Bolt

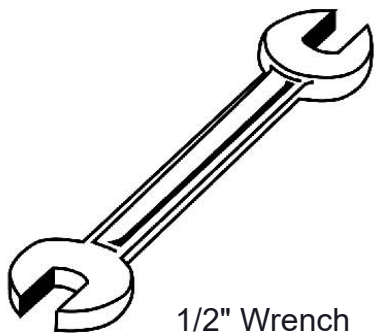


5/16" Washer

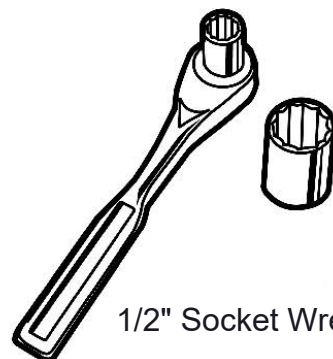


5/16" Kep Nut

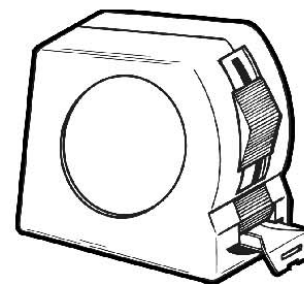
TOOLS REQUIRED



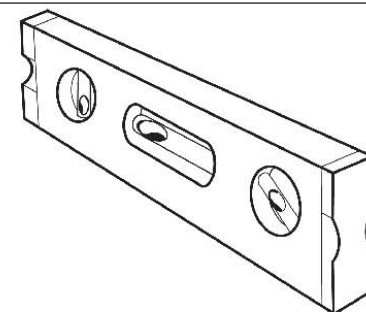
1/2" Wrench



1/2" Socket Wrench



Tape Measure



Level

PRODUCT SPECIFICATIONS

B15WBRCS INGROUND BENCH WITH BACK

Seats & Back: Angle frame made with 2" x 2" x 1/8" structural steel angle. 3/4" #9 steel expanded metal. 10 gauge x 1-1/2" flat bar center support and mounting bracket understructure. Electrically MIG welded.

Coating: Oven fused functionalized polyethylene copolymer-based thermoplastic. Fluidized bed coating application with superior mechanical performance, impact resistance and UV-stability.

Frame: 2-3/8" O.D. x 12 gauge pre-galvanized structural steel tubing. Seat/back support is bent over a mandrel through the bend radius producing a wrinkle free bend. Tube ends are pre-galvanized steel capped. Seat mounting points are 7 gauge x 1-1/2" die stamped steel flat bar. All electrically MIG welded.

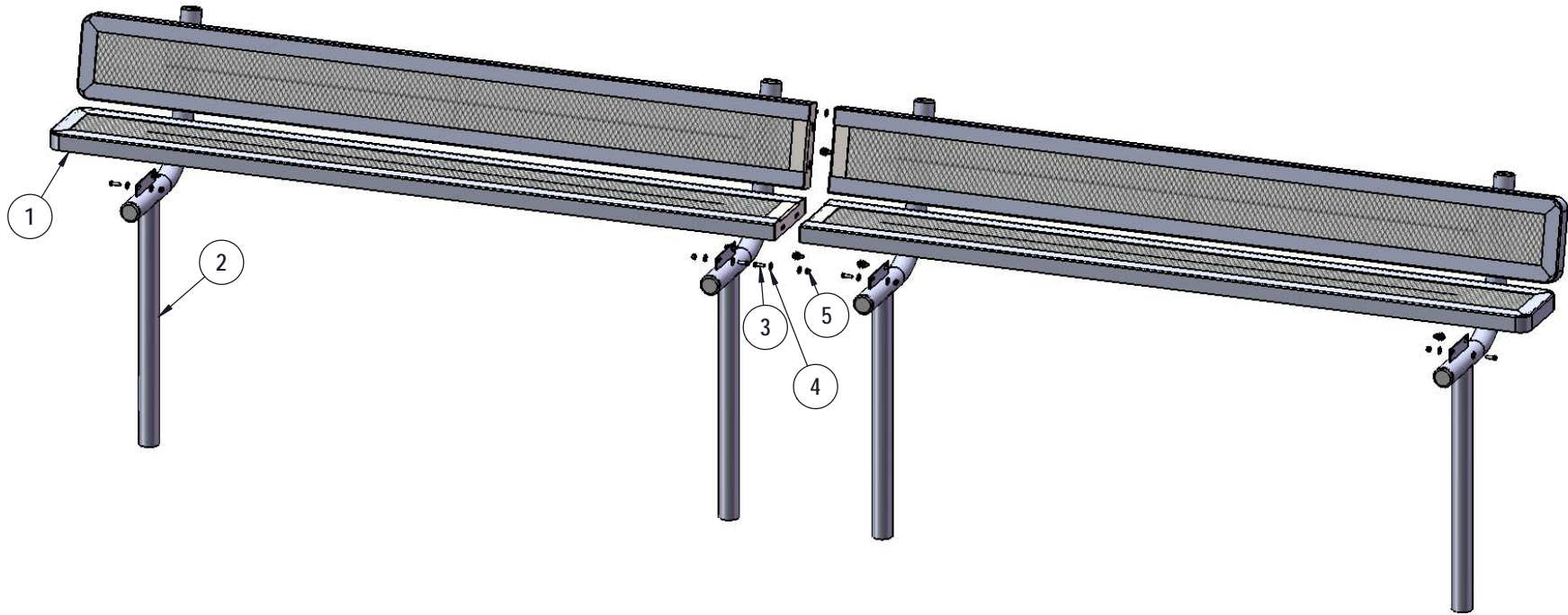
Frame Coating: Electrostatic powder coated application oven cured.

Hardware: All stainless steel hardware fasteners.

Dimensions: 15' bench inground with back. Seats and back 10" wide x 180-1/4" long. Seat height is 18" from ground, seat back height is 33-7/8" from ground. Overall height is 49-13/16". Total depth of seat with back is 21-1/2".

COMPONENTS

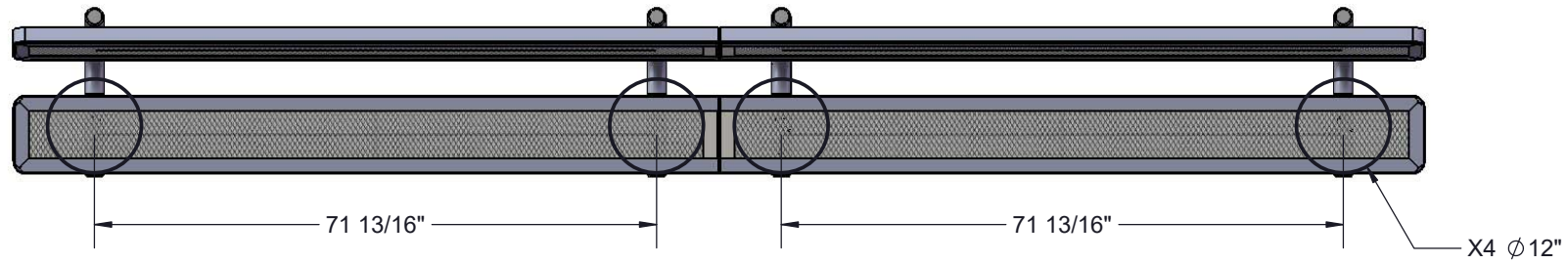
Attach the 15' Expanded Seat and Back to the legs using specified hardware.



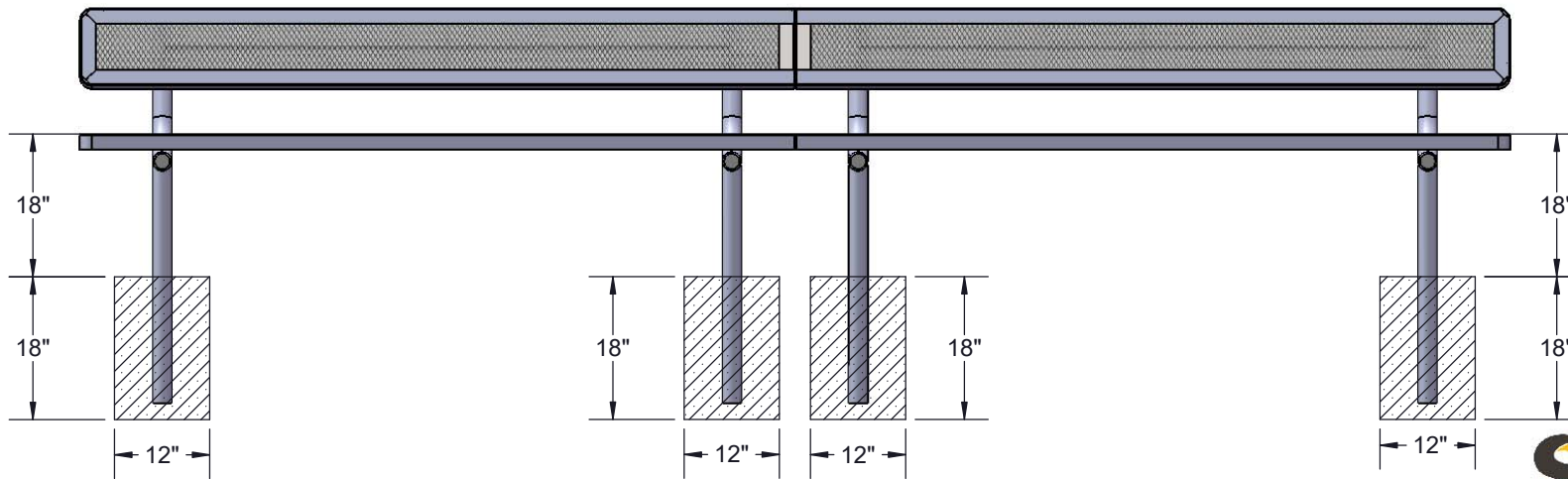
ITEM NO.	PartNo	DESCRIPTION	Qty.
1	RC90-S	7-1/2' long x 10" wide regal expanded seat (1/2)	4
2	P-V940S	940 In Ground Leg	4
3	33-05-0029	5/16" x 1" Machine Bolt (SS)	20
4	33-02-0007	5/16" SS Washer	40
5	33-03-0012	5/16" Kep Nut (SS)	20

Superior[®]
RECREATIONAL PRODUCTS
A PLAYCORE Company

FOOTINGS



Estimated Required Concrete:
10 - 50lb Bags of Concrete Mix



Superior[®]
RECREATIONAL PRODUCTS
A PLAYCORE Company

OVERALL DIMENSIONS

