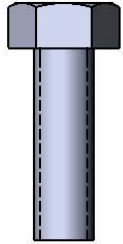
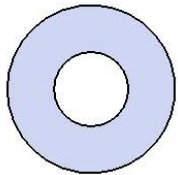


Model # B15WBRCSM

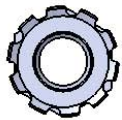
HARDWARE



5/16" x 1"
Machine Bolt

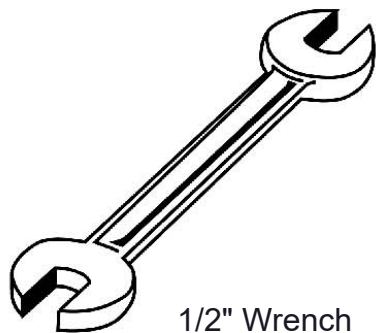


5/16" Washer

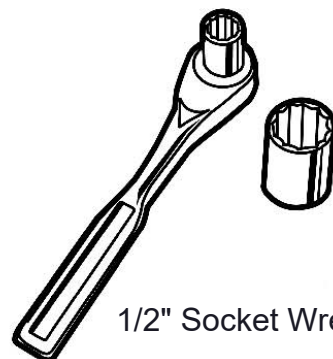


5/16" Kep Nut

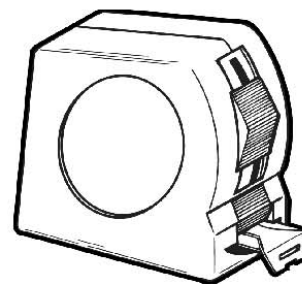
TOOLS REQUIRED



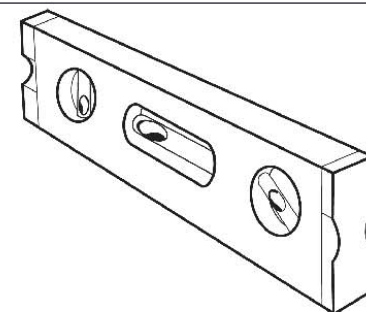
1/2" Wrench



1/2" Socket Wrench



Tape Measure



Level

PRODUCT SPECIFICATIONS

B15WBRCSM SURFACE MOUNT BENCH WITH BACK

Seats & Back: Angle frame made with 2" x 2" x 1/8" structural steel angle. 3/4" #9 steel expanded metal. 10 gauge x 1-1/2" flat bar center support and mounting bracket understructure. Electrically MIG welded.

Coating: Oven fused functionalized polyethylene copolymer-based thermoplastic. Fluidized bed coating application with superior mechanical performance, impact resistance and UV-stability.

Frame: 2-3/8" O.D. x 12 gauge pre-galvanized structural steel tubing. Seat/back support is bent over a mandrel through the bend radius producing a wrinkle free bend. Tube ends are pre-galvanized steel capped. Seat mounting points are 7 gauge x 1-1/2" die stamped steel flat bar. A 6" x 6" steel plate makes up the surface mount footing. The surface mount plate has four holes for stable mounting, and clipped corners for a more finished look. All electrically MIG welded.

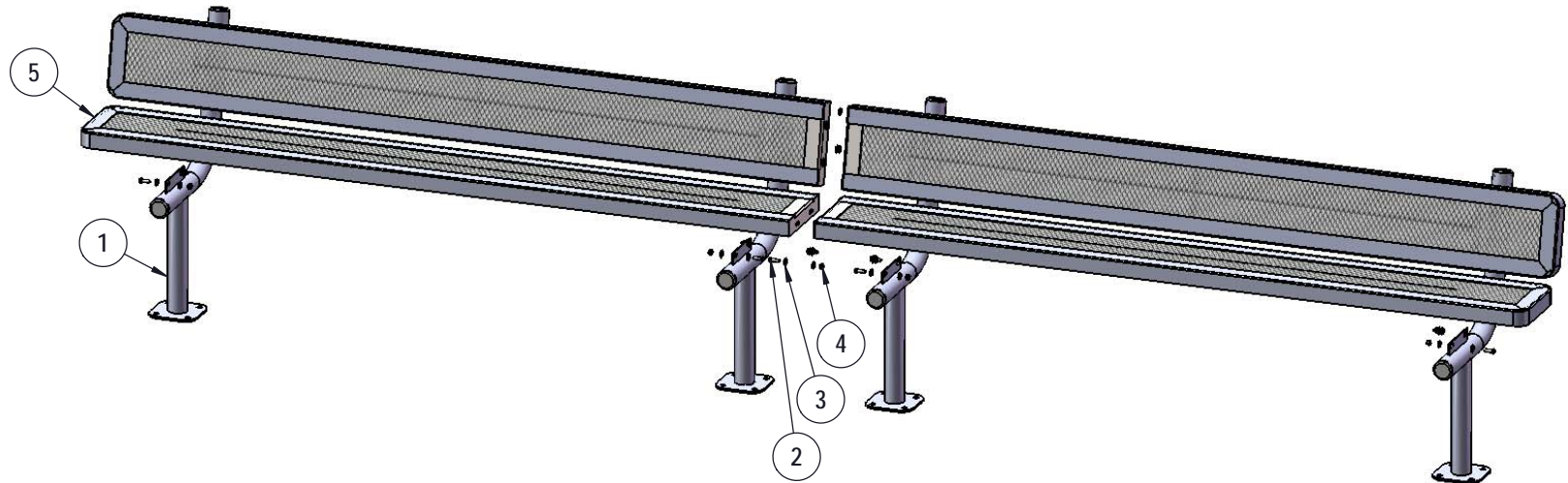
Frame Coating: Electrostatic powder coated application oven cured.

Hardware: All stainless steel hardware fasteners.

Dimensions: 15' bench surface mount with back. Seats and back 10" wide x 180-1/4" long. Seat height is 18-1/2" from ground, seat back height is 34-3/8". Total depth of seat with back is 21-1/2".

COMPONENTS

Attach the 15' Expanded Seat and Back to the legs using specified hardware.



Recommended Surface Mount Hardware:
 3/8" x 3-1/2" Concrete Expansion Anchor Bolts
 (Not Included)

| ITEM NO. | PartNo | DESCRIPTION | Qty. |
|----------|------------|---|------|
| 1 | P-V940SM | 940 Surface Mount Leg | 4 |
| 2 | 33-05-0029 | 5/16" x 1" Machine Bolt (SS) | 20 |
| 3 | 33-02-0007 | 5/16" SS Washer | 40 |
| 4 | 33-03-0012 | 5/16" Kep Nut (SS) | 20 |
| 5 | RC90-S | 7-1/2' long x 10" wide regal expanded seat (1/2) | 4 |

Superior[®]
 RECREATIONAL PRODUCTS
A PLAYCORE Company

OVERALL DIMENSIONS

