

# Site Amenities

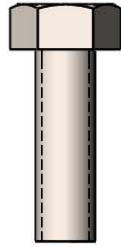
BY SUPERIOR RECREATIONAL PRODUCTS



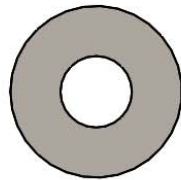
Model #  
B4MODCLASSPSM

 **SUPERIOR**<sup>®</sup>  
RECREATIONAL PRODUCTS  
A **PLAYCORE** Company

# HARDWARE



5/16" x 1"  
MACHINE BOLT

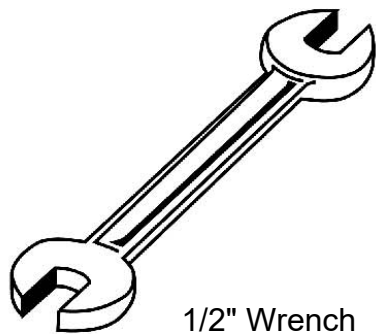


5/16" FLAT  
WASHER

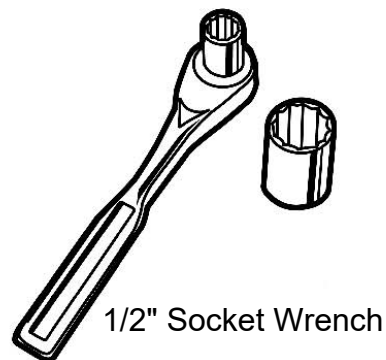


5/16" KEPNUT

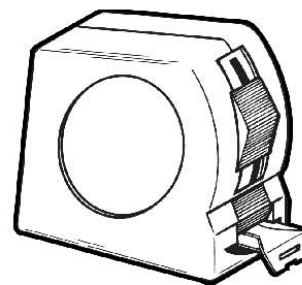
## TOOLS REQUIRED



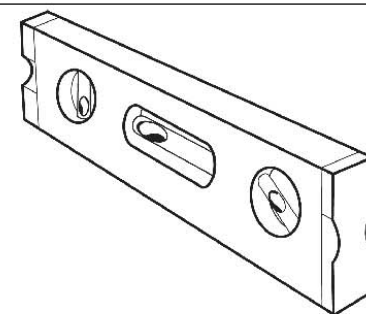
1/2" Wrench



1/2" Socket Wrench



Tape Measure



Level

# PRODUCT SPECIFICATIONS

## **B4MODCLASSPSM CLASSIC MODERN PORTABLE OR SURFACE MOUNT BENCH**

**Seats:** Seats dimensions are 30" x 4". 12 gauge piece of sheet steel is precision punched to create the pattern. End plates are made of 7 gauge flat steel plate. Reinforced with 3/16 x 1-1/2" flat strip. Electrically MIG welded.

**Coating:** Oven fused functionalized polyethylene copolymer-based thermoplastic. Fluidized bed coating application with superior mechanical performance, impact resistance and UV-stability.

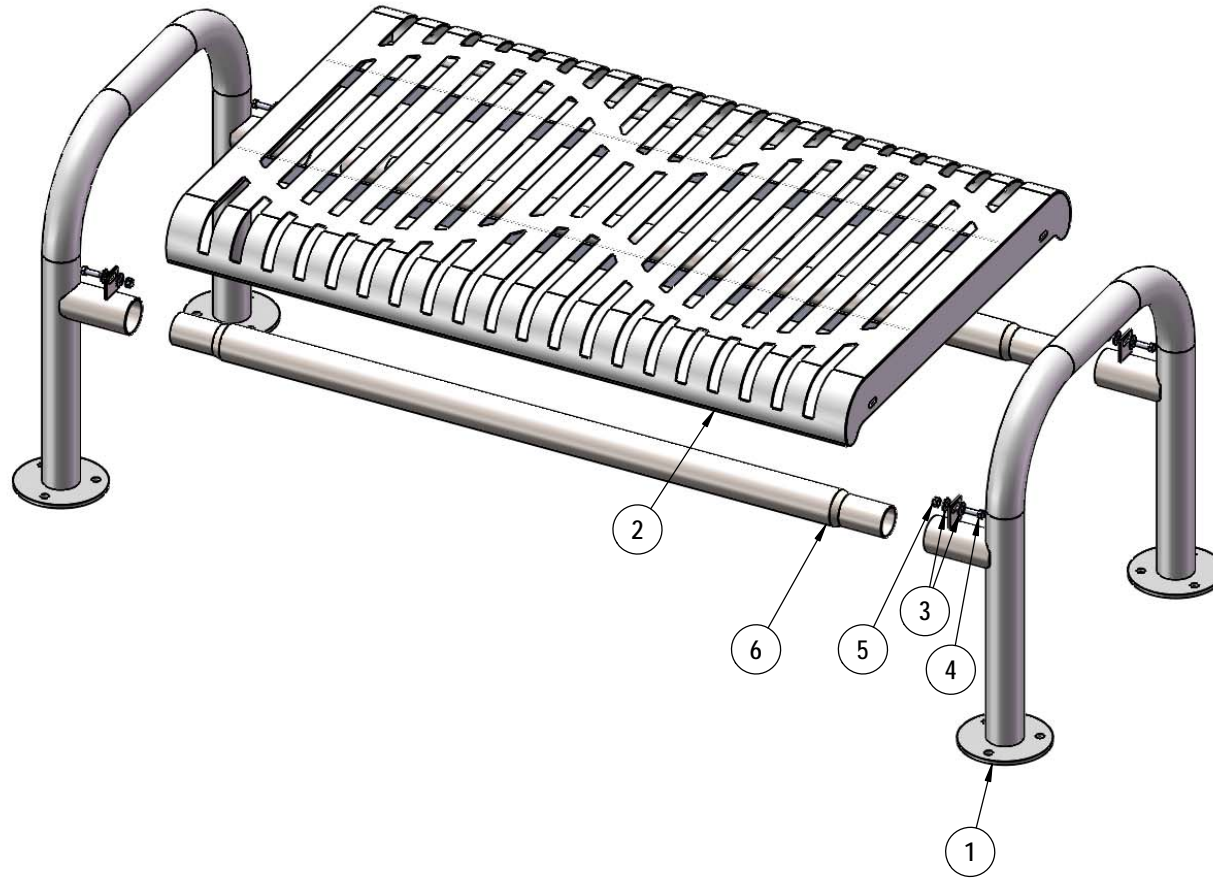
**Frame:** Legs are 2-3/8" O.D. x 10 gauge pre-galvanized structural steel tubing. Seat support is bent over a mandrel through the bend radius producing a wrinkle free bend. Tube ends are pre-galvanized steel capped. Seat mounting points are 7 gauge x 1-1/2" die stamped steel flat bar. Spreader bars are 2-3/8" O.D. x 10 gauge pre-galvanized structural steel tubing. A 6" diameter steel plate makes up the surface mount footing. The surface mount plate has three holes for stable mounting. All electrically MIG welded.

**Frame Coating:** Electrostatic powder coated application oven cured.

**Hardware:** All stainless steel hardware fasteners.

**Dimensions:** 4' portable or surface mount bench without back. Seats are 30" wide x 48" long. Seat height is 18" from the ground to the top of the seat. The overall dimensions are 57" x 30" x 25".

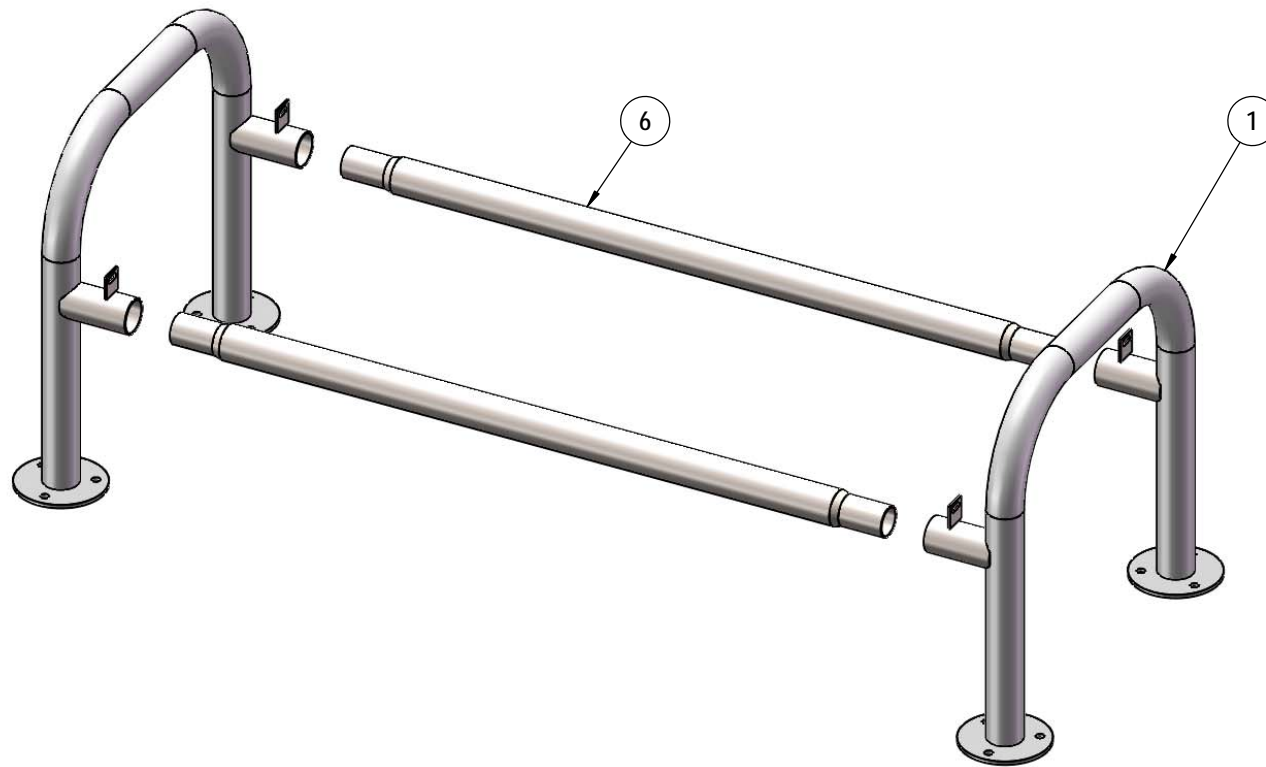
# COMPONENTS



ITEM NO.	PartNo	DESCRIPTION	Qty.
1	P-V966P	966 Portable Vinyl Leg	2
2	CM48FCT-S	4' classic modern flat contour	1
3	33-02-0007	5/16" SS Washer	8
4	33-05-0029	5/16" x 1" Machine Bolt (SS)	4
5	33-03-0012	5/16" Kep Nut (SS)	4
6	01-01-0307	4' spreader tube	2

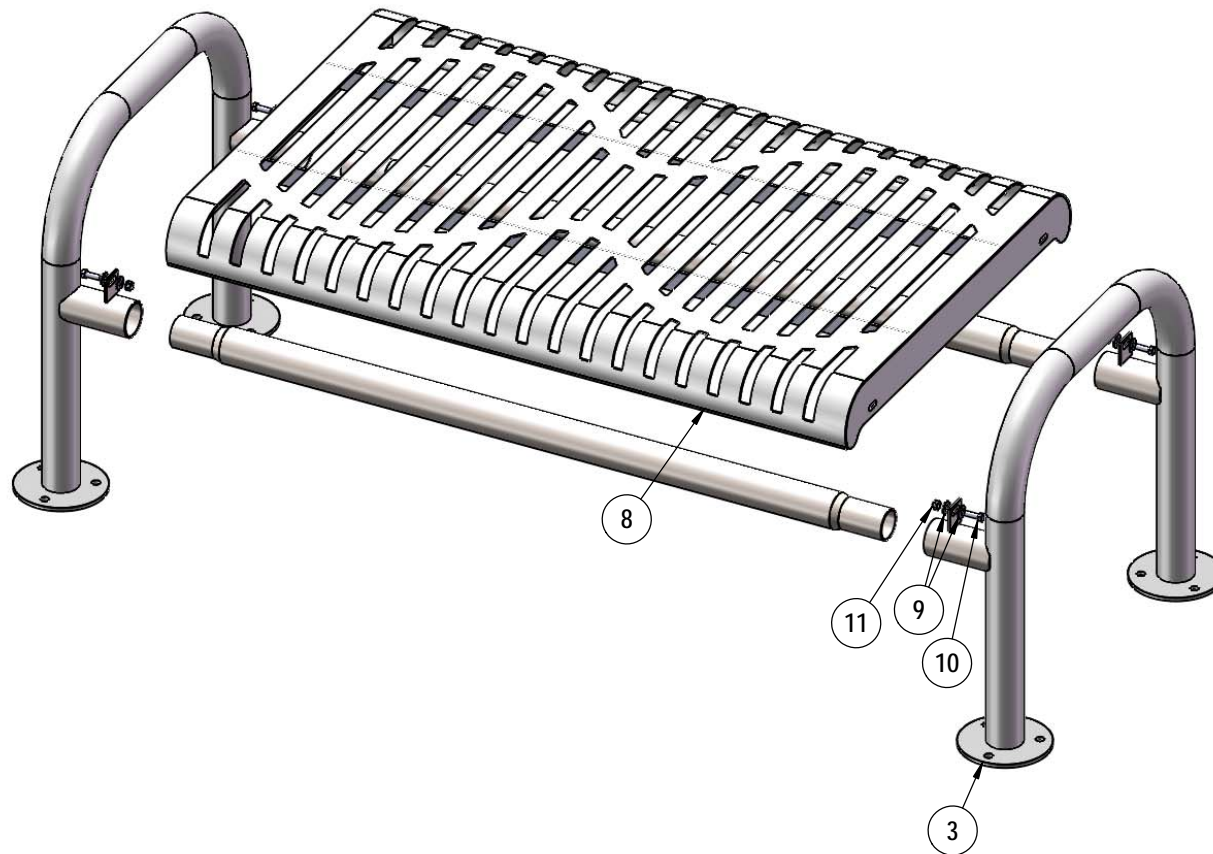
Optional Surface Mount Hardware:  
 3/8" x 3-1/2" Concrete Expansion Anchor Bolts  
 (Not Included)

# STEP 1



Slide the Spreader Tubes into the 966 Legs.

## STEP 2



Attach the contour seat to the 966 legs using specified hardware.

# OVERALL DIMENSIONS

