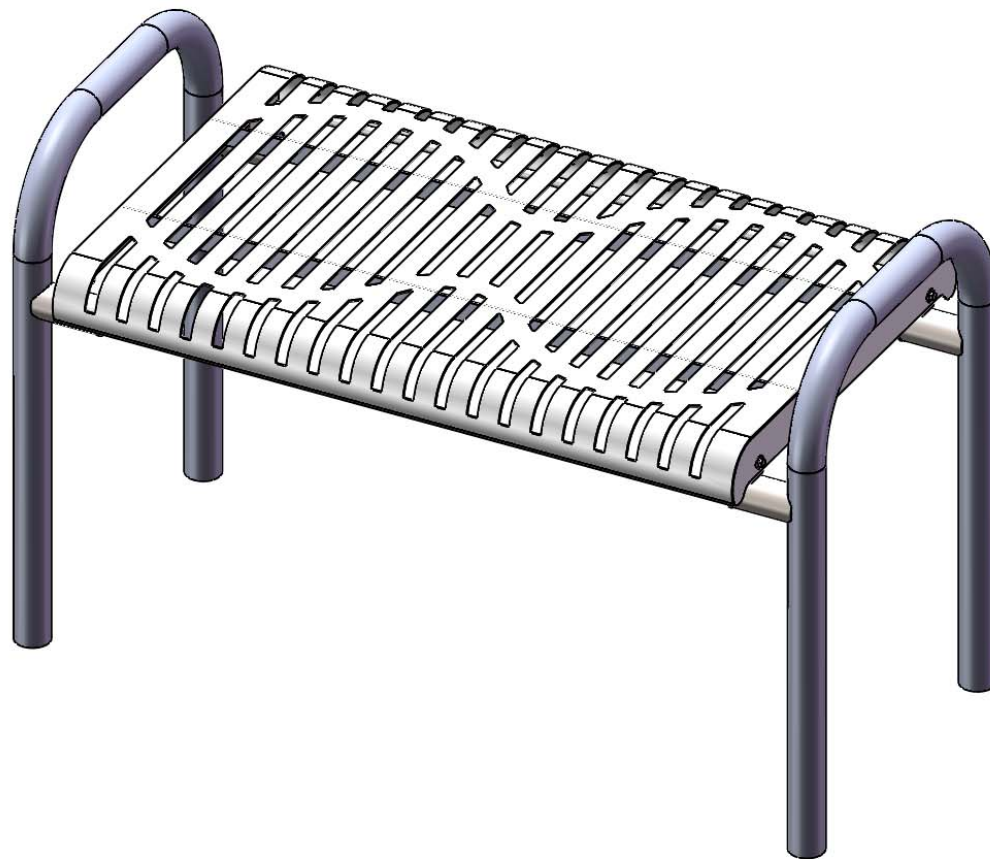


Site Amenities

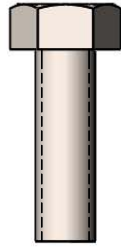
BY SUPERIOR RECREATIONAL PRODUCTS



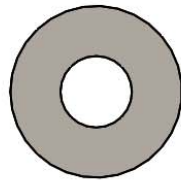
Model #
B4MODCLASSS

 **SUPERIOR**[®]
RECREATIONAL PRODUCTS
A **PLAYCORE** Company

HARDWARE



5/16" x 1"
MACHINE BOLT

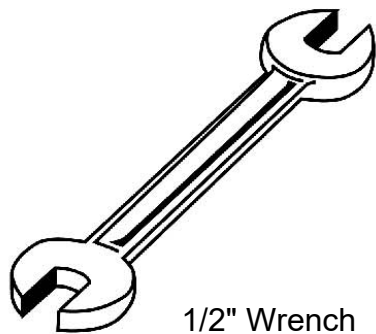


5/16" FLAT
WASHER

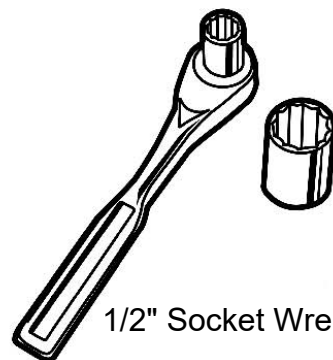


5/16" KEPNUT

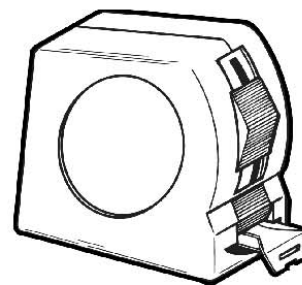
TOOLS REQUIRED



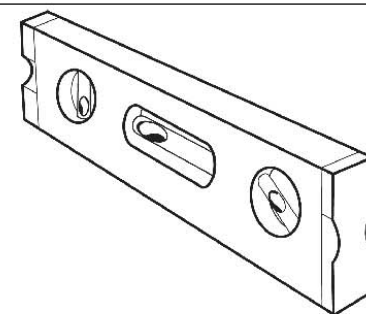
1/2" Wrench



1/2" Socket Wrench



Tape Measure



Level

PRODUCT SPECIFICATIONS

B4MODCLASSS CLASSIC MODERN INGROUND MOUNT BENCH

Seats: Seats dimensions are 30" x 4". 12 gauge piece of sheet steel is precision punched to create the pattern. End plates are made of 7 gauge flat steel plate. Reinforced with 3/16 x 1-1/2" flat strip. Electrically MIG welded.

Coating: Oven fused functionalized polyethylene copolymer-based thermoplastic. Fluidized bed coating application with superior mechanical performance, impact resistance and UV-stability.

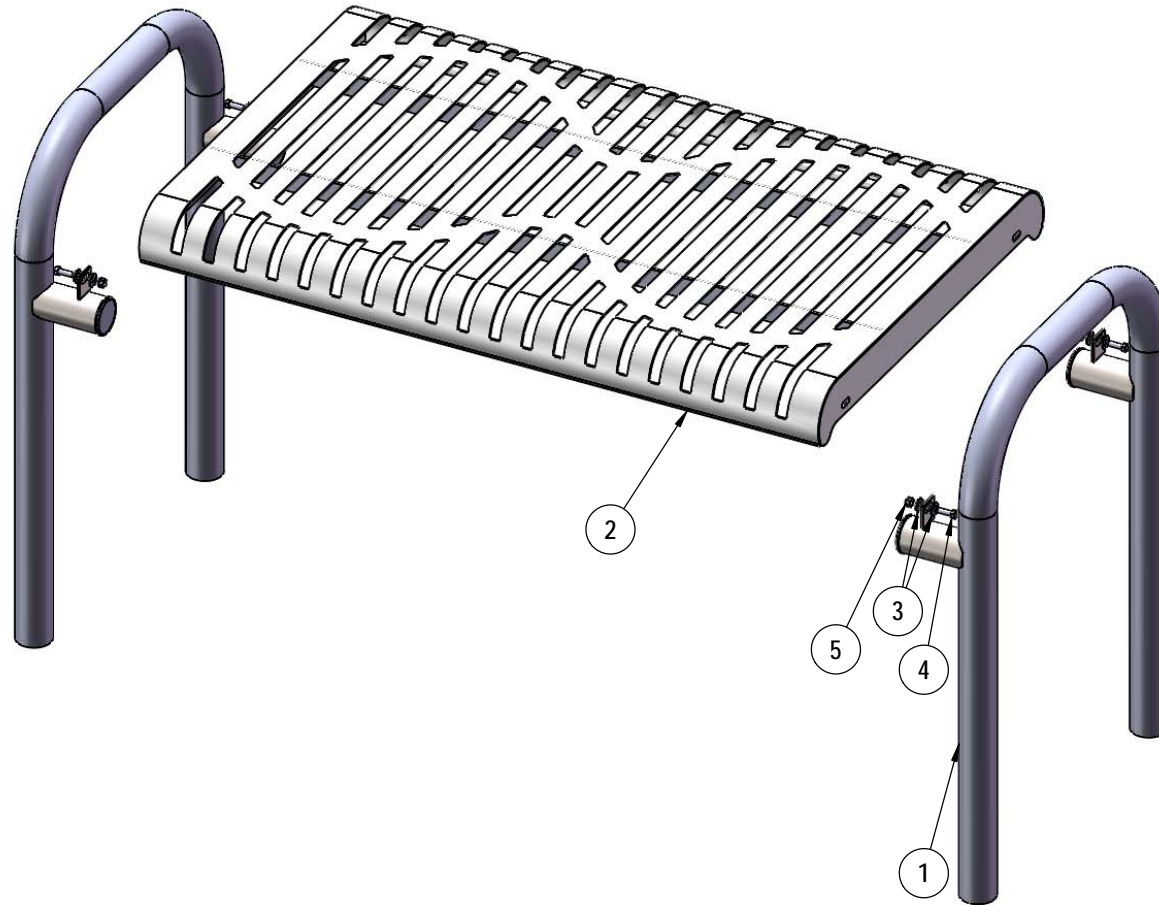
Frame: Legs are 2-3/8" O.D. x 10 gauge pre-galvanized structural steel tubing. Seat support is bent over a mandrel through the bend radius producing a wrinkle free bend. Tube ends are pre-galvanized steel capped. Seat mounting points are 7 gauge x 1-1/2" die stamped steel flat bar. All electrically MIG welded.

Frame Coating: Electrostatic powder coated application oven cured.

Hardware: All stainless steel hardware fasteners.

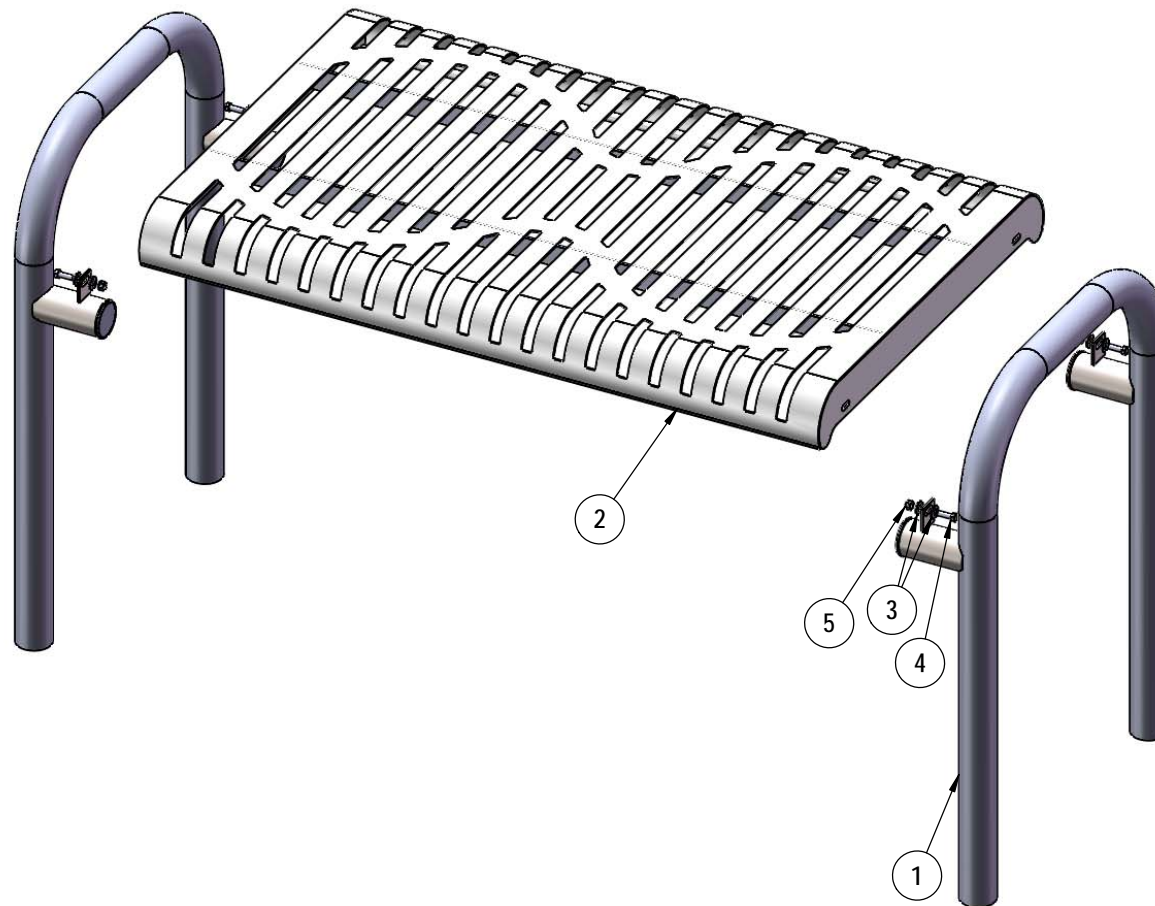
Dimensions: 4' inground mount bench without back. Seats are 30" wide x 48" long. Seat height is 18" from the ground to the top of the seat. The overall dimensions are 57" x 30" x 36-1/4".

COMPONENTS



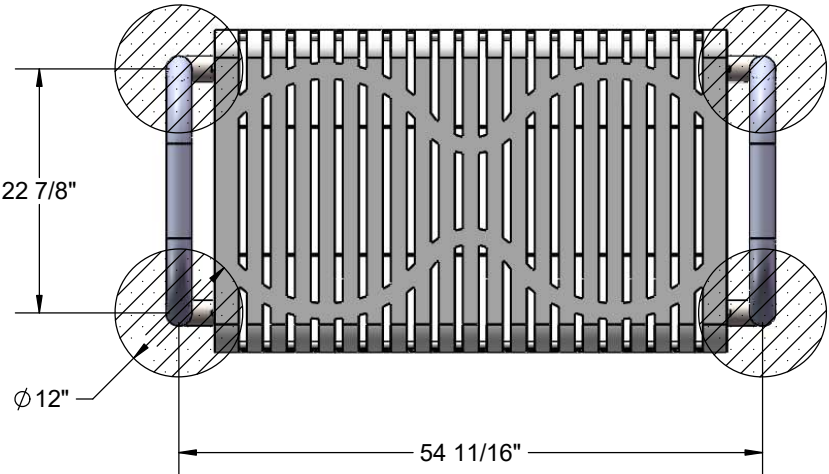
ITEM NO.	PartNo	DESCRIPTION	Qty.
1	P-V966S	966 In Ground Vinyl Leg	2
2	CM48FCT-S	4' classic modern flat contour	1
3	33-02-0007	5/16" SS Washer	8
4	33-05-0029	5/16" x 1" Machine Bolt (SS)	4
5	33-03-0012	5/16" Kep Nut (SS)	4

STEP 2

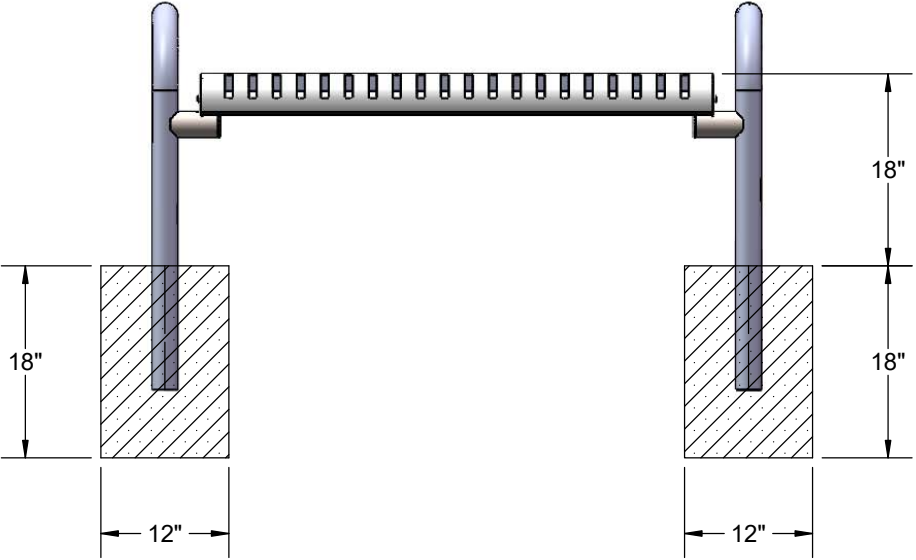


Attach the contour seat to the 966 legs using specified hardware.

FOOTINGS



Estimated Required Concrete:
13 - 50 lb. Bags of Concrete Mix



OVERALL DIMENSIONS

