

Site Amenities

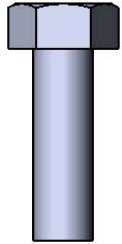
BY SUPERIOR RECREATIONAL PRODUCTS



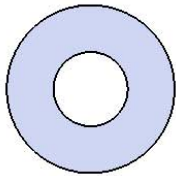
Model #
B4WBACS

 **SUPERIOR**[®]
RECREATIONAL PRODUCTS
A **PLAYCORE** Company

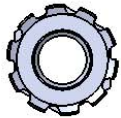
HARDWARE



5/16" x 1"
Machine Bolt

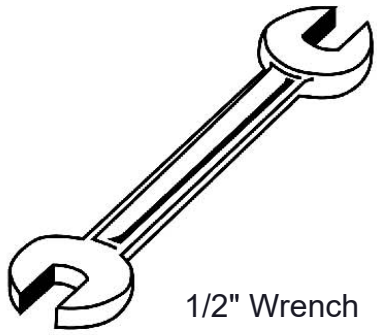


5/16" Washer

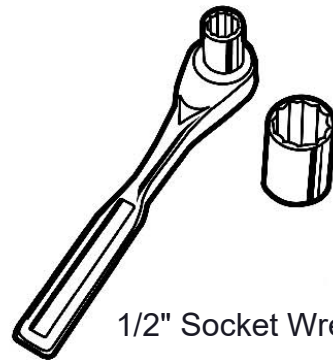


5/16" Keeplow Nut

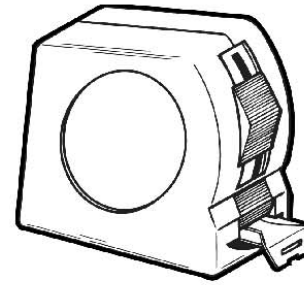
TOOLS REQUIRED



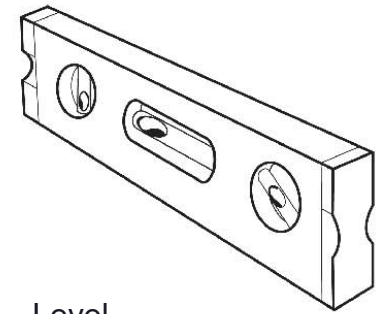
1/2" Wrench



1/2" Socket Wrench



Tape Measure



Level

PRODUCT SPECIFICATIONS

B4WBACS ACADIA INGROUND MOUNT BENCH WITH BACK

Seats & Back: Seat and Back shall be made from 1-5/8" OD x 13ga steel tube and 1/4" x 4" flat steel plate. The ends shall be 1/4" thick steel plate. Electrically MIG welded.

Coating: Steel is sandblasted to near white condition. Coated with zinc rich epoxy primer and top coated with electrostatic powder coat, oven cured.

Frame: 2-3/8" O.D. x 12 gauge pre-galvanized structural steel tubing. Seat/back support is bent over a mandrel through the bend radius producing a wrinkle free bend. Tube ends are pre-galvanized steel capped. Seat mounting points are 7 gauge x 1-1/2" die stamped steel flat bar. A 4" x 12" steel plate makes up the surface mount footing. The inground mount shall be made from 1-5/8" O.D. x 13 gauge tubing and a 4" x 12" steel plate with 5/16" carriage bolts. All electrically MIG welded.

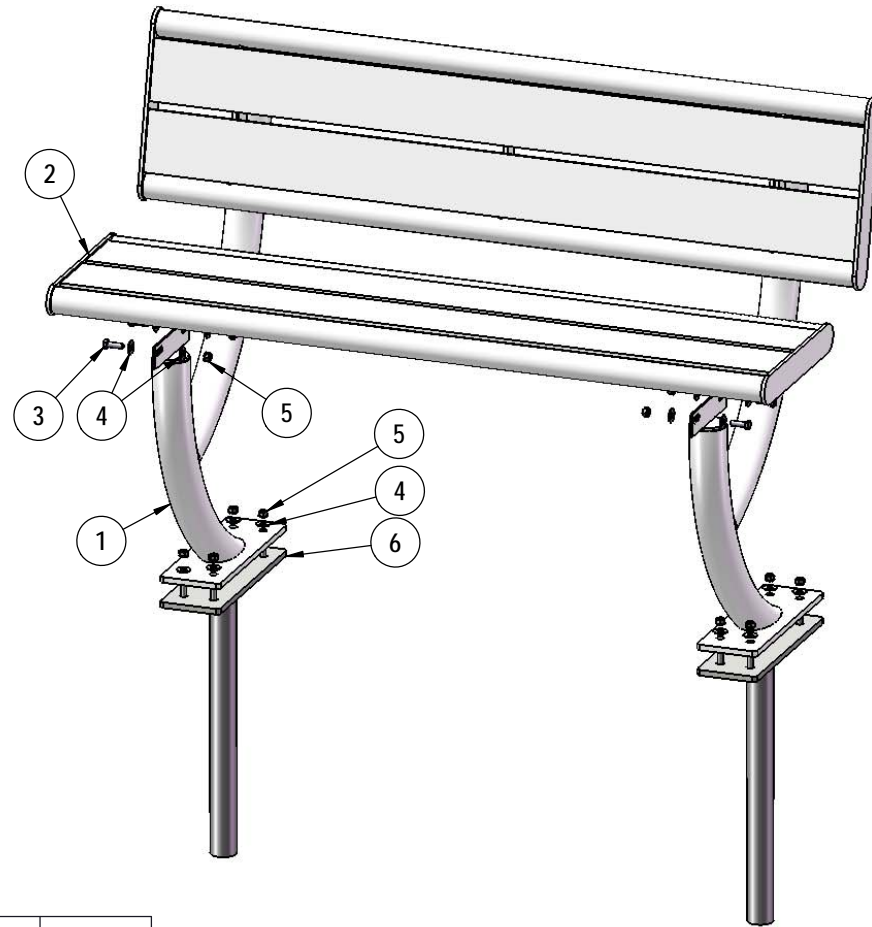
Frame Coating: Steel is sandblasted to near white condition. Coated with zinc rich epoxy primer and top coated with electrostatic powder coat, oven cured.

Hardware: All stainless steel hardware fasteners.

Dimensions: 4' inground mount bench with back. Seats and backs are 12-3/16" wide x 48" long. Seat height from ground is 18-3/8", seat back height from ground is 34-3/16". Overall dimensions are 48" x 22-3/16" x 52-9/16"

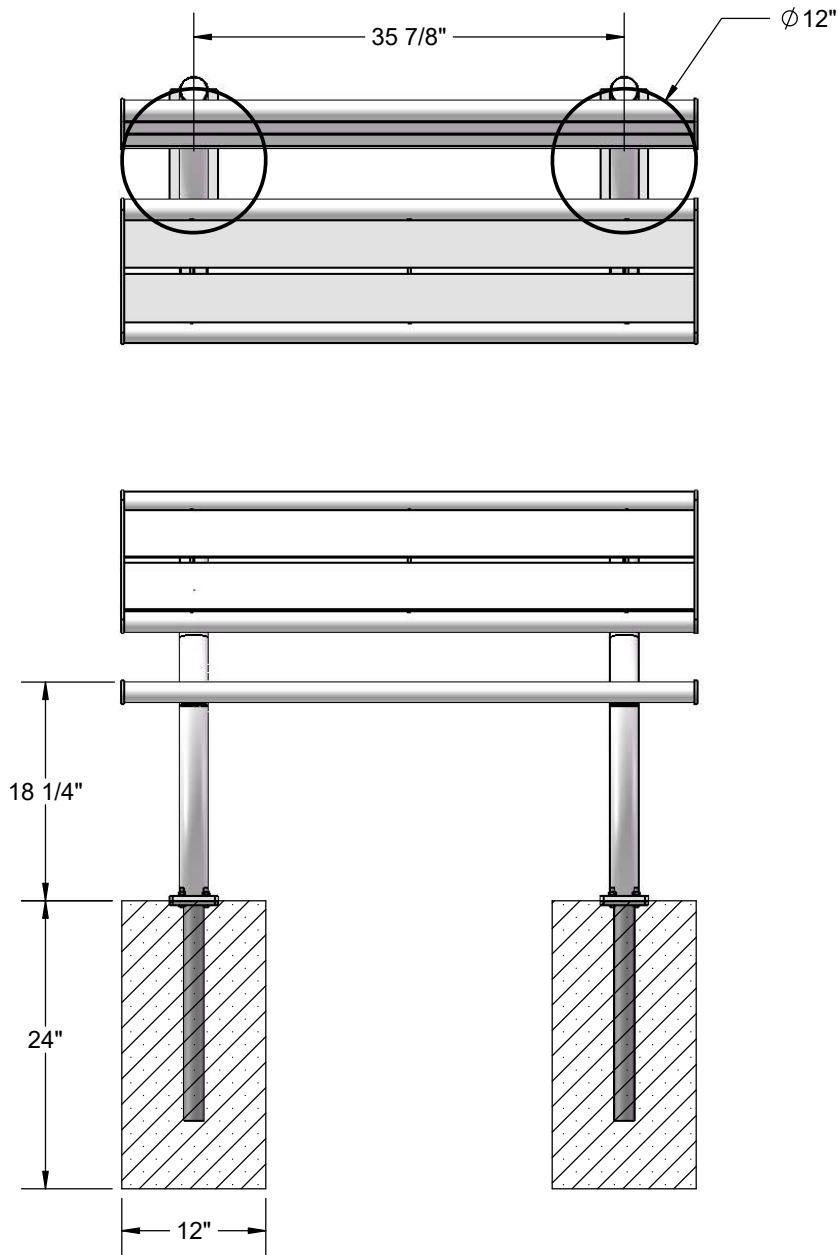
COMPONENTS

Attach the 4' Seat and Back to the legs using specified hardware. Then attach the Inground footers to the bottom of the legs.



ITEM NO.	PartNo	DESCRIPTION	QTY
1	01-01-0685	Hartford With Back Leg	2
2	01-01-0691	Hartford 4' Seat/Back Plank	2
3	33-05-0029	5/16" x 1" Machine Bolt (SS)	8
4	33-02-0007	5/16" SS Washer	24
5	33-03-0012	5/16" Kep Nut (SS)	16
6	01-01-0693	Hartford Inground Footer	2

FOOTINGS



Estimated Required Concrete:
11- 50lb Bags on Concrete Mix

OVERALL DIMENSIONS

