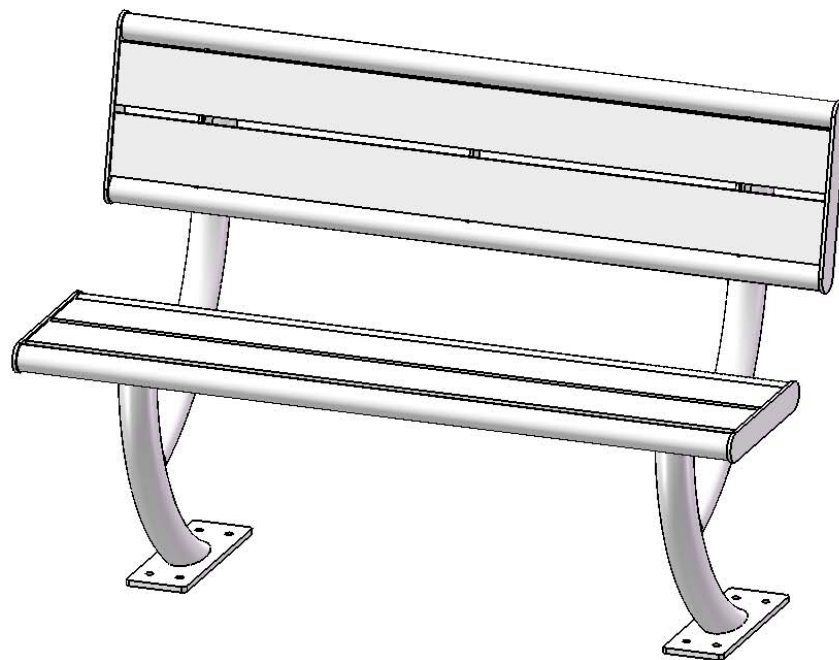


Site Amenities

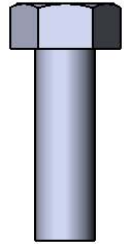
BY SUPERIOR RECREATIONAL PRODUCTS



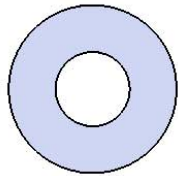
Model #
B4WBACSM

 **SUPERIOR**[®]
RECREATIONAL PRODUCTS
A **PLAYCORE** Company

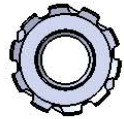
HARDWARE



5/16" x 1"
Machine Bolt

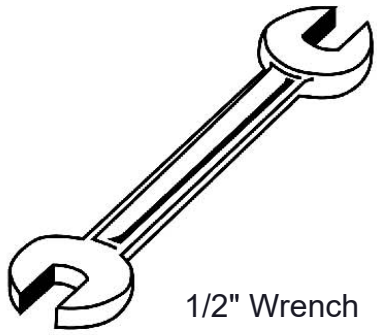


5/16" Washer

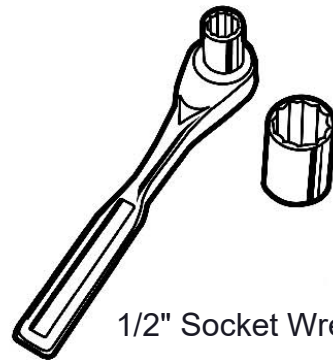


5/16" Kep Nut

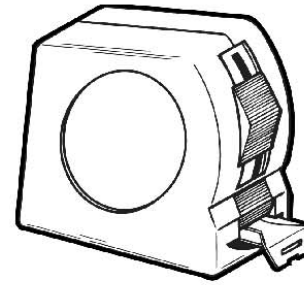
TOOLS REQUIRED



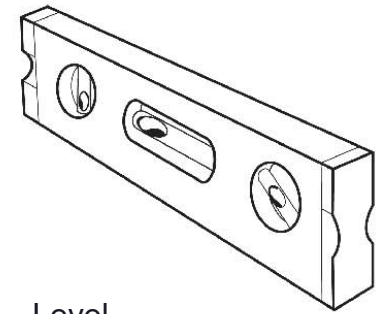
1/2" Wrench



1/2" Socket Wrench



Tape Measure



Level

PRODUCT SPECIFICATIONS

B4WBACSM ACADIA SURFACE MOUNT BENCH WITH BACK

Seats & Back: Seat and Back shall be made from 1-5/8" OD x 13ga steel tube and 1/4" x 4" flat steel plate. The ends shall be 1/4" thick steel plate. Electrically MIG welded.

Coating: Steel is sandblasted to near white condition. Coated with zinc rich epoxy primer and top coated with electrostatic powder coat, oven cured.

Frame: 2-3/8" O.D. x 12 gauge pre-galvanized structural steel tubing. Seat/back support is bent over a mandrel through the bend radius producing a wrinkle free bend. Tube ends are pre-galvanized steel capped. Seat mounting points are 7 gauge x 1-1/2" die stamped steel flat bar. A 4" x 12" steel plate makes up the surface mount footing. The surface mount plate has four holes for stable mounting. All electrically MIG welded.

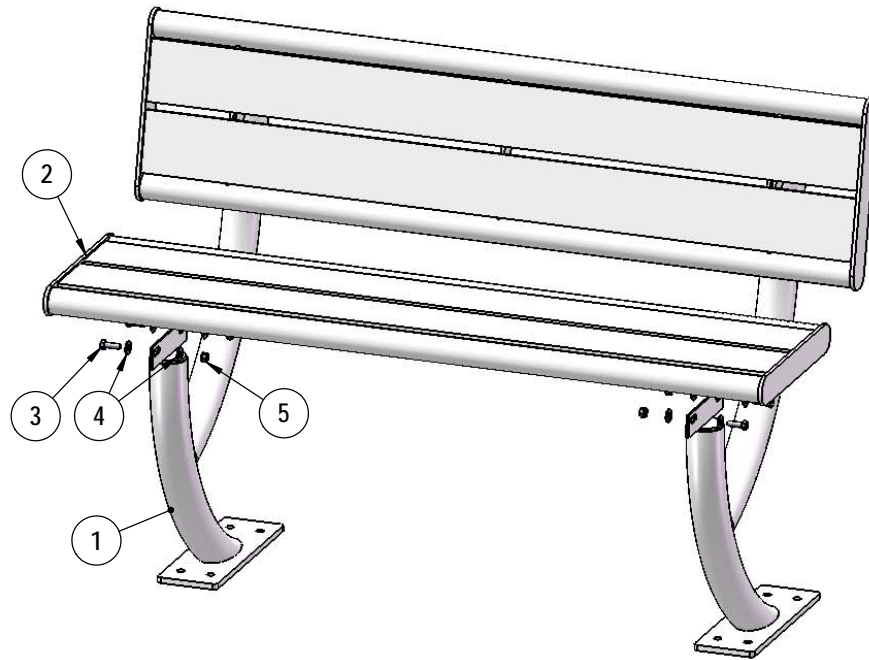
Frame Coating: Steel is sandblasted to near white condition. Coated with zinc rich epoxy primer and top coated with electrostatic powder coat, oven cured.

Hardware: All stainless steel hardware fasteners.

Dimensions: 4' surface mount bench with back. Seats and backs are 12-3/16" wide x 48" long. Seat height is 18-3/8", seat back height is 34-3/16". Total depth of seat with back is 22-3/16".

COMPONENTS

Attach the 4' Seat and Back to the legs using specified hardware.



Recommended Surface Mount Hardware:
3/8" x 3-1/2" Concrete Expansion Anchor Bolts
(Not Included)

| ITEM NO. | PartNo | DESCRIPTION | QTY |
|----------|------------|------------------------------|-----|
| 1 | 01-01-0685 | Hartford With Back Leg | 2 |
| 2 | 01-01-0691 | Hartford 4' Seat/Back Plank | 2 |
| 3 | 33-05-0029 | 5/16" x 1" Machine Bolt (SS) | 8 |
| 4 | 33-02-0007 | 5/16" SS Washer | 16 |
| 5 | 33-03-0012 | 5/16" Kep Nut (SS) | 8 |

OVERALL DIMENSIONS

