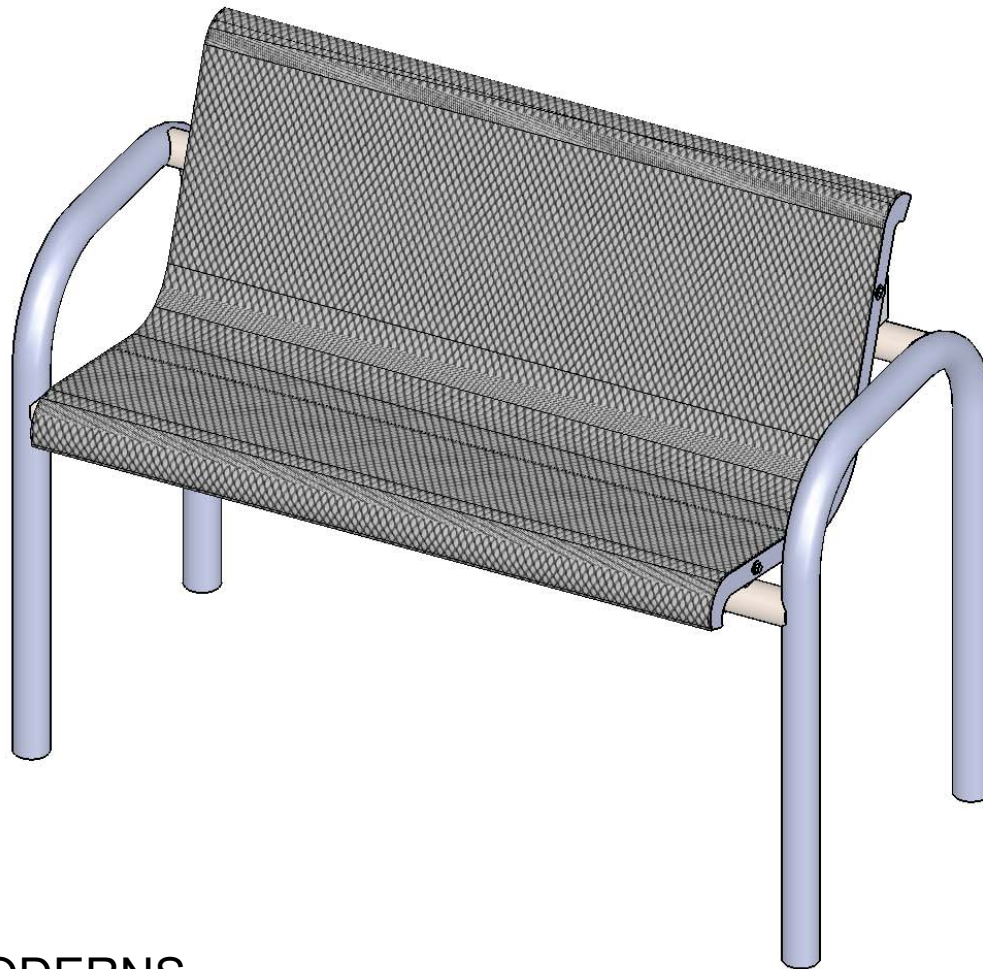


# Site Amenities

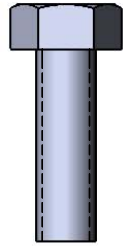
BY SUPERIOR RECREATIONAL PRODUCTS



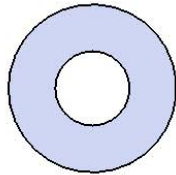
MODEL # B4WBMODERNS

**S** SUPERIOR<sup>®</sup>  
RECREATIONAL PRODUCTS  
A PLAYCORE Company

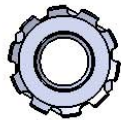
# HARDWARE



5/16" x 1"  
Machine Bolt



5/16" Washer



5/16" Kep Nut

# PRODUCT SPECIFICATIONS

## **B4WBMODERNS INGROUND CONTOURED BENCH WITH BACK**

Seats: Seats dimensions are 24-3/4" x 15-1/8". 3/4" #9 steel expanded metal. End plates are made of 7 gauge flat steel plate. Reinforced with 3/16 x 1-1/2" flat strip. Electrically MIG welded.

Coating: Oven fused functionalized polyethylene copolymer-based thermoplastic. Fluidized bed coating application with superior mechanical performance, impact resistance and UV-stability.

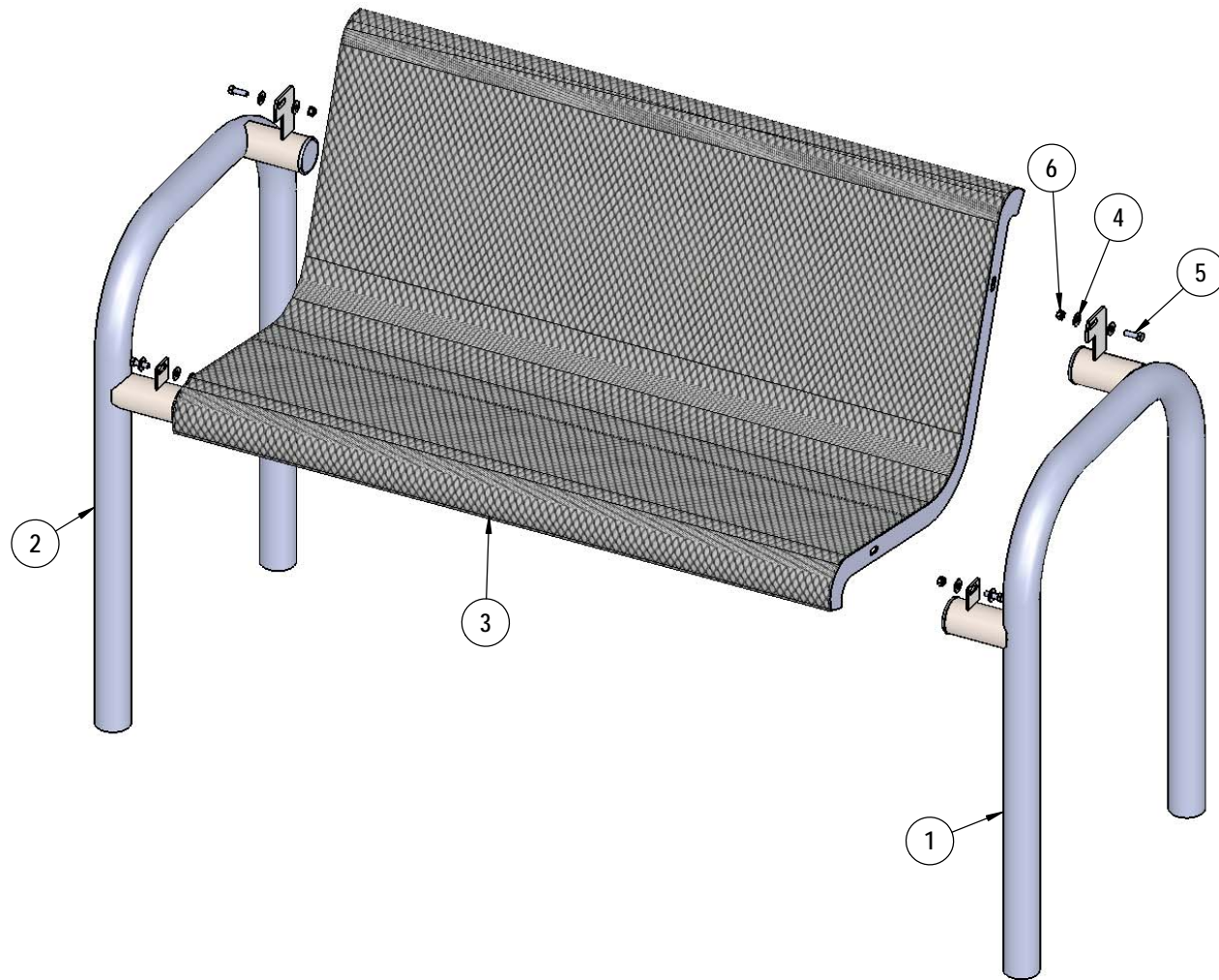
Frame: Legs are 2-3/8" O.D. x 10 gauge pre-galvanized structural steel tubing. Seat support is bent over a mandrel through the bend radius producing a wrinkle free bend. Tube ends are pre-galvanized steel capped. Seat mounting points are 7 gauge x 1-1/2" die stamped steel flat bar. Spreader bars are 2-3/8" O.D. x 10 gauge pre-galvanized structural steel tubing. All electrically MIG welded.

Frame Coating: Electrostatic powder coated application oven cured.

Hardware: All stainless steel hardware fasteners.

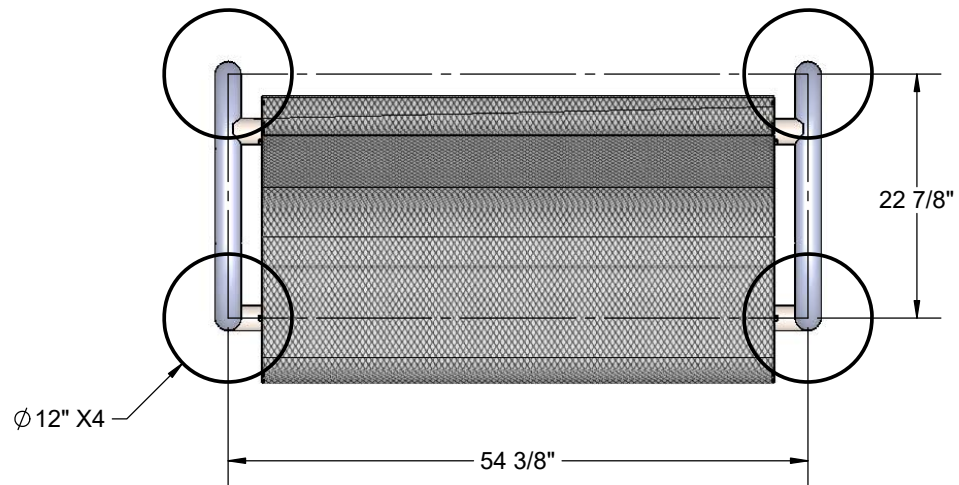
Dimensions: 4' inground bench with back. Seats are 27" wide x 48" long. Seat height is 18" from the ground to the top of the seat. The overall dimensions are 56-1/2" x 30-1/4" x 33-1/2".

# COMPONENTS

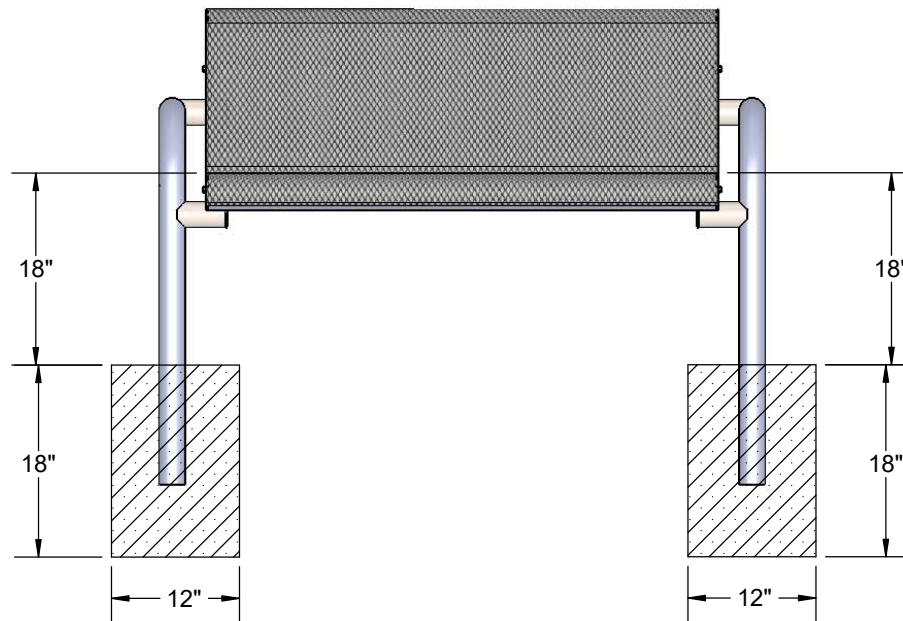


ITEM NO.	PartNo	DESCRIPTION	QTY
1	P-V965S-L	965S LH LEG	1
2	P-V965S-R	965S RH LEG	1
3	T-V48CT-S	4' Expanded Contour Seat	1
4	33-02-0007	5/16" SS Washer	8
5	33-05-0029	5/16" x 1" Machine Bolt (SS)	4
6	33-03-0012	5/16" Kep Nut (SS)	4

# FOOTINGS



Estimated Required Concrete:  
13 - 50lb Bags of Concrete Mix



# OVERALL DIMENSIONS

