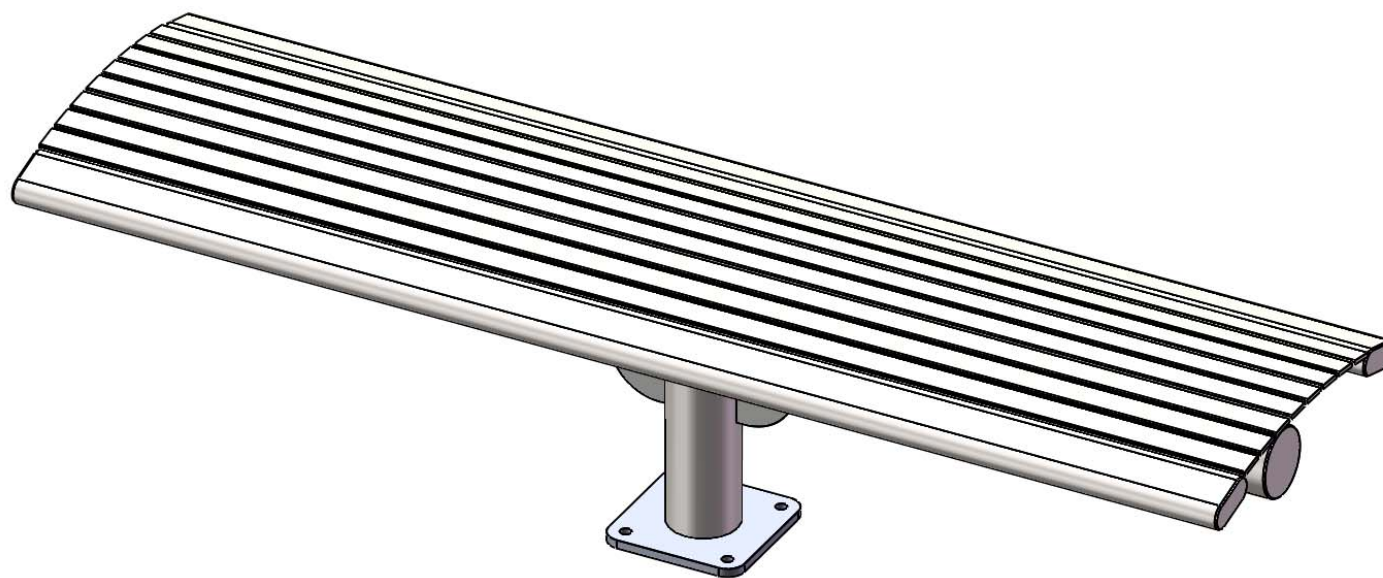


Site Amenities

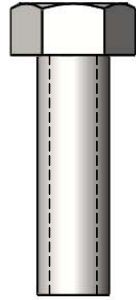
BY SUPERIOR RECREATIONAL PRODUCTS



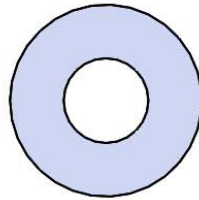
Model # B6ARSM-ST-CANT

 **SUPERIOR**[®]
RECREATIONAL PRODUCTS
A **PLAYCORE** Company

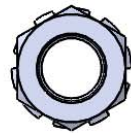
HARDWARE



3/8" x 1-1/4"
MACHINE BOLT



3/8" FLAT
WASHER



3/8" KEPNUT

ULTRA SITE PRODUCT SPECIFICATIONS

69SM-HS6 6' CANTILEVER SURFACE MOUNT BENCH

Seat: Is fabricated from 1 ½" x ¼" flat steel strips. Reinforced with ¼" thick support ribs. End Planks are made from 1-1/2" x 3-1/2" steel oval tubing.

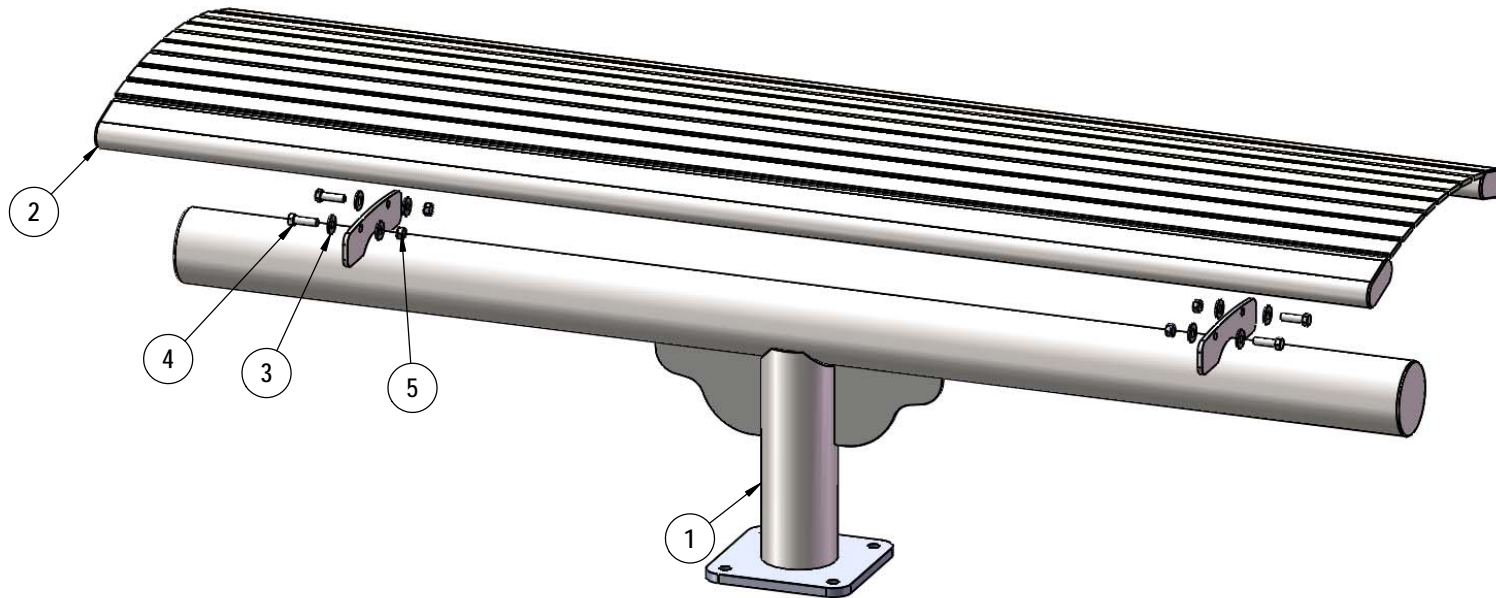
Frame: 4" diameter x 11 gauge structural steel tubing. Attachment plates are ¼" thick flat steel. Surface Mount (SM) plates are made from ½" thick flat steel. All electrically MIG welded.

Coating: Steel is sandblasted to near white condition. Coated with zinc rich epoxy primer and top coated with electrostatic powder coat, oven cured.

Dimensions: 6' surface mounted bench without back. Seat is 20" wide x 71" long. Seat height is 17-5/8" from the ground to the top of the seat. The overall dimensions are 71" x 20" x 17-5/8"

COMPONENTS

Attach the 6' seats to the 69 Bench Legs using specified hardware.



Recommended Surface Mount Hardware: 1/2"
x 3-1/2" Concrete Expansion Anchor Bolts
(Not Included)

ITEM NO.	PartNo	DESCRIPTION	Qty.
1	01-01-0914	69 Bench Leg - SM	1
2	P-01-01-0415	8' Richmond Series Seat	1
3	33-02-0008	3/8" Flat Washer (SS)	8
4	33-05-0078	3/8" x 1 1/4" Machine Bolt (SS)	4
5	33-03-0013	3/8" Kep Nut (SS)	4

OVERALL DIMENSIONS

