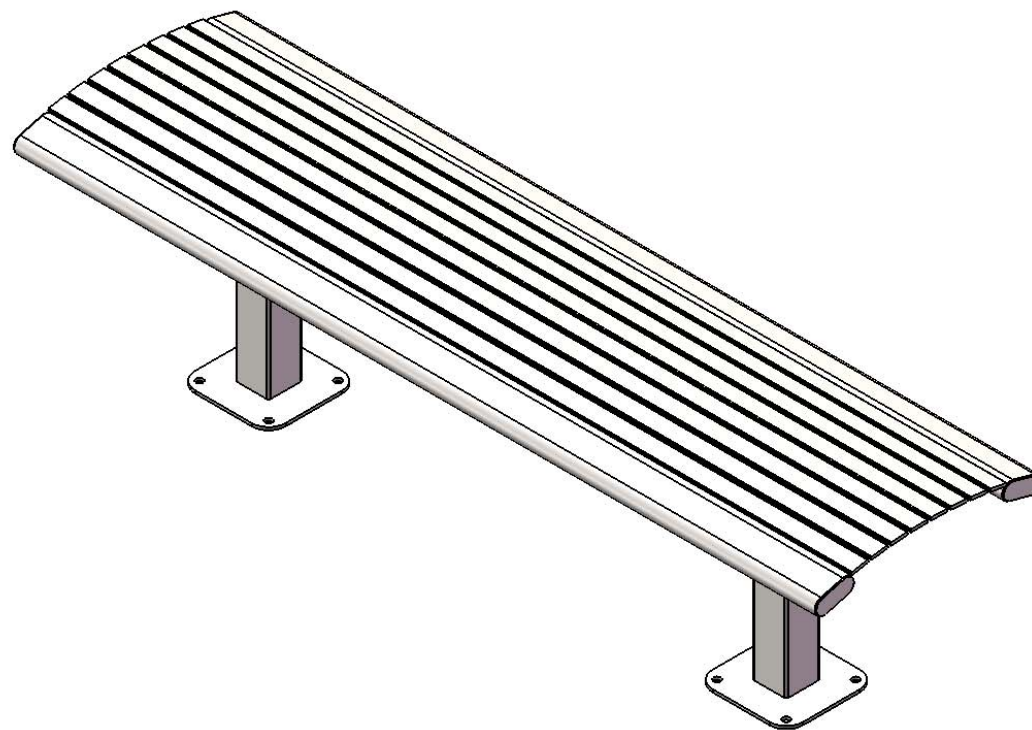


# Site Amenities

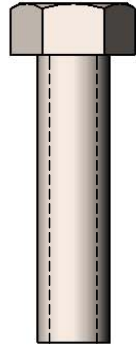
BY SUPERIOR RECREATIONAL PRODUCTS



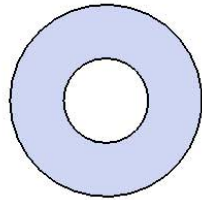
Model #  
B6ARSM-ST

 **SUPERIOR**<sup>®</sup>  
RECREATIONAL PRODUCTS  
A **PLAYCORE** Company

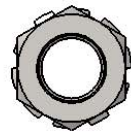
# HARDWARE



3/8" x 1-1/2"  
MACHINE BOLT

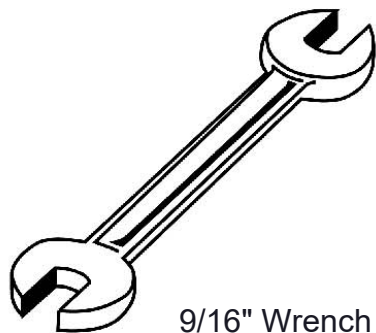


3/8" FLAT WASHER



3/8" KEPNUT

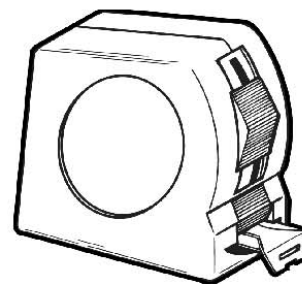
## TOOLS REQUIRED



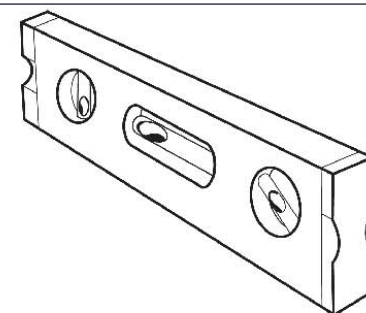
9/16" Wrench



9/16" Socket Wrench



Tape Measure



Level

# PRODUCT SPECIFICATIONS

## **B6ARSM-ST ARCHES SURFACE MOUNT BENCH**

**Seat:** Is fabricated from 1 ½" x ¼" flat steel strips. Reinforced with 1/4" thick support ribs. End Planks are made from 1-1/2" x 3-1/2" steel oval tubing.

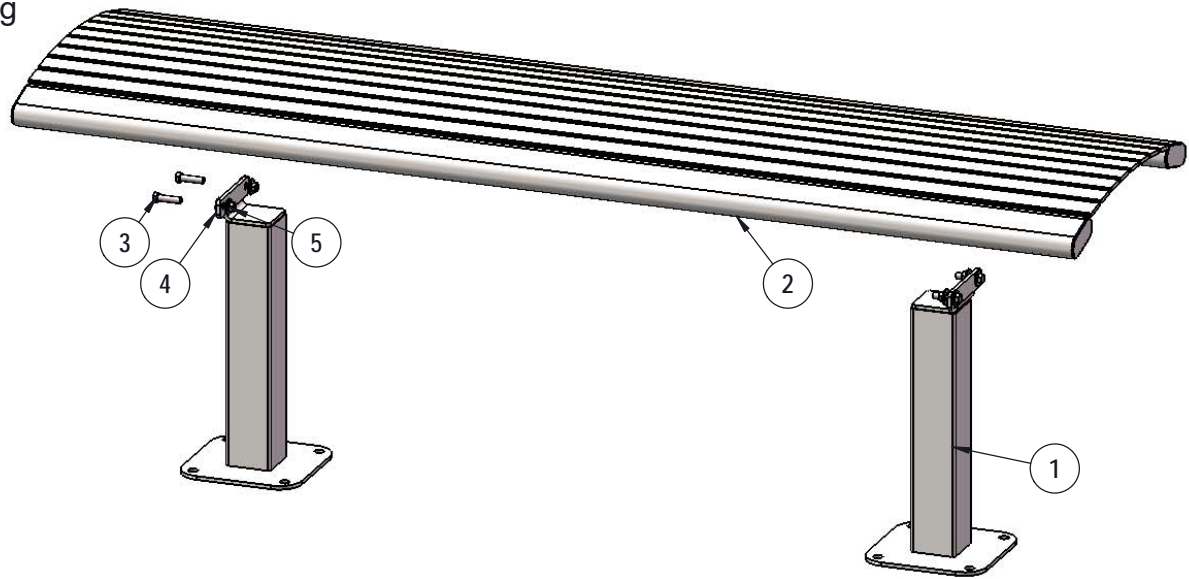
**Frame:** 3" x 3" square x11 gauge structural steel tubing. Surface Mount (SM) plates are made from 1/4" thick material. All electrically MIG welded.

**Coating:** Electrostatic powder coated application oven cured.

**Dimensions:** 6' surface mounted bench without back. Seat is 20" wide x 71" long. Seat height is 18-7/8" from the ground to the top of the seat. The overall dimensions are 71" x 20" x 18-7/8"

# COMPONENTS

Attach the seats to the frames using specified hardware.



Recommended Surface Mount Hardware: 3/8" x 3-1/2" Concrete Expansion Anchor Bolts (Not Included)

| ITEM NO. | PartNo       | DESCRIPTION                     | QTY |
|----------|--------------|---------------------------------|-----|
| 1        | P-01-01-0417 | 82 Series SM Leg                | 2   |
| 2        | P-01-01-0415 | 6' Richmond Series Seat         | 1   |
| 3        | 33-05-0049   | 3/8" x 1 1/2" Machine Bolt (SS) | 4   |
| 4        | 33-02-0008   | 3/8" Flat Washer (SS)           | 8   |
| 5        | 33-03-0013   | 3/8" Kep Nut (SS)               | 4   |

# OVERALL DIMENSIONS

