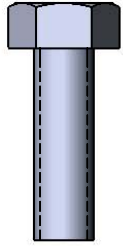
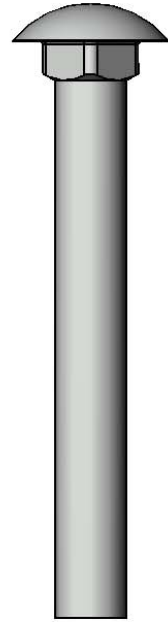


Model # B6RCP

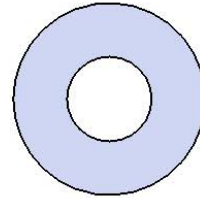
HARDWARE



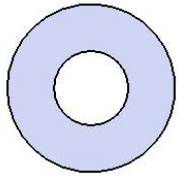
5/16" x 1"
Machine Bolt



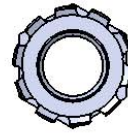
3/8" x 3"
Carriage Bolt



3/8" Washer



5/16" Washer

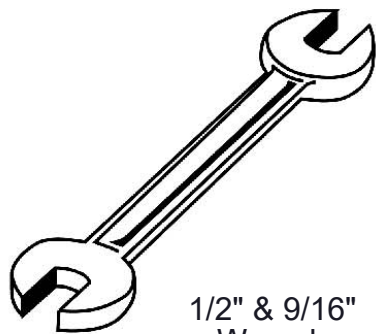


3/8" Keps Nut

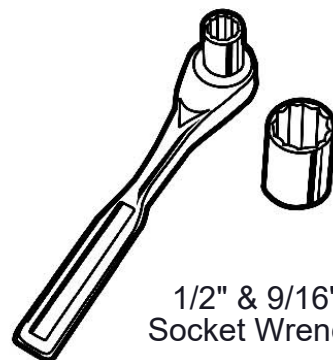


5/16" Keps Nut

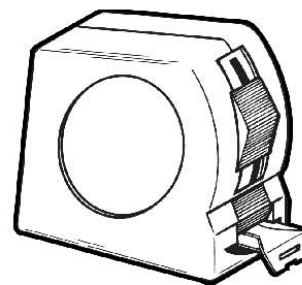
TOOLS REQUIRED



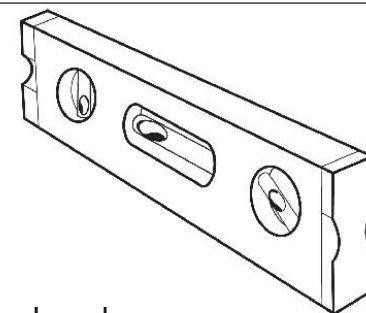
1/2" & 9/16"
Wrench



1/2" & 9/16"
Socket Wrench



Tape Measure



Level

PRODUCT SPECIFICATIONS

B6RCP PORTABLE BENCH WITHOUT BACK

Seats: Angle frame made with 2" x 2" x 1/8" structural steel angle. 3/4" #9 steel expanded metal. 10 gauge x 1-1/2" flat bar center support and mounting bracket understructure. Electrically MIG welded.

Coating: Oven fused functionalized polyethylene copolymer-based thermoplastic. Fluidized bed coating application with superior mechanical performance, impact resistance and UV-stability.

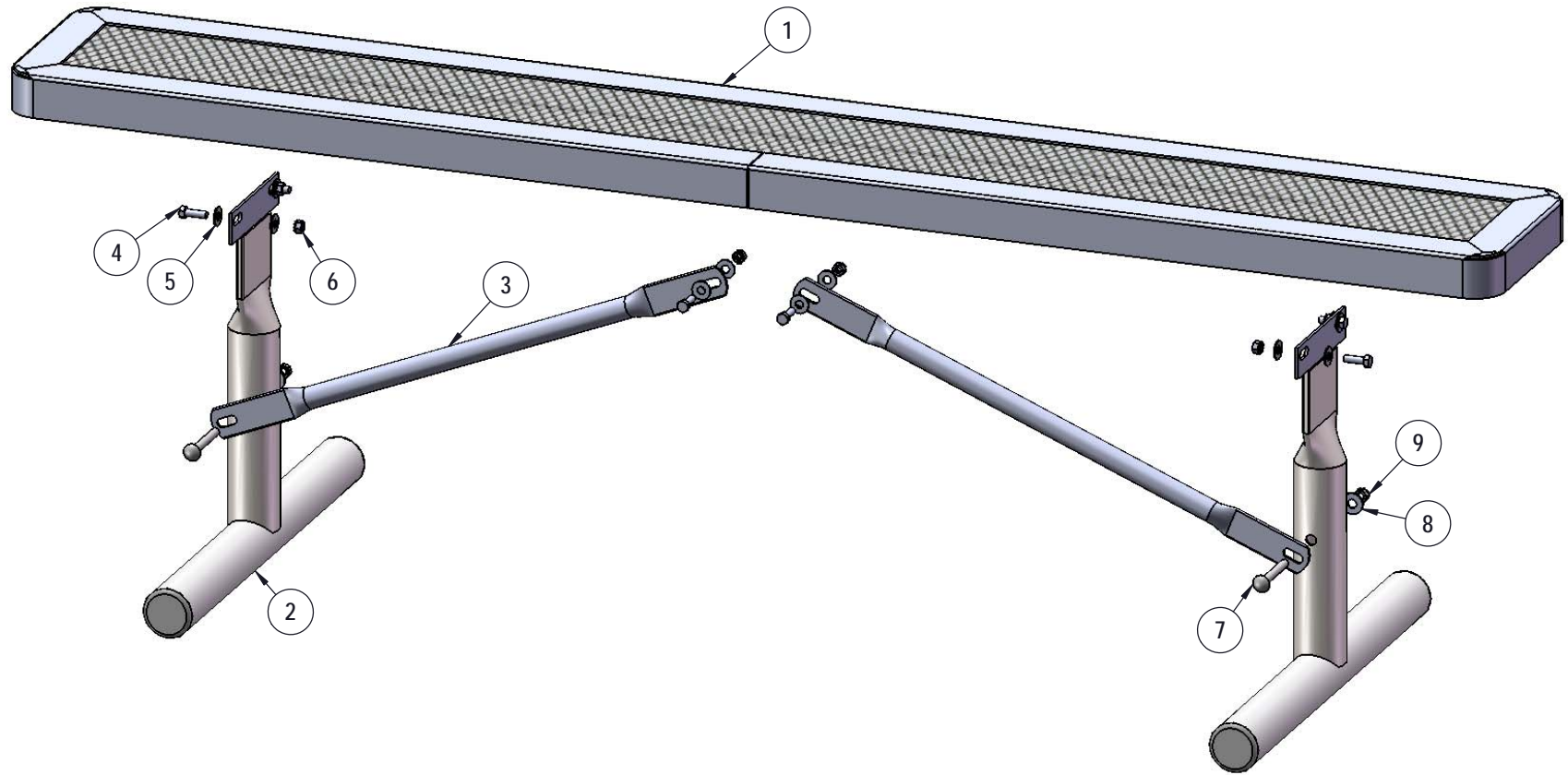
Frame: 2-3/8" O.D. x 12 gauge pre-galvanized structural steel tubing. Tube ends are pre-galvanized steel capped. Seat mounting points are 7 gauge x 1-1/2" die stamped steel flat bar. Cross braces are 1" O.D. x 16 gauge pre-galvanized structural steel tubing. All electrically MIG welded.

Frame Coating: Electrostatic powder coated application oven cured.

Hardware: All stainless steel hardware fasteners.

Dimensions: 6' bench portable without back. Seats are 10" wide x 72" long. Seat height is 18-5/16". Total depth of seat is 22-3/8".

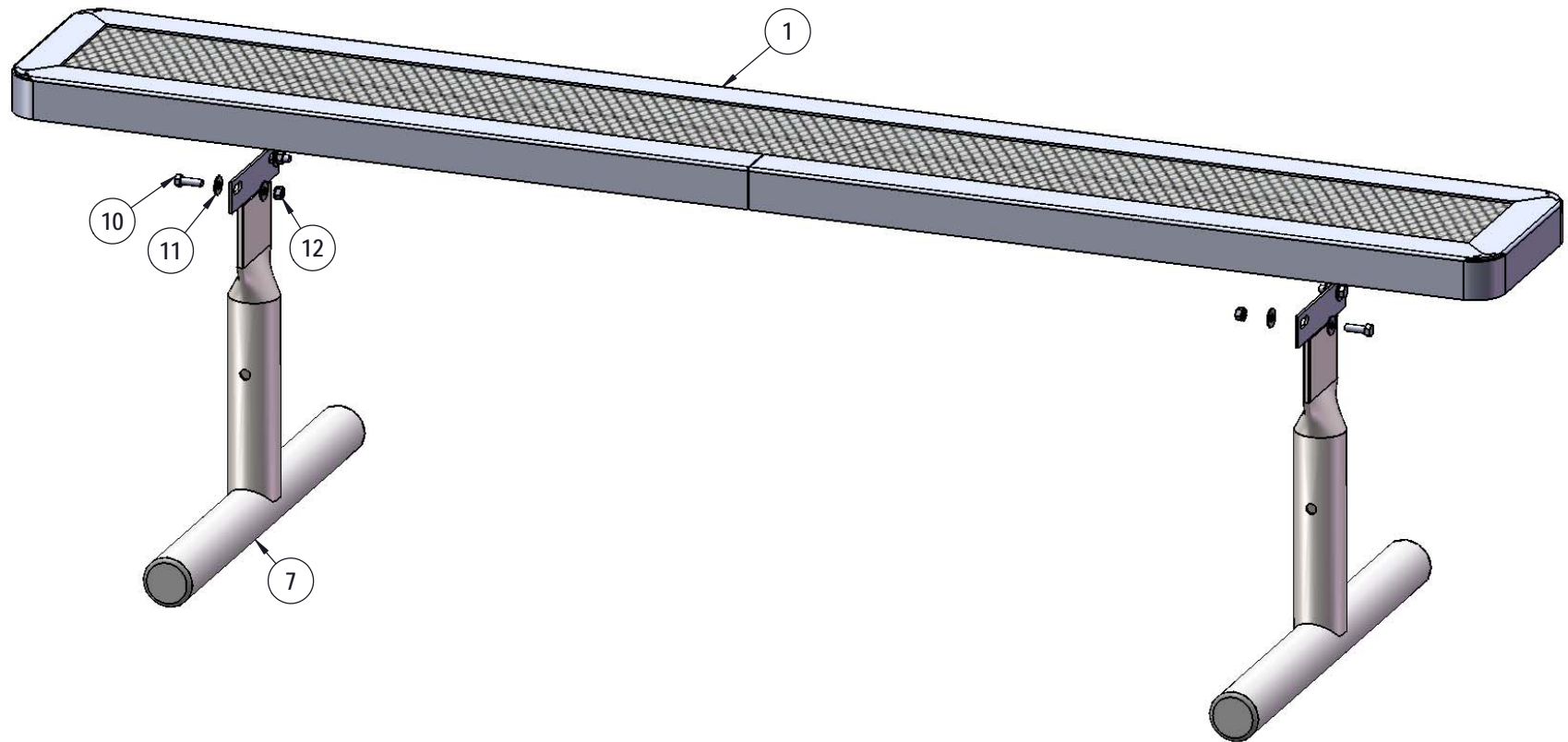
COMPONENTS



ITEM NO.	PartNo	DESCRIPTION	Qty.
1	RC72-S	6' long x 10" wide regal expanded seat	1
2	P-V942P	942P Vinyl Leg	2
3	P-01-04-0129	26 3/4" Brace	2
4	33-05-0029	5/16" x 1" Machine Bolt (SS)	6
5	33-02-0007	5/16" SS Washer	12
6	33-03-0012	5/16" Kep Nut (SS)	6
7	33-06-0058	3/8" x 3" Carriage Bolt (SS)	2
8	33-02-0008	3/8" Flat Washer (SS)	2
9	33-03-0013	3/8" Kep Nut (SS)	2

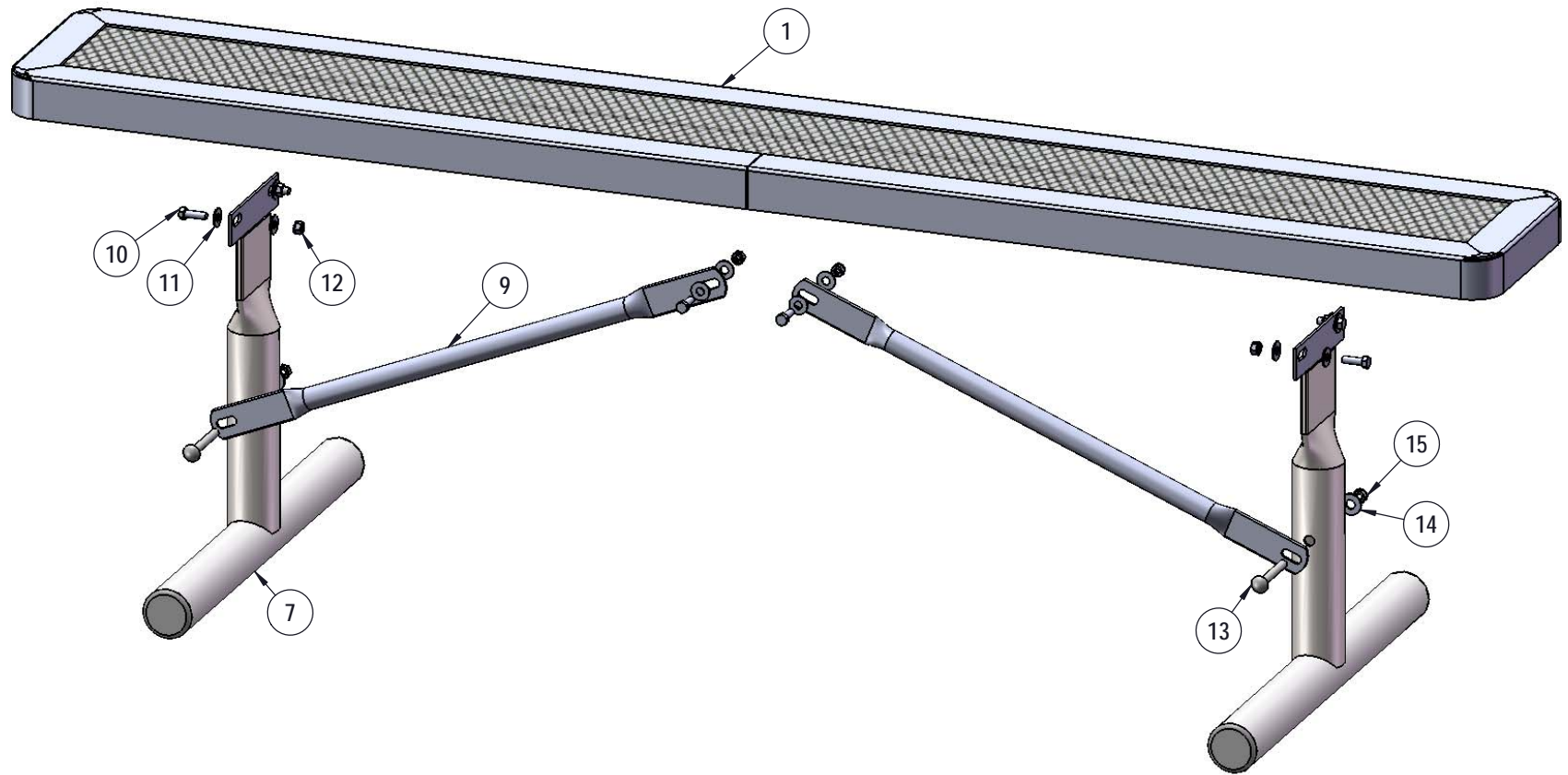
Superior[®]
 RECREATIONAL PRODUCTS
A PLAYCORE Company

STEP 1



Attach the 6' Expanded Seat to the legs using specified hardware.

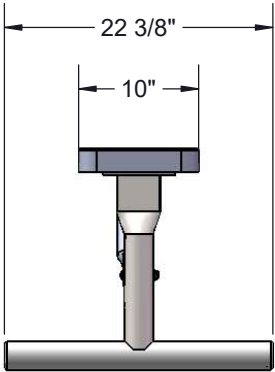
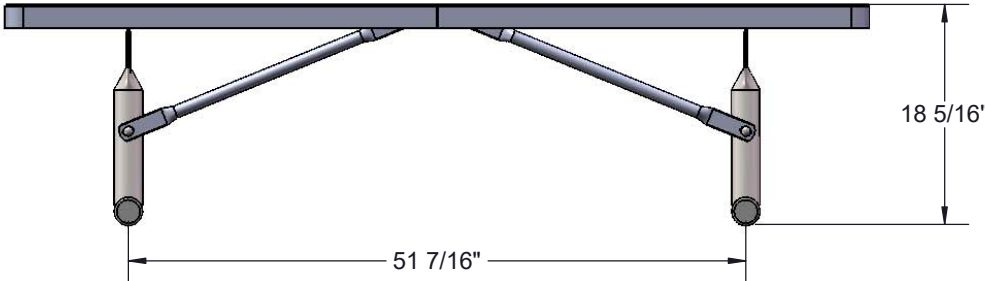
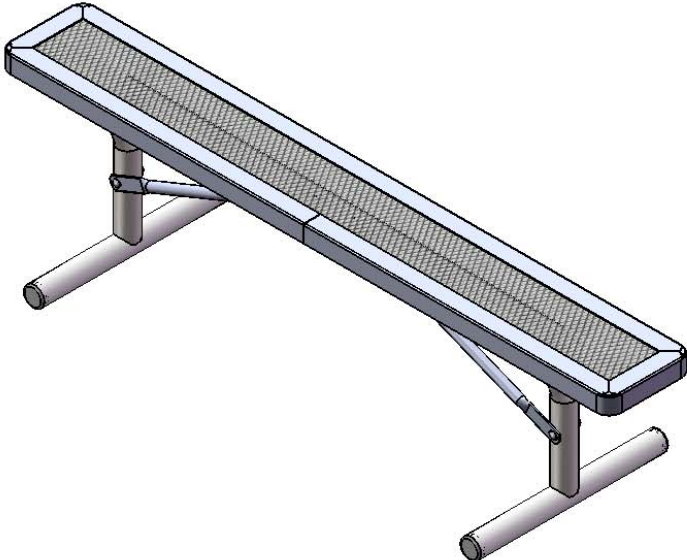
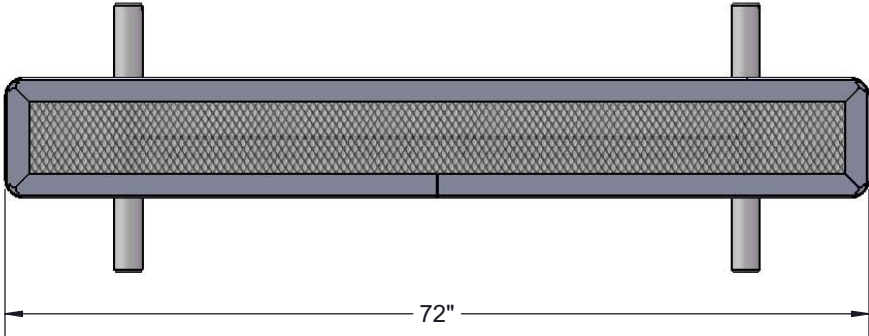
STEP 2



Attach the 29-1/2" Braces to the legs as shown using specified hardware.

Superior[®]
RECREATIONAL PRODUCTS
A PLAYCORE Company

OVERALL DIMENSIONS



Superior[®]
RECREATIONAL PRODUCTS
A PLAYCORE Company