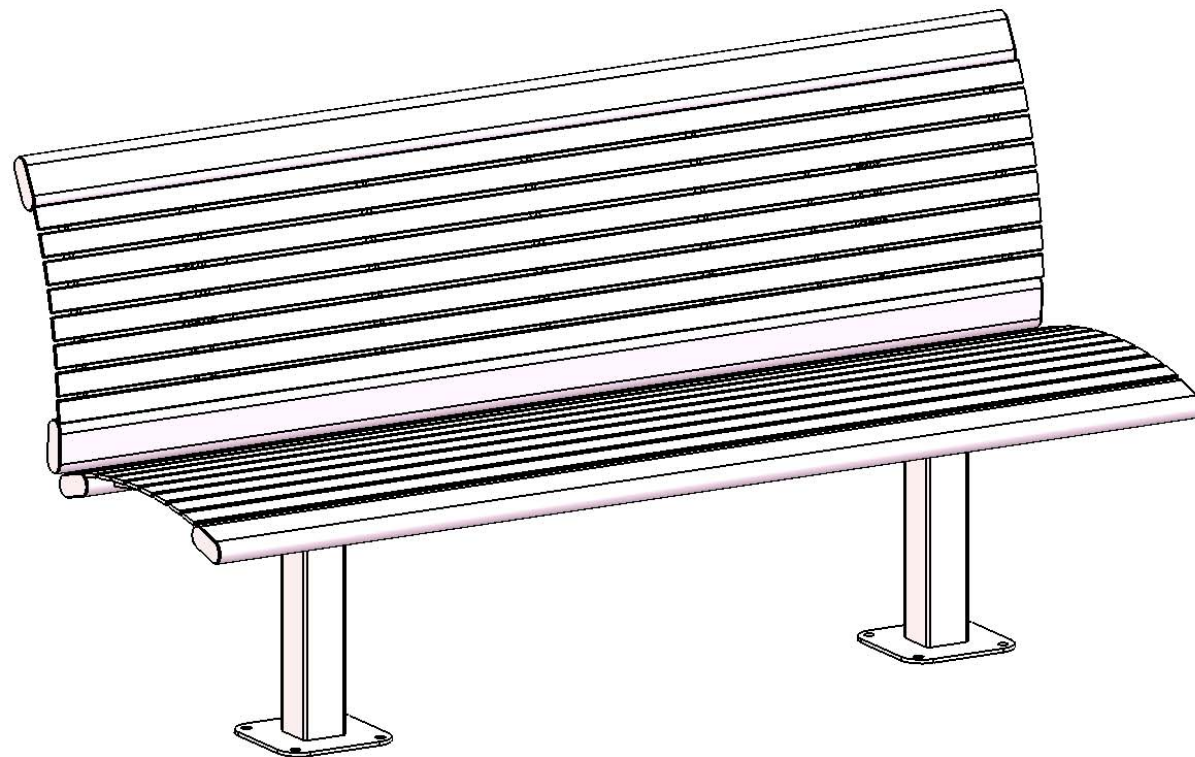


Site Amenities

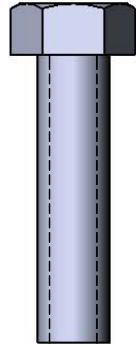
BY SUPERIOR RECREATIONAL PRODUCTS



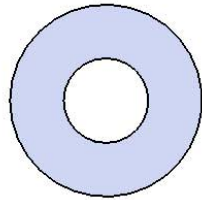
Model #
B6WBARSM-ST

 **SUPERIOR**[®]
RECREATIONAL PRODUCTS
A **PLAYCORE** Company

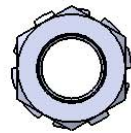
HARDWARE



3/8" x 1-1/2"
MACHINE BOLT

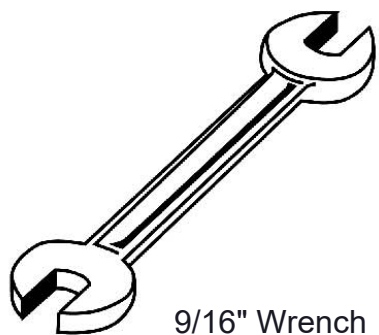


3/8" FLAT WASHER



3/8" KEPNUT

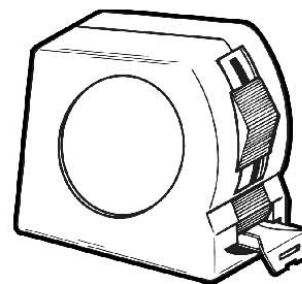
TOOLS REQUIRED



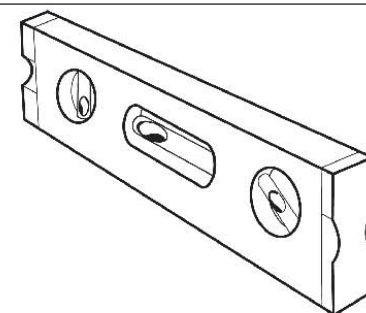
9/16" Wrench



9/16" Socket Wrench



Tape Measure



Level

PRODUCT SPECIFICATIONS

B6WBARSM-ST ARCHES SURFACE MOUNT BENCH

Seat & Back: Both are fabricated from 1 ½" x ¼" flat steel strips. Reinforced with 1/4" thick support ribs. End Planks are made from 1-1/2" x 3-1/2" steel oval tubing.

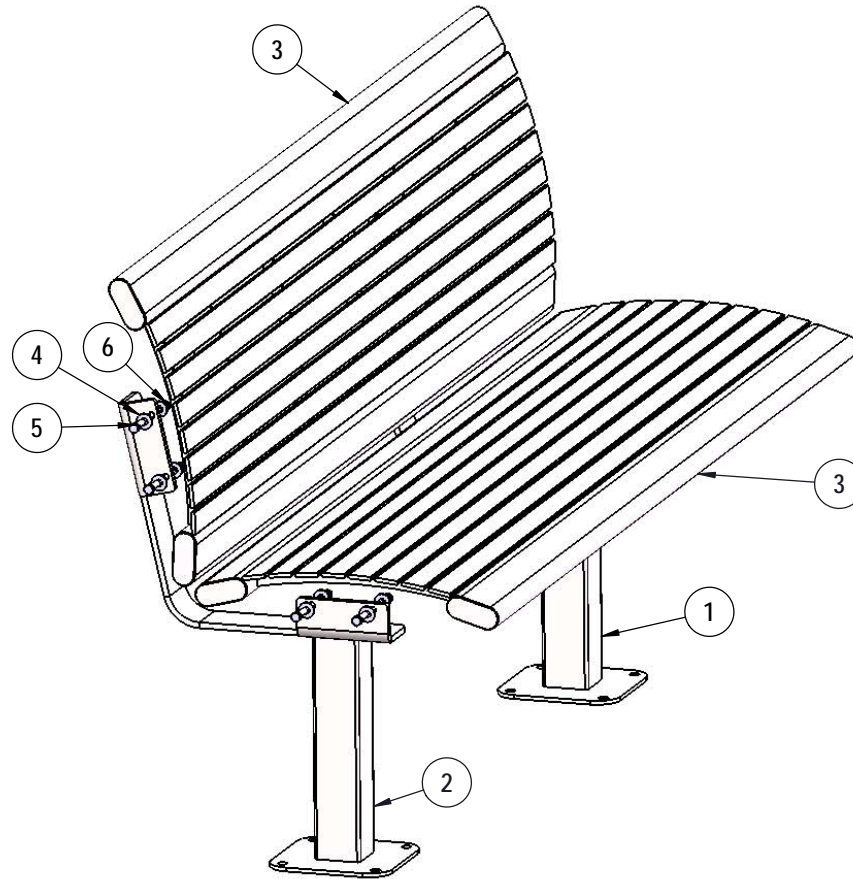
Frame: 3" x 3" square x11 gauge structural steel tubing. Surface Mount (SM) plates are made from 1/4" thick material. All electrically MIG welded.

Coating: Electrostatic powder coated application oven cured.

Dimensions: 6' surface mounted bench with back. Seat is 20" wide x 71" long. Seat height is 18" from the ground to the top of the seat. The overall dimensions are 71" x 25-11/16" x 35-15/16"

COMPONENTS

Attach the seats to the frames using specified hardware.



Recommended Surface Mount Hardware: 3/8" x 3-1/2" Concrete Expansion Anchor Bolts (Not Included)

ITEM NO.	PartNo	DESCRIPTION	QTY
1	P-01-01-0669	81 Series SM Leg-Left	1
2	P-01-01-0411	81 Series SM Leg-Right	1
3	P-01-01-0415	6' Richmond Series Seat	2
4	33-02-0008	3/8" Flat Washer (SS)	16
5	33-05-0049	3/8" x 1 1/2" Machine Bolt (SS)	8
6	33-03-0013	3/8" Kep Nut (SS)	8

OVERALL DIMENSIONS

