

Site Amenities

BY SUPERIOR RECREATIONAL PRODUCTS



Model #
B6WBHORZCASINO

 **SUPERIOR**[®]
RECREATIONAL PRODUCTS
A **PLAYCORE** Company

PRODUCT SPECIFICATIONS

B6WBHORZCASINO 6 Ft. Casino Bench With Back

Seats: Seat is fabricated from a 11ga laser cut plate. Seat is supported with 11ga plates. All electrically MIG welded.

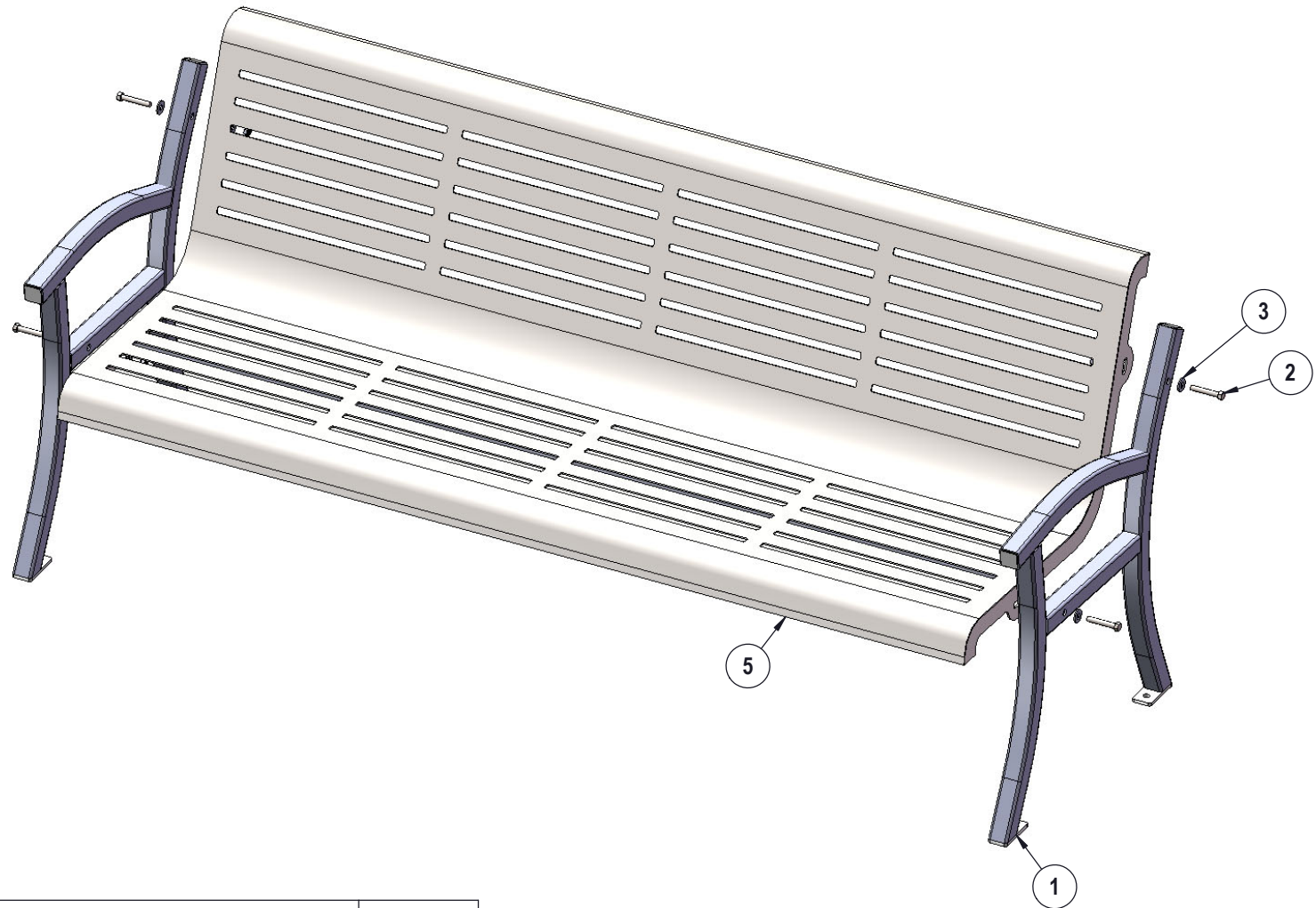
Frame: The legs are made from 1 1/2" x 1 1/2" x 12ga square steel tubing.

Coating: Oven fused functionalized polyethylene copolymer-based thermoplastic. Fluidized bed coating application with superior mechanical performance, impact resistance and UV-stability.

Dimensions: 6' bench without back. Seats are 27-15/16" wide x 72" long. Seat height is 16-1/2". Overall dimensions are 27-15/16" x 75" x 33-1/16".

COMPONENTS

Attach the legs to the seat as shown using specified hardware.



ITEM NO.	PartNo	DESCRIPTION	QTY
1	FCASINO	Frame -For- Casino Benches, Surface Mount/Portable	2
2	33-05-0059	3/8" x 2 1/4" Machine Bolt (SS)	4
3	33-02-0008	3/8" Flat Washer (SS)	8
4	33-03-0013	3/8" Kep Nut (SS)	4
5	01-01-1367	6' SRP contour horizontal slat seat	1

OVERALL DIMENSIONS

