

Site Amenities

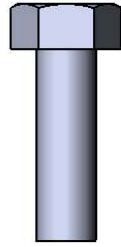
BY SUPERIOR RECREATIONAL PRODUCTS



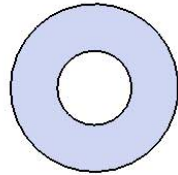
Model # B6WBINNV4-4S

S SUPERIOR[®]
RECREATIONAL PRODUCTS
A PLAYCORE Company

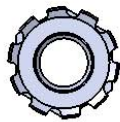
HARDWARE



5/16" x 1"
Machine Bolt



5/16" Washer



5/16" Kep Nut

PRODUCT SPECIFICATIONS

B6WBINNV4-4S DOUBLE SIDED INGROUND MOUNT BENCH WITH BACK

Seats & Back: 11 gauge die formed angle frame 1"x1-7/8" with 3" radius corners. 12 ga. sheet steel is punched with 5/8" diameter holes to create the perforated pattern. 7 gauge x 1-1/2" flat bar center support and mounting bracket understructure. Electrically MIG welded.

Coating: Oven fused functionalized polyethylene copolymer-based thermoplastic. Fluidized bed coating application with superior mechanical performance, impact resistance and UV-stability.

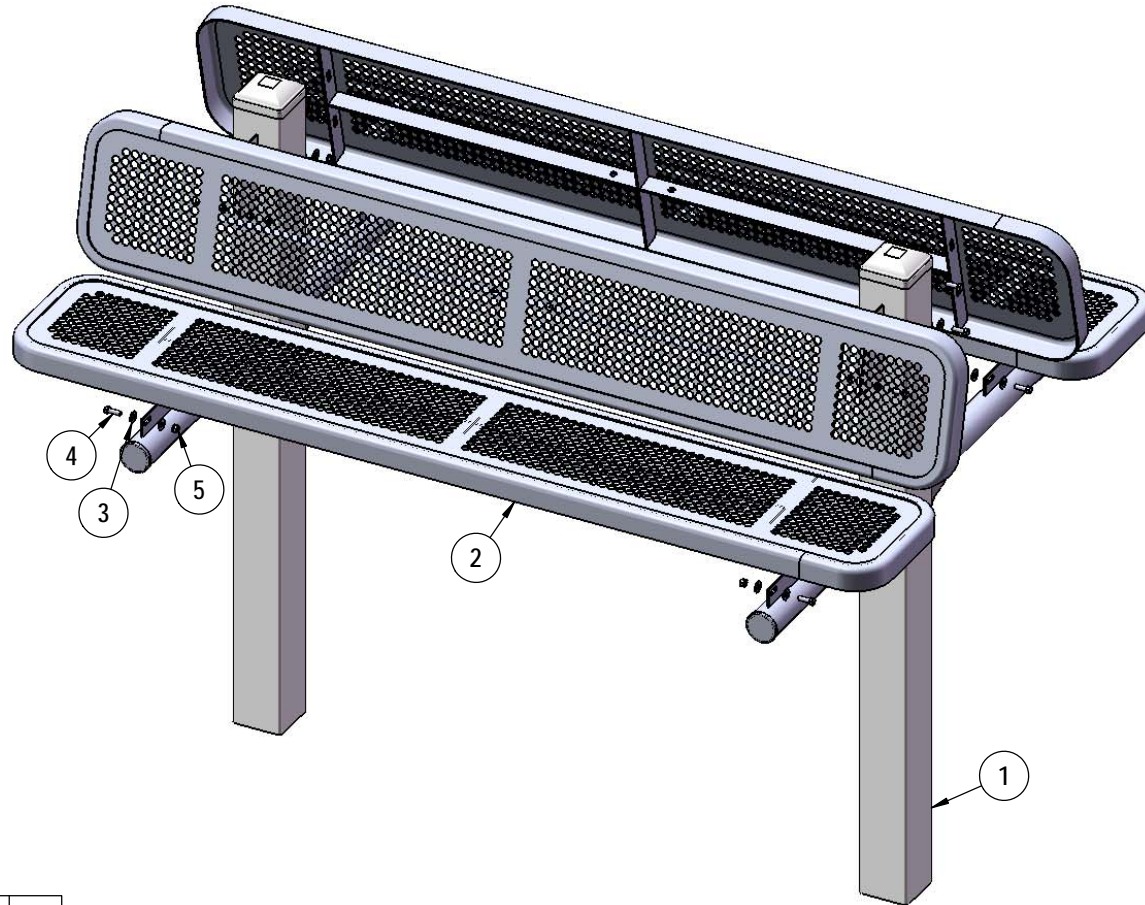
Frame: The main post is fabricated from 4 x 4 x 11 gauge square tubing. 2-3/8" O.D. x 12 gauge pre-galvanized structural steel tubing seat support. Seat arms are supported by a 1/4" thick, 6" gusset. Tube ends are pre-galvanized steel capped. Seat and back mounting points are 7 gauge x 1-1/2" die stamped steel flat bar. All electrically MIG welded.

Frame Coating: Electrostatic powder coated application oven cured.

Hardware: All stainless steel hardware fasteners.

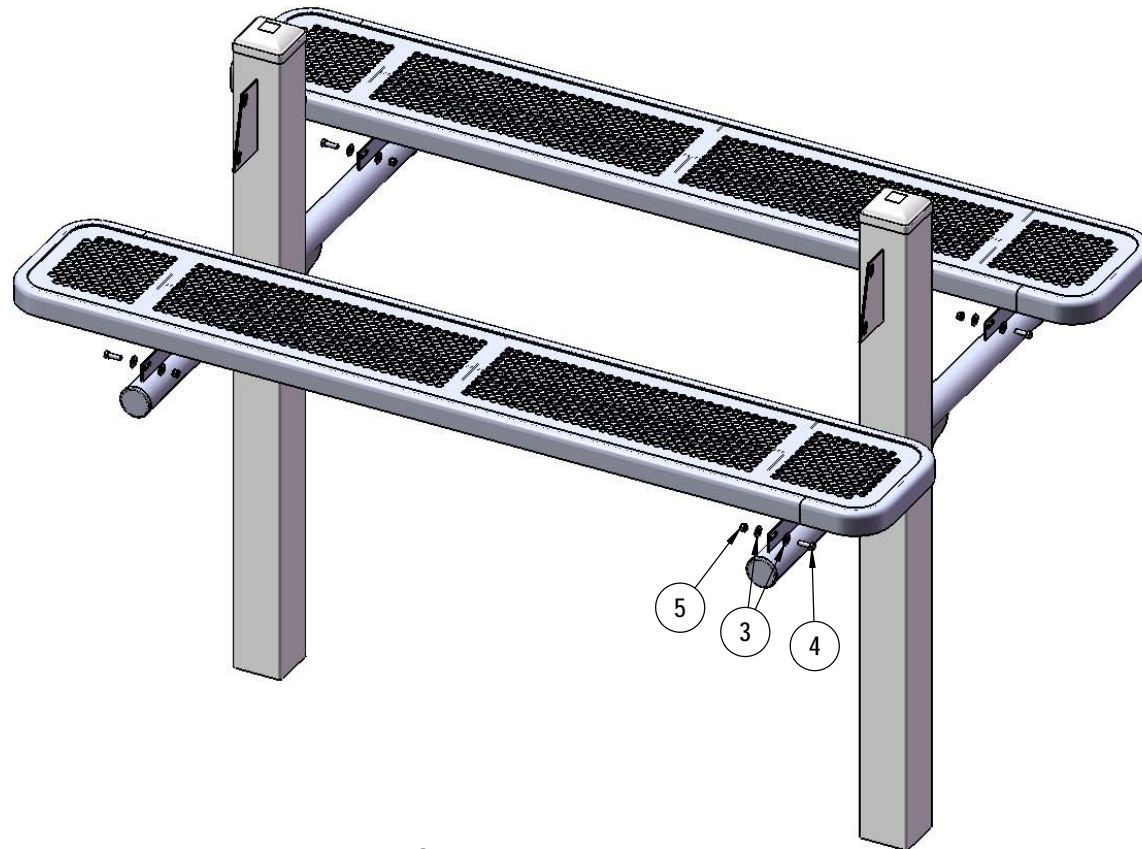
Dimensions: 6' bench inground mount with back. Seats and backs are 12" wide x 72" long. Seat height is 18". Seat back height is 35-1/4". Total depth of seat with back is 46".

COMPONENTS



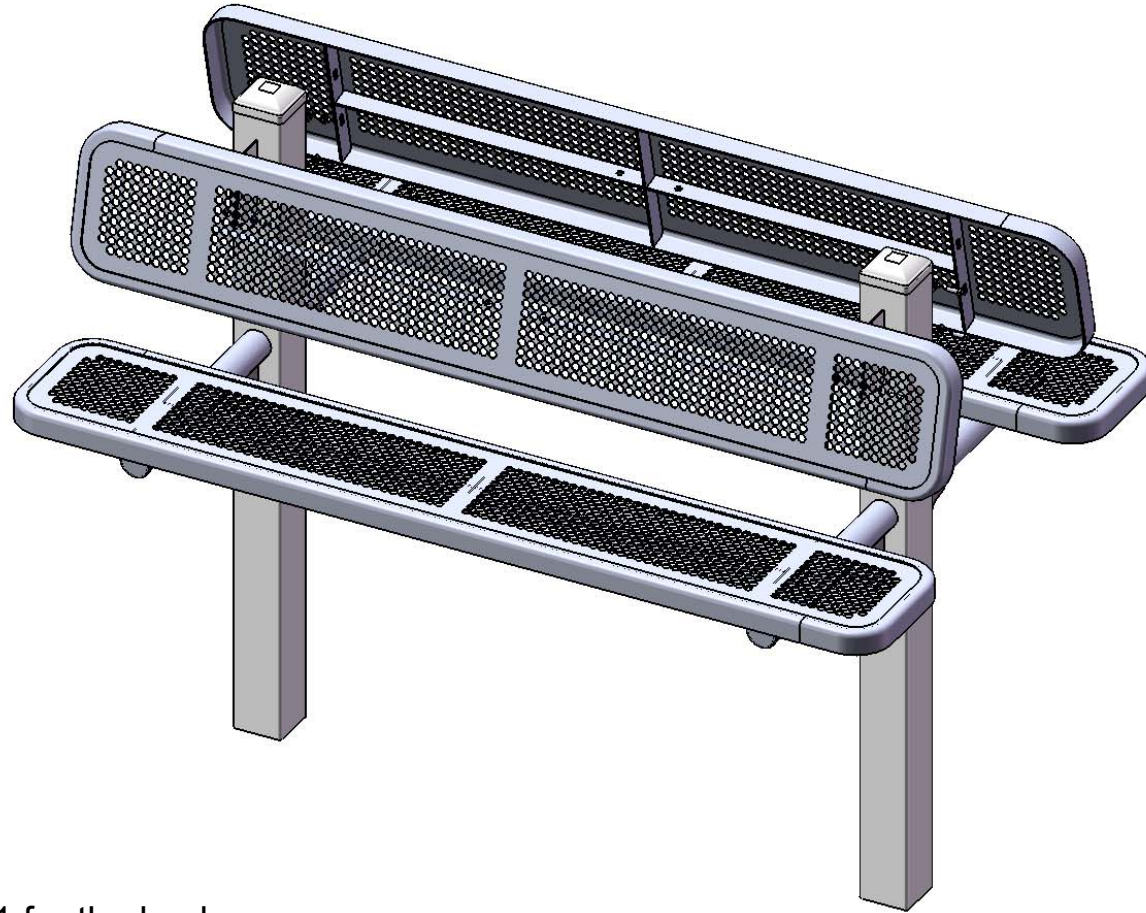
| ITEM NO. | PartNo | DESCRIPTION | QTY |
|----------|------------|------------------------------|-----|
| 1 | P-V962S | 962 Vinyl Inground Leg | 2 |
| 2 | T-P72-S | 6' Punched Seat | 4 |
| 3 | 33-02-0007 | 5/16" SS Washer | 32 |
| 4 | 33-05-0029 | 5/16" x 1" Machine Bolt (SS) | 16 |
| 5 | 33-03-0012 | 5/16" Kep Nut (SS) | 16 |

STEP 1



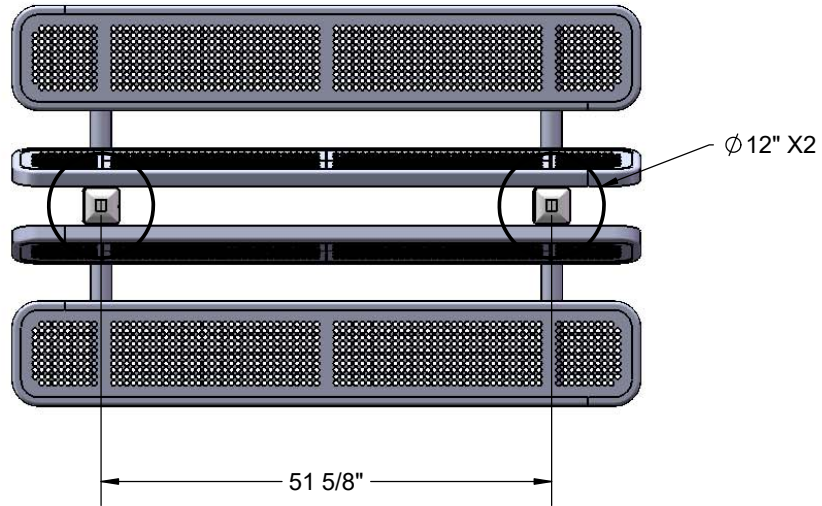
Attach the 6' Seats to the Legs using specified hardware.

STEP 2

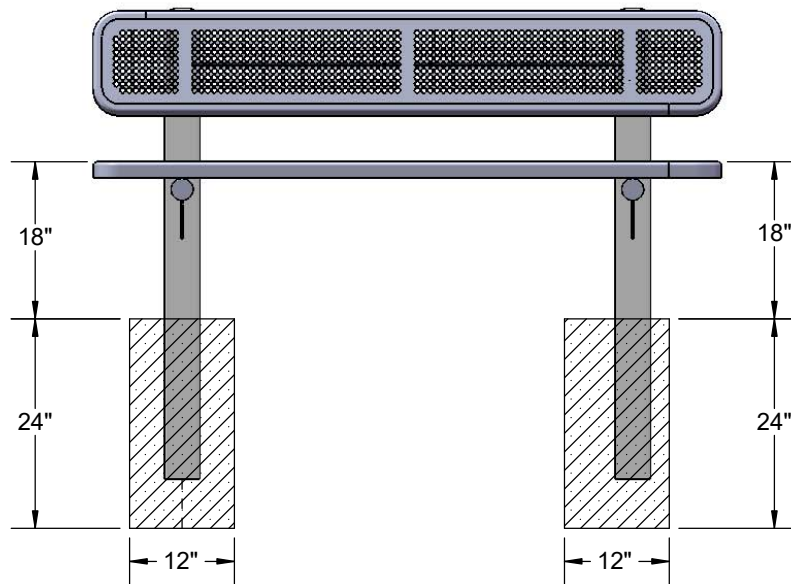


Repeat Step 1 for the backs.

FOOTINGS



Estimated Required Concrete:
9 - 50lb Bags of Concrete Mix



OVERALL DIMENSIONS

