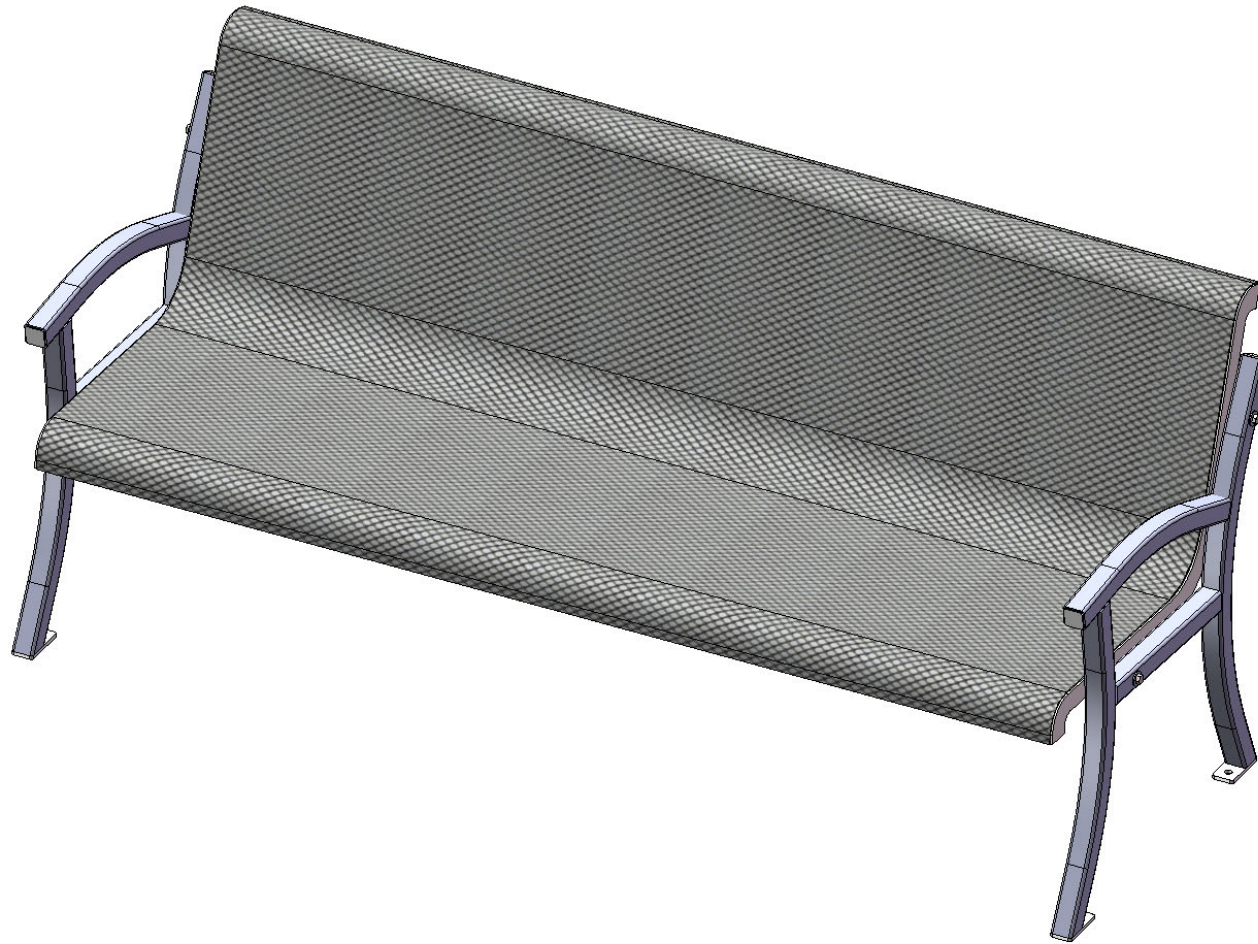


# Site Amenities

BY SUPERIOR RECREATIONAL PRODUCTS



Model #  
B6WBMODCASINO

 **SUPERIOR**<sup>®</sup>  
RECREATIONAL PRODUCTS  
A **PLAYCORE** Company

# PRODUCT SPECIFICATIONS

## **B6WBMODCASINO 6 Ft. Casino Bench With Back**

Seats: 3/4" #9 steel expanded metal. End plates are made of 11 gauge flat steel plate. Reinforced with 3/16 x 1-1/2" flat strip. Electrically MIG welded.

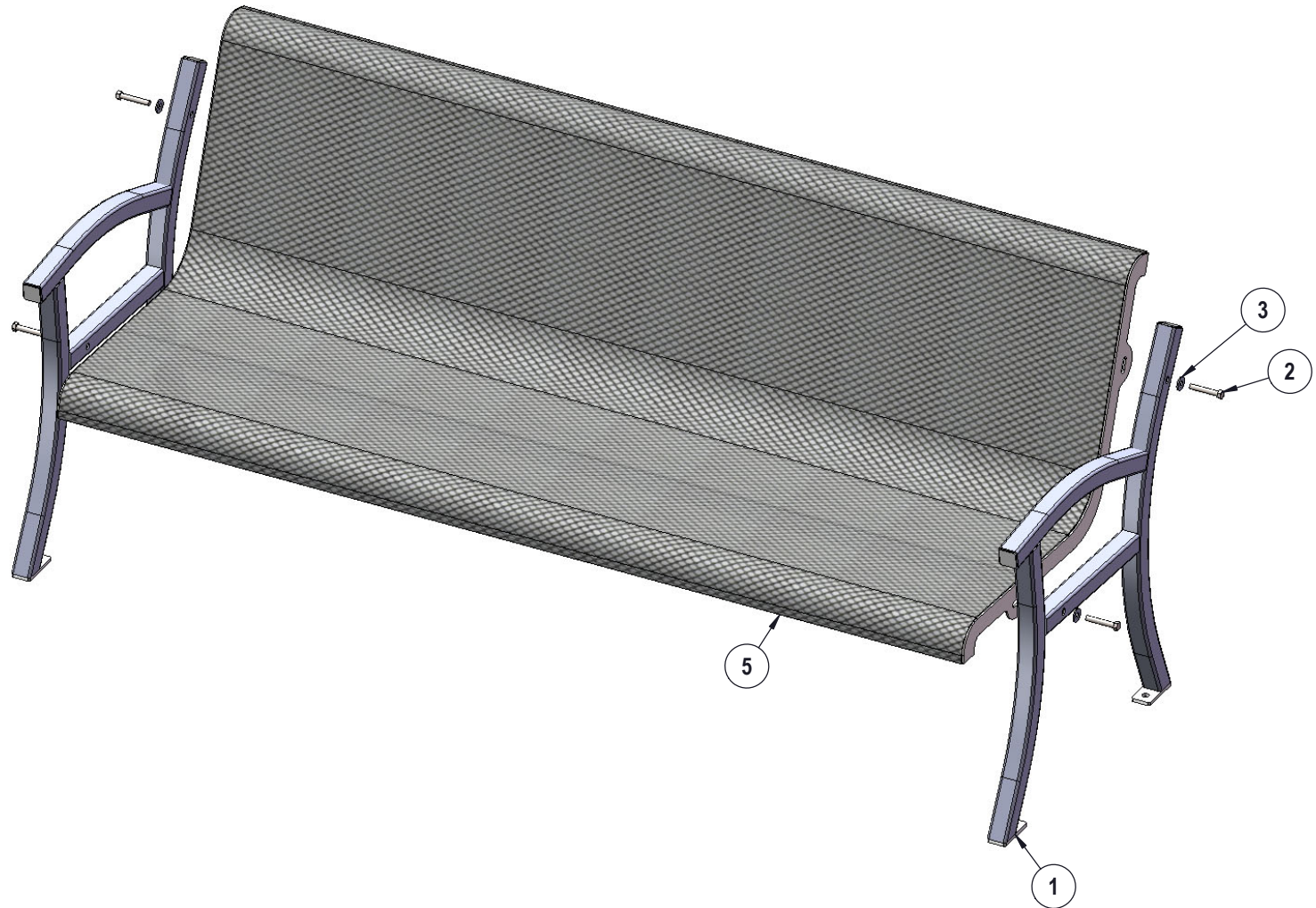
Frame: The legs are made from 1 1/2" x 1 1/2" x 12ga square steel tubing.

Coating: Oven fused functionalized polyethylene copolymer-based thermoplastic. Fluidized bed coating application with superior mechanical performance, impact resistance and UV-stability.

Dimensions: 6' bench without back. Seats are 27-15/16" wide x 72" long. Seat height is 16-1/2". Overall dimensions are 27-15/16" x 75" x 33-1/16".

# COMPONENTS

Attach the legs to the seat as shown using specified hardware.



ITEM NO.	PartNo	DESCRIPTION	QTY
1	FCASINO	Frame -For- Casino Benches, Surface Mount/Portable	2
2	33-05-0059	3/8" x 2 1/4" Machine Bolt (SS)	4
3	33-02-0008	3/8" Flat Washer (SS)	8
4	33-03-0013	3/8" Kep Nut (SS)	4
5	01-01-1369	6' SRP contour expanded seat	1

# OVERALL DIMENSIONS

