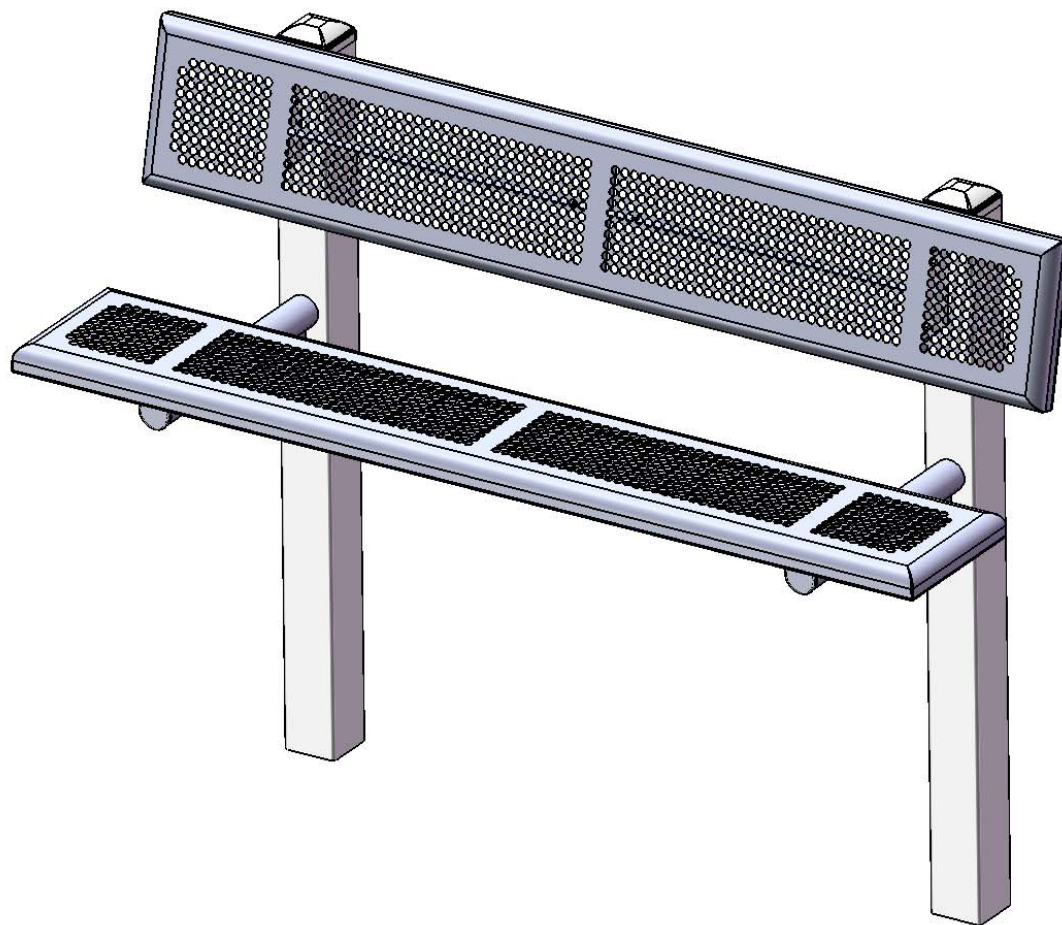


# Site Amenities

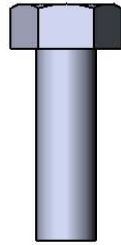
BY SUPERIOR RECREATIONAL PRODUCTS



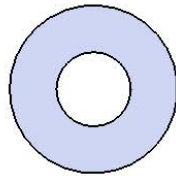
Model # B6WBPERFD4-4S

 **SUPERIOR**<sup>®</sup>  
RECREATIONAL PRODUCTS  
A **PLAYCORE** Company

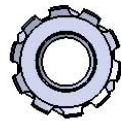
# HARDWARE



5/16" x 1"  
Machine Bolt



5/16" Washer



5/16" Kep Nut

# PRODUCT SPECIFICATIONS

## **B6WBPERFD4-4S SINGLE SIDED INGROUND BENCH WITH BACK**

**Seats & Back:** Seats shall have a 1 ½" radius edge, fabricated from a 14 ga. plate. Holes are precision punched at 5/8" diameter. 7 gauge x 1-1/2" flat bar center support and mounting bracket understructure. Electrically MIG welded.

**Coating:** Oven fused functionalized polyethylene copolymer-based thermoplastic. Fluidized bed coating application with superior mechanical performance, impact resistance and UV-stability.

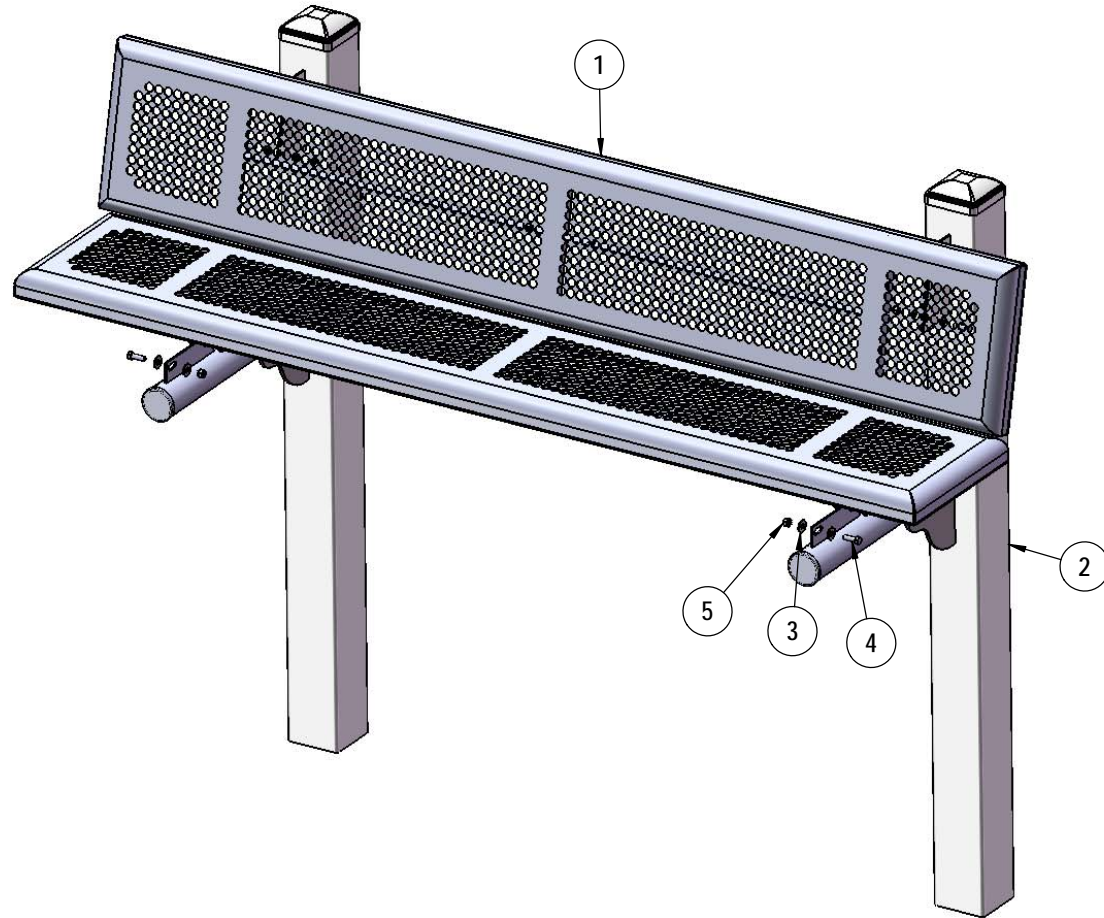
**Frame:** The main post is fabricated from 4 x 4 x 11 gauge square tubing. 2-3/8" O.D. x 12 gauge pre-galvanized structural steel tubing seat support. Seat arms are supported by a 1/4" thick, 6" gusset. Tube ends are pre-galvanized steel capped. Seat and back mounting points are 7 gauge x 1-1/2" die stamped steel flat bar. All electrically MIG welded.

**Frame Coating:** Electrostatic powder coated application oven cured.

**Hardware:** All stainless steel hardware fasteners.

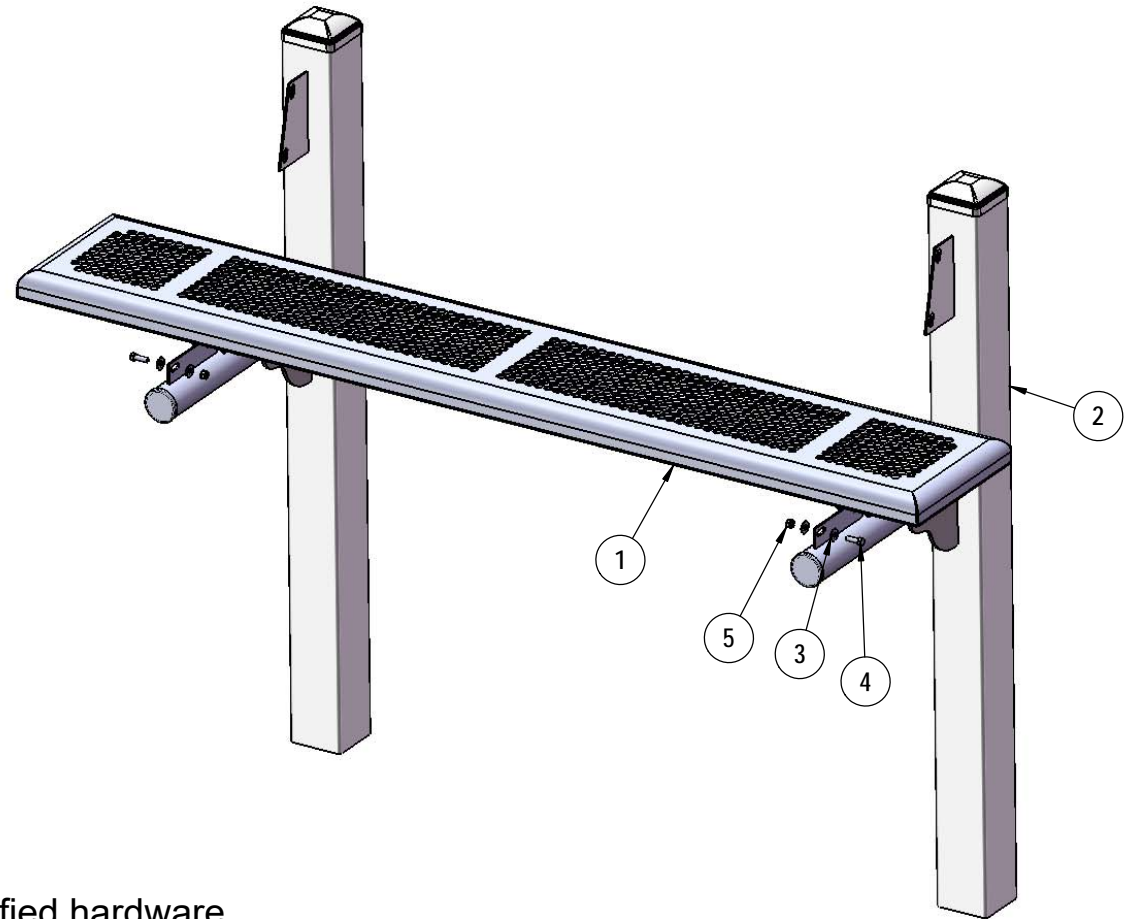
**Dimensions:** 6' bench inground with back. Seat and back are 12-1/8" wide x 72-1/8" long. Seat height is 18". Seat back height is 36". Total depth of seat with back is 25".

# COMPONENTS



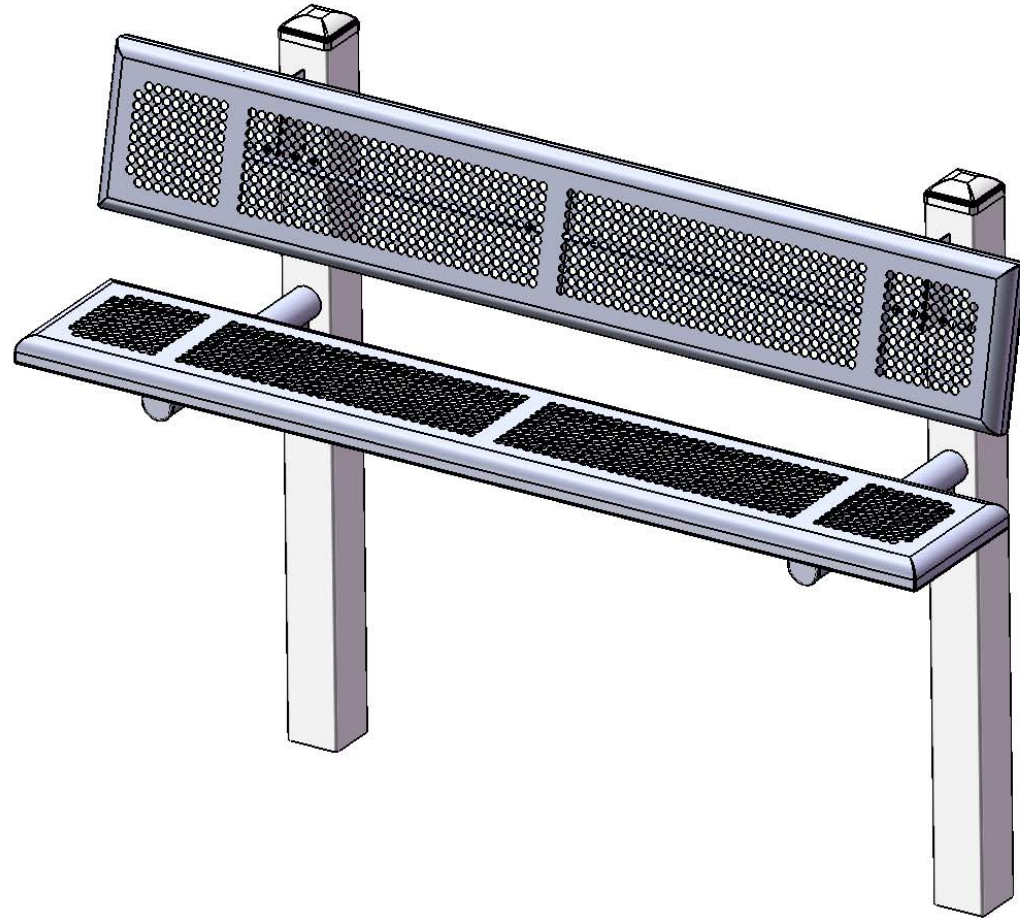
ITEM NO.	PartNo	DESCRIPTION	QTY.
1	T-PR72-S	6' Punched Rolled Seat	2
2	P-V961S	961 Vinyl Inground Leg	2
3	33-02-0007	5/16" SS Washer	16
4	33-05-0029	5/16" x 1" Machine Bolt (SS)	8
5	33-03-0012	5/16" Kee Nut (SS)	8

# STEP 1



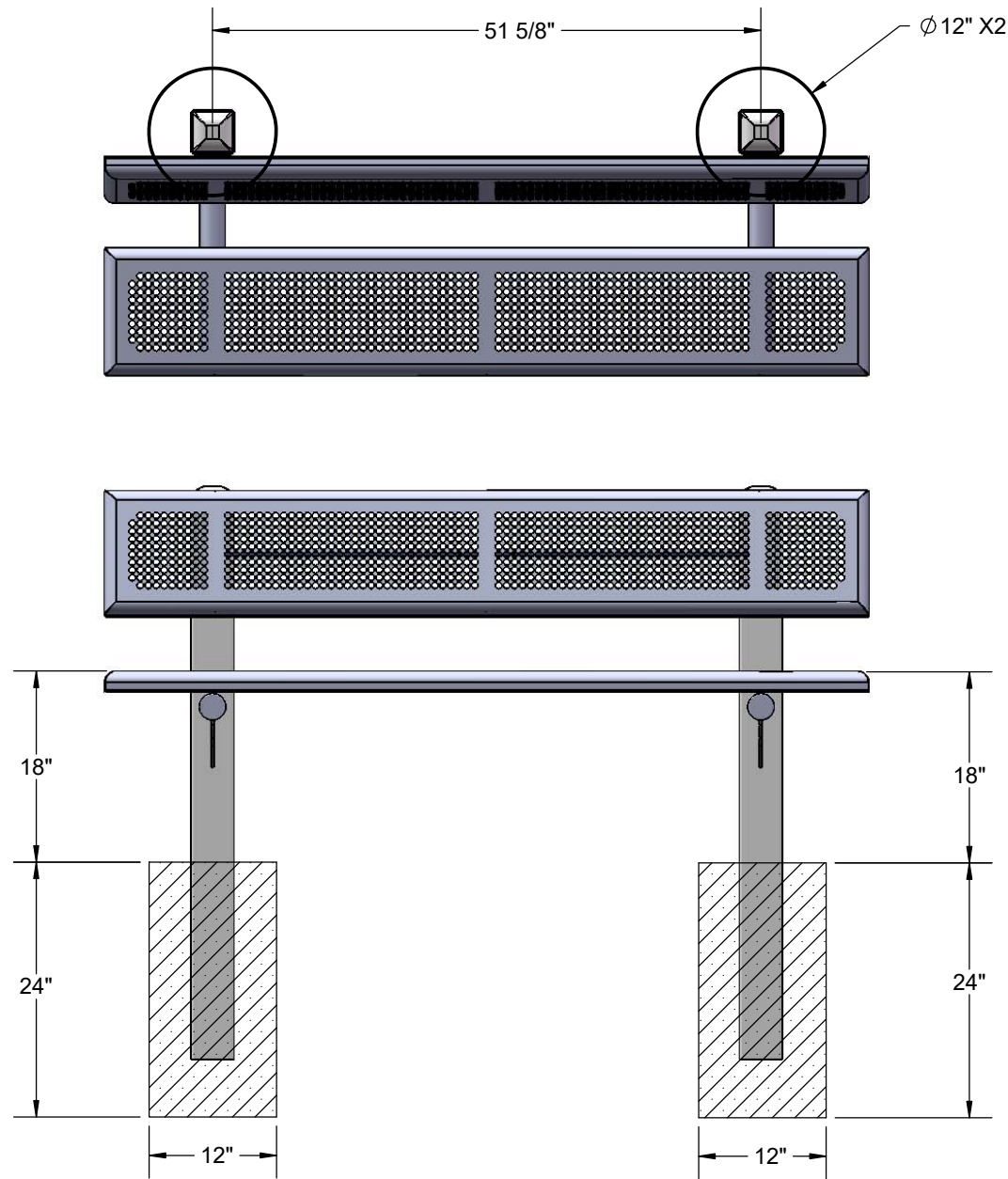
Attach the 6' Seat to the Legs using specified hardware.

## STEP 2



Repeat Step 1 for the back.

# FOOTINGS



Estimated Required Concret:  
9 - 50lb Bags of Concrete Mix

# OVERALL DIMENSIONS

