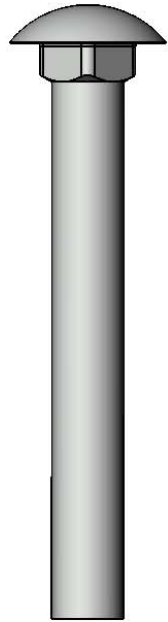


Model # B6WBRCP-ELEM

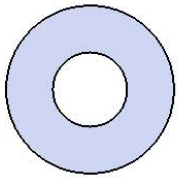
# HARDWARE



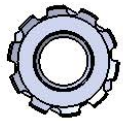
5/16" x 1"  
Machine Bolt



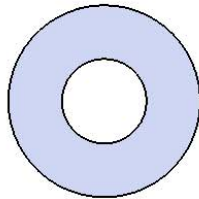
3/8" x 3"  
Carriage Bolt



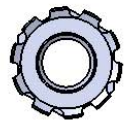
5/16" Washer



5/16" Kep Nut



3/8" Washer



3/8" Kep Nut

# PRODUCT SPECIFICATIONS

## **B6WBRCP-ELEM PRE-SCHOOL PORTABLE BENCH WITH BACK**

Seat & Back: 2" x 2" x 1/8" formed angle frame with 1-1/2" radius corners. 3/4" #9 steel expanded metal. 7 gauge x 1-1/2" flat bar center support and mounting bracket understructure. Electrically MIG welded.

Coating: Oven fused functionalized polyethylene copolymer-based thermoplastic. Fluidized bed coating application with superior mechanical performance, impact resistance and UV-stability.

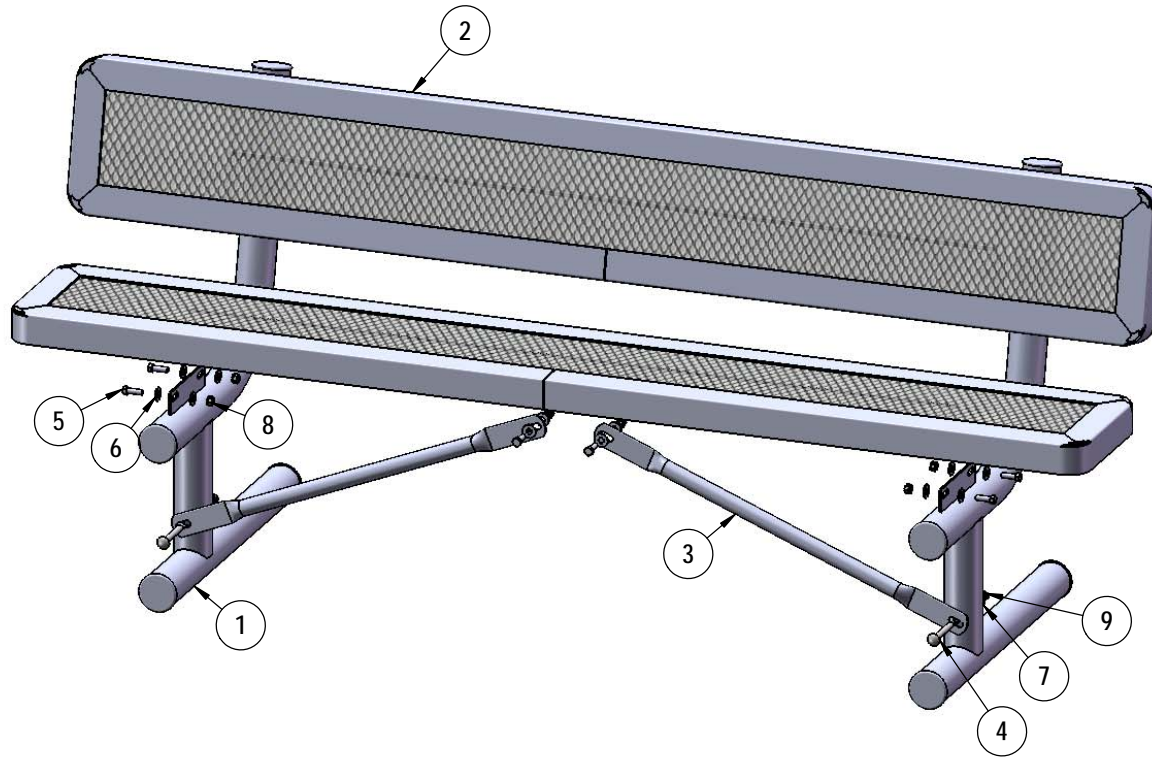
Frame: 2-3/8" O.D. x 12 gauge pre-galvanized structural steel tubing. Tube ends are pre-galvanized steel capped. Seat mounting points are 7 gauge x 1-1/2" die stamped steel flat bar. Cross braces are 1" O.D. x 16 gauge pre-galvanized structural steel tubing. All electrically MIG welded.

Frame Coating: Electrostatic powder coated application oven cured.

Hardware: All stainless steel hardware fasteners.

Dimensions: 6' pre-school portable bench with back. Seat is 10" wide x 72" long x 14-9/16" high. Overall dimensions are 21-9/16" x 30-7/16" x 72".

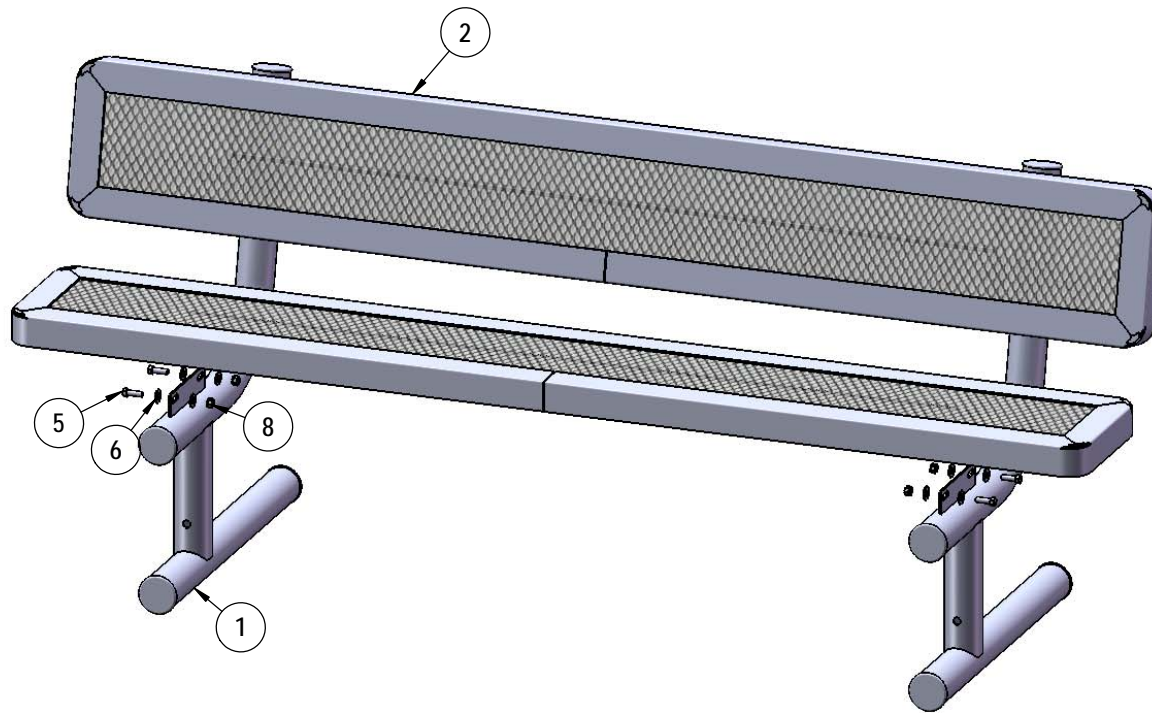
# COMPONENTS



ITEM NO.	PartNo	DESCRIPTION	QTY
1	01-01-1121	940P Vinyl Leg 14-1/4" seat height	2
2	RC72-S	6' long x 10" wide regal expanded seat	2
3	P-01-04-0129	26 3/4" Brace	2
4	33-06-0058	3/8" x 3" Carriage Bolt (SS)	2
5	33-05-0029	5/16" x 1" Machine Bolt (SS)	10
6	33-02-0007	5/16" SS Washer	20
7	33-02-0008	3/8" Flat Washer (SS)	2
8	33-03-0012	5/16" Kep Nut (SS)	10
9	33-03-0013	3/8" Kep Nut (SS)	2

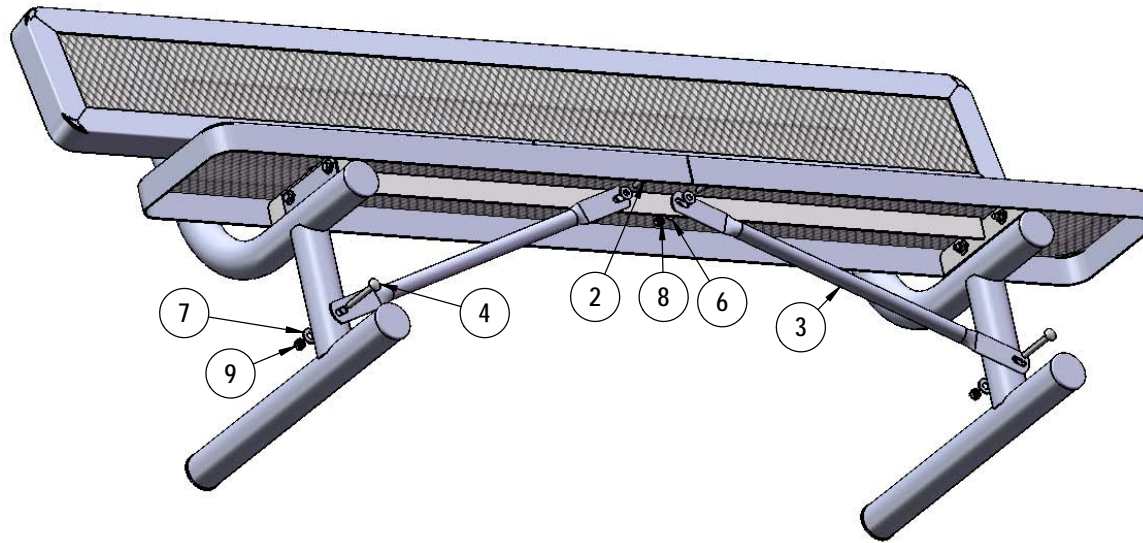
**Superior**<sup>®</sup>  
 RECREATIONAL PRODUCTS  
A PLAYCORE Company

# COMPONENTS



Attach the seat planks as shown using specified hardware.

## STEP 2



Attach the braces as shown using specified hardware.

# OVERALL DIMENSIONS

