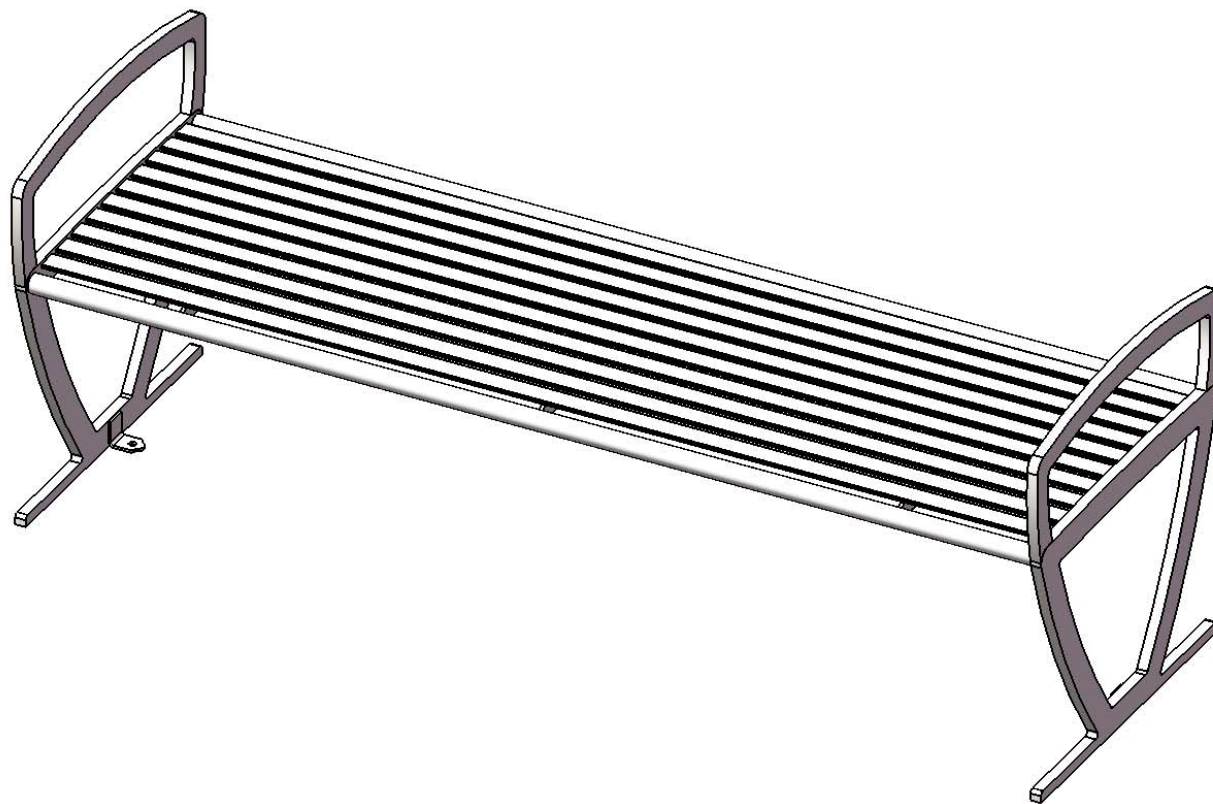


Site Amenities

BY SUPERIOR RECREATIONAL PRODUCTS



Model #
B6ZI-ARM

 **SUPERIOR**[®]
RECREATIONAL PRODUCTS
A **PLAYCORE** Company

PRODUCT SPECIFICATIONS

B6ZI-ARM ZION BENCH WITHOUT BACK WITH ARMRESTS

Seats: Seats are fabricated from 1 ½" x ¼" flat steel strips. Reinforced with 1/2" thick support ribs. Legs and arms are precision cut from 3/4" flat steel. Mounting plates shall be 1-1/2" x 2-1/2" x 1/4". All electrically MIG welded.

Coating: Steel is sandblasted to near white condition. Coated with zinc rich epoxy primer and top coated with electrostatic powder coat, oven cured.

Dimensions: 6' Zion bench without back. Seat height is 18-1/4" from the ground to the top of the seat. The overall dimensions are 72-1/2" x 24-5/8" x 26-1/2"

OVERALL DIMENSIONS

