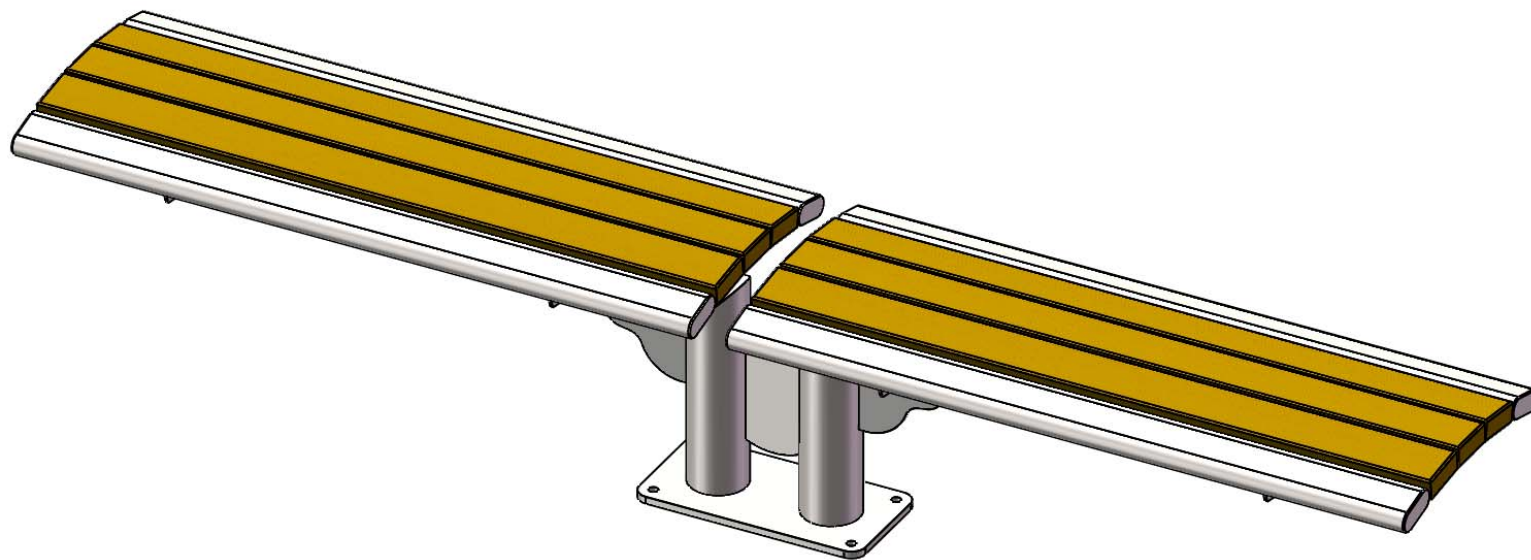


# Site Amenities

BY SUPERIOR RECREATIONAL PRODUCTS



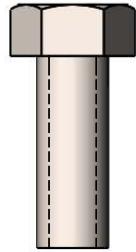
Model # B8ARSM-RC-CANT

 **SUPERIOR**<sup>®</sup>  
RECREATIONAL PRODUCTS  
A **PLAYCORE** Company

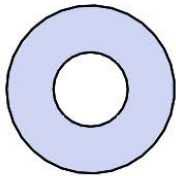
# HARDWARE



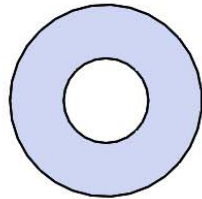
5/16" x 1"  
LAG BOLT



3/8" x 1"  
MACHINE BOLT



5/16" FLAT  
WASHER



3/8" FLAT  
WASHER

# ULTRA SITE PRODUCT SPECIFICATIONS

## **68SM-R4 DOUBLE CANTILEVER SURFACE MOUNT BENCH**

Seat & Back: 2x4 planks are made from a minimum of 96% post-consumer or post-industrial recycled plastic. Contains UV stabilizers to prevent fading. End Planks are made from 1-1/2" x 3-1/2" Steel Oval Tube.

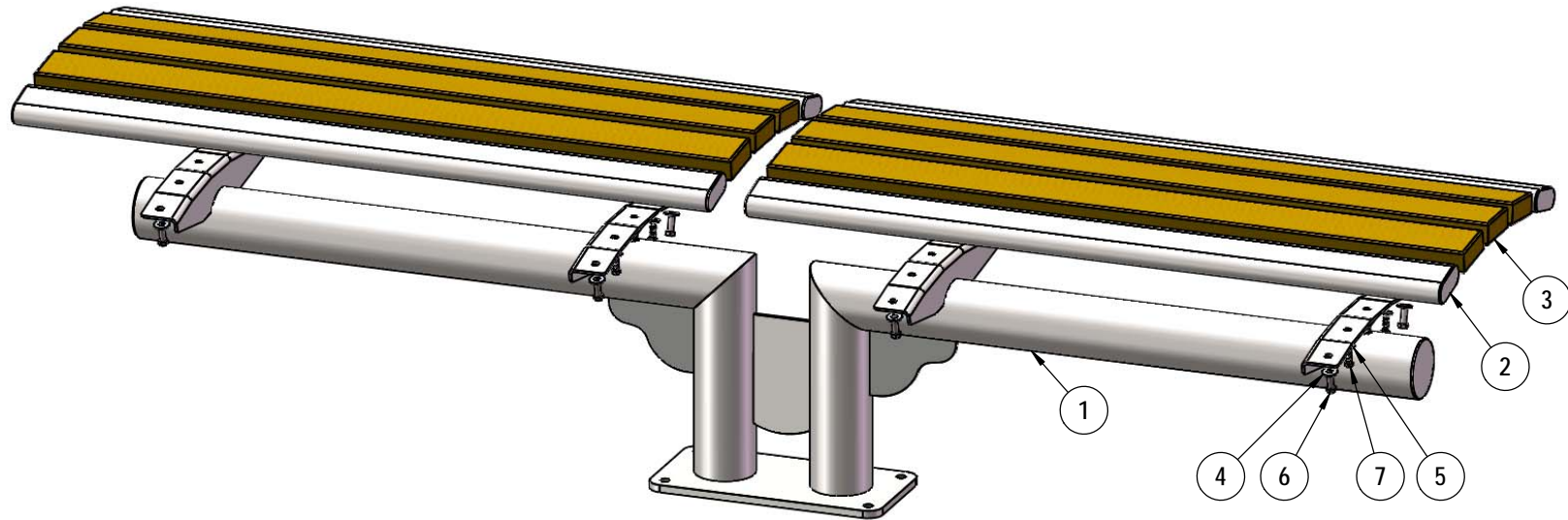
Frame: 4" diameter x 11 gauge structural steel tubing. Attachment plates are 1/4" thick flat steel. Surface Mount (SM) plates are made from 1/2" thick flat steel. All electrically MIG welded.

Coating: Steel is sandblasted to near white condition. Coated with zinc rich epoxy primer and top coated with electrostatic powder coat, oven cured.

Dimensions: double 4' surface mounted bench without back. Seats are 18" wide x 48" long. Seat height is 18-5/8" from the ground to the top of the seat. The overall dimensions are 98-7/16" x 18" x 18-5/8"

# COMPONENTS

Attach the 4' seat planks to the 68 Bench Leg using specified hardware.



ITEM NO.	PartNo	DESCRIPTION	Qty.
1	01-01-0894	68 Recycled Bench Leg - SM	1
2	01-01-0896	4' Oval Tube	4
3	BRN48-2x4-LB, CDR48-2x4-LB, GRN48-2x4-LB, or GRY48-2x4-LB	2 x 4 Brown Recycled Bench Plank-lagbolt (4'), 2 X 4 Cedar Recycled Bench Plank-lagbolt (4'), 2 x 4 Green Recycled Bench Plank-lagbolt (4'), or 2 x 4 Grey Recycled Bench Plank-lagbolt (4')	6
4	33-02-0008	3/8" Flat Washer (SS)	8
5	33-02-0007	5/16" SS Washer	12
6	33-06-0056	3/8" x 1" Machine Bolt (SS)	8
7	33-05-0067	5/16" x 1" lag bolt, SS	12

# OVERALL DIMENSIONS

