

Site Amenities

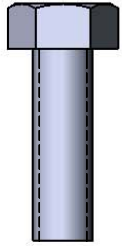
BY SUPERIOR RECREATIONAL PRODUCTS



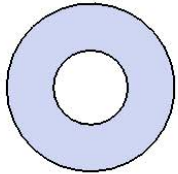
Model # B8INNVS

S SUPERIOR[®]
RECREATIONAL PRODUCTS
A PLAYCORE Company

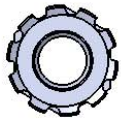
HARDWARE



5/16" x 1"
Machine Bolt



5/16" Washer



5/16" Kep Nut

PRODUCT SPECIFICATIONS

B8INNVS INGROUND BENCH WITHOUT BACK

Seat: 11 gauge die formed angle frame 1"x1-7/8" with 3" radius corners. 12 gauge sheet steel is precision punched with a 5/8" hole. 7 gauge x 1-1/2" flat bar center support and mounting bracket understructure. Electrically MIG welded.

Coating: Oven fused functionalized polyethylene copolymer-based thermoplastic. Fluidized bed coating application with superior mechanical performance, impact resistance and UV-stability.

Frame: 2-3/8" O.D. x 12 gauge pre-galvanized structural steel tubing. Tube ends are pre-galvanized steel capped. Seat mounting points are 7 gauge x 1-1/2" die stamped steel flat bar. All electrically MIG welded.

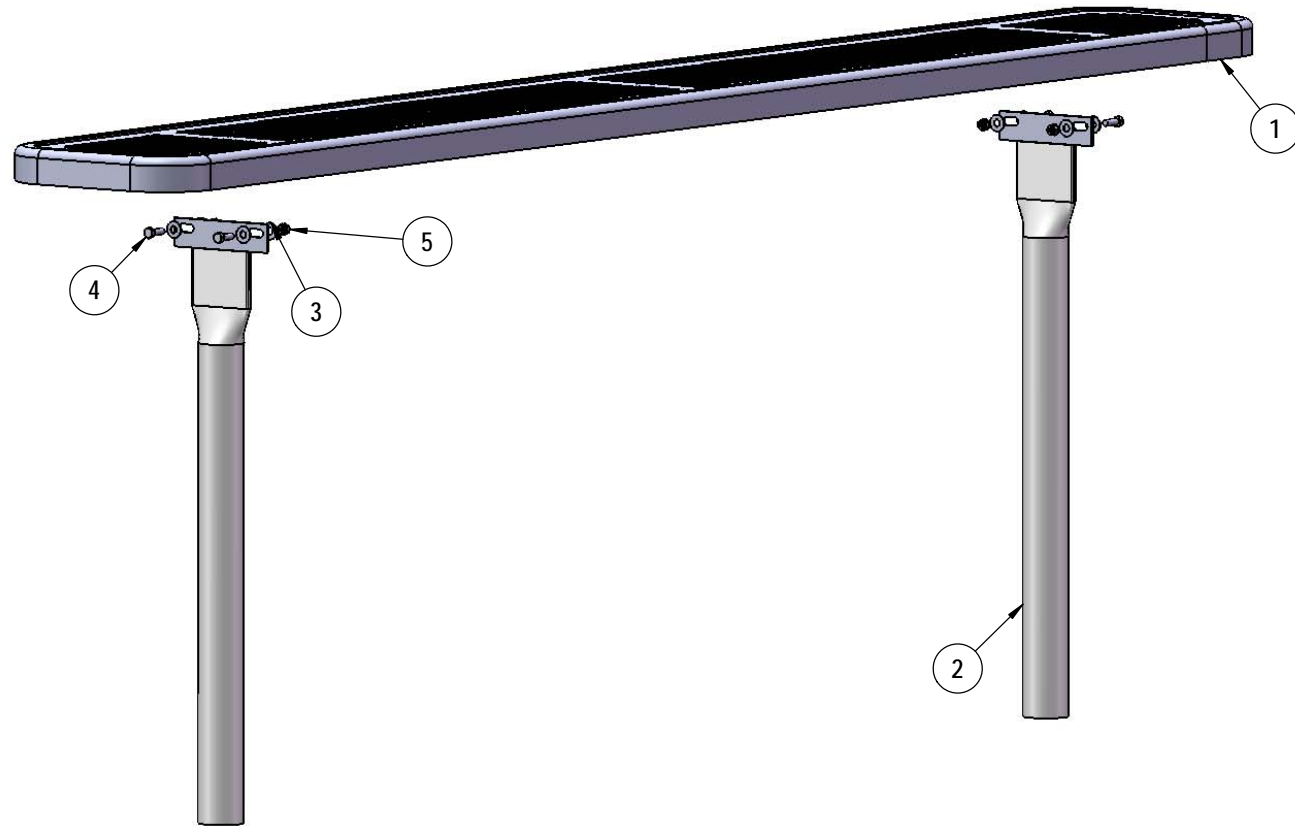
Frame Coating: Electrostatic powder coated application oven cured.

Hardware: All stainless steel hardware fasteners.

Dimensions: 8' bench inground without back. Seats are 12" wide x 96" long. Seat height is 18". Total Depth is 12".

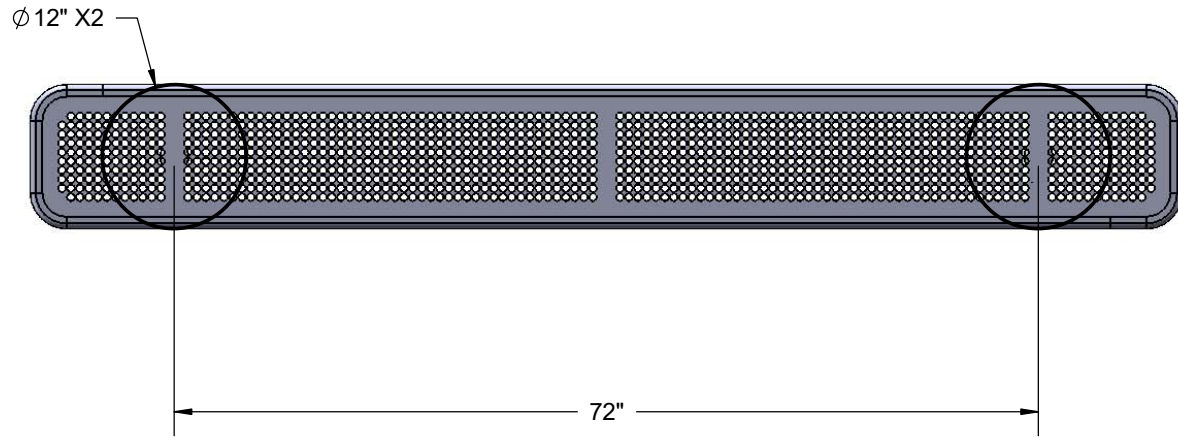
COMPONENTS

Attach the 8' Punched Seat to the Legs using specified hardware.



ITEM NO.	PartNo	DESCRIPTION	QTY.
1	T-P96-S	8' Punched Seat	1
2	P-V942S	942S VINYL LEG	2
3	33-02-0007	5/16" SS Washer	8
4	33-05-0029	5/16" x 1" Machine Bolt (SS)	4
5	33-03-0012	5/16" Kep Nut (SS)	4

FOOTINGS



Estimated Required Concrete:
7 - 50 lb. Bags of Concrete Mix



OVERALL DIMENSIONS

