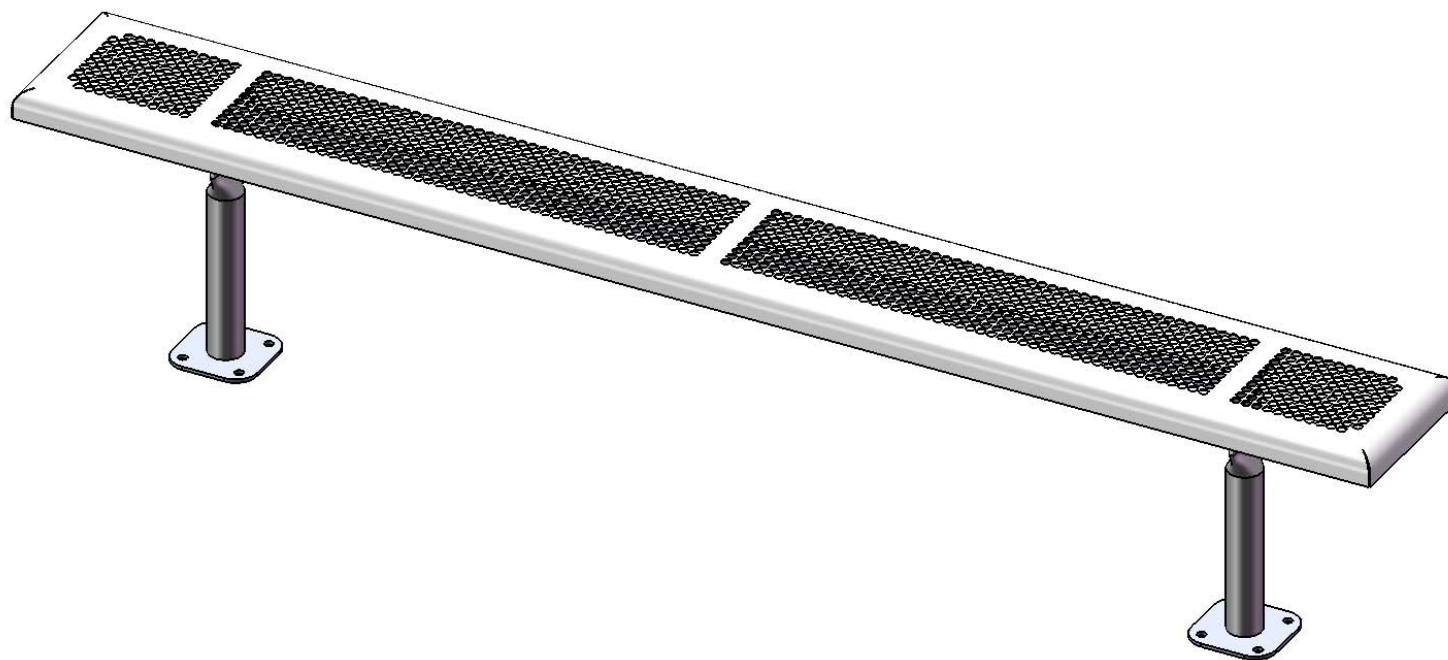


Site Amenities

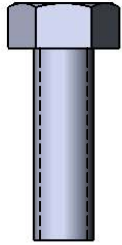
BY SUPERIOR RECREATIONAL PRODUCTS



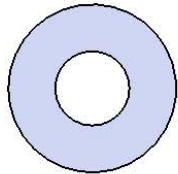
Model # B8PERFSM

S SUPERIOR[®]
RECREATIONAL PRODUCTS
A PLAYCORE Company

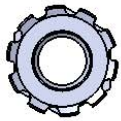
HARDWARE



5/16" x 1"
Machine Bolt



5/16" Washer



5/16" Kep Nut

PRODUCT SPECIFICATIONS

B8PERFSM SURFACE MOUNT BENCH WITHOUT BACK

Seat: Seats shall have a 1 ½" radius edge, fabricated from a 12 ga. plate with a bottom lip for added strength. Holes are precision punched at 5/8" diameter. 7 gauge x 1-1/2" flat bar center support and mounting bracket understructure. Electrically MIG welded.

Coating: Oven fused functionalized polyethylene copolymer-based thermoplastic. Fluidized bed coating application with superior mechanical performance, impact resistance and UV-stability.

Frame: 2-3/8" O.D. x 12 gauge pre-galvanized structural steel tubing. Tube ends are pre-galvanized steel capped. Seat mounting points are 7 gauge x 1-1/2" die stamped steel flat bar. Cross braces are 1.029 O.D. x 15 gauge pre-galvanized structural steel tubing. All electrically MIG welded.

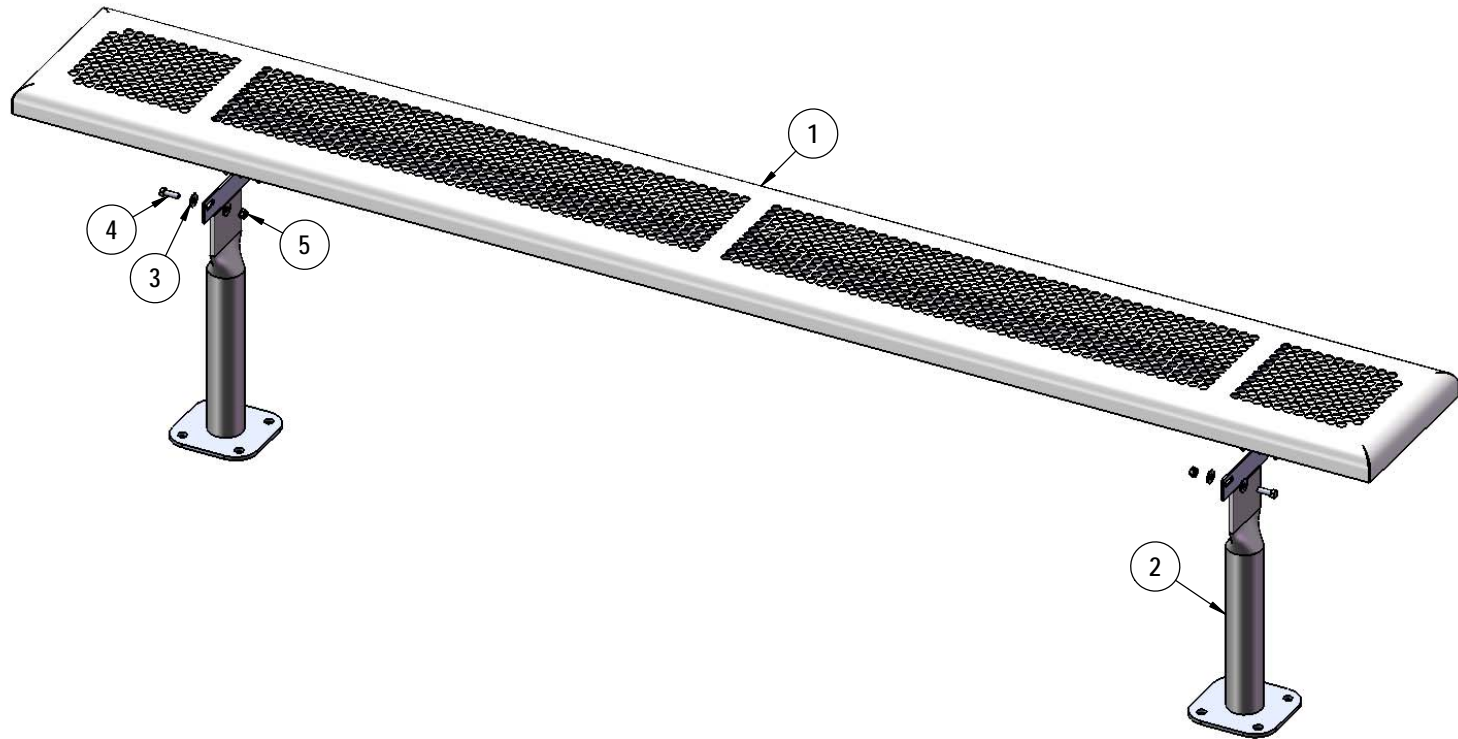
Frame Coating: Electrostatic powder coated application oven cured.

Hardware: All stainless steel hardware fasteners.

Dimensions: 8' bench surface mount without back. Seats are 12" wide x 96" long. Seat height is 18-1/2". Total depth of bench is 12".

COMPONENTS

Attach the 8' Punched Rolled Seat to the Legs using specified hardware.



ITEM NO.	PartNo	DESCRIPTION	QTY.
1	T-PR96-S	8' Punched Rolled Seat	1
2	P-V942SM	942SM VINYL LEG	2
3	33-02-0007	5/16" SS Washer	8
4	33-05-0029	5/16" x 1" Machine Bolt (SS)	4
5	33-03-0012	5/16" Kep Nut (SS)	4

Recommended Surface Mount Hardware:
 3/8" x 3-1/2" Concrete Expansion Anchor Bolts
 (Not Included)



OVERALL DIMENSIONS

