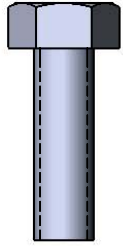
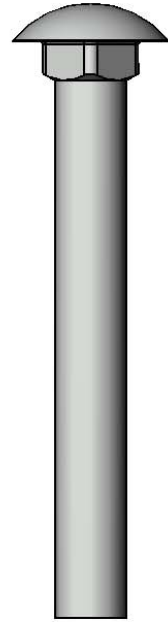


Model # B8RCP

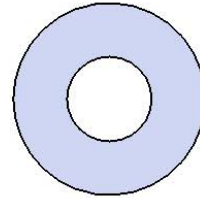
# HARDWARE



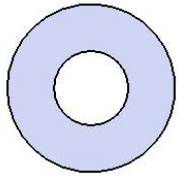
5/16" x 1"  
Machine Bolt



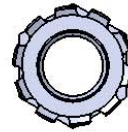
3/8" x 3"  
Carriage Bolt



3/8" Washer



5/16" Washer

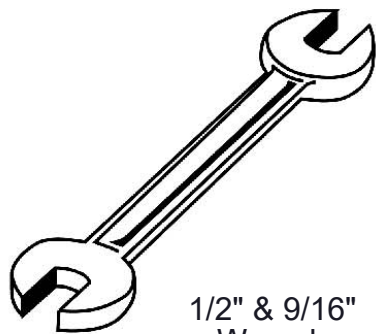


3/8" Kep Nut

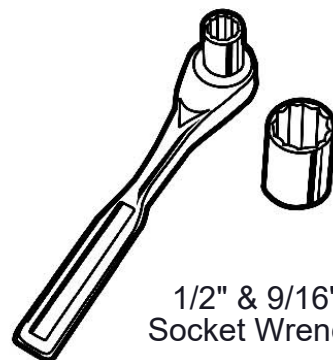


5/16" Kep Nut

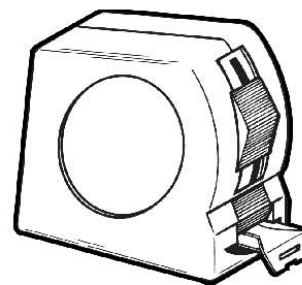
## TOOLS REQUIRED



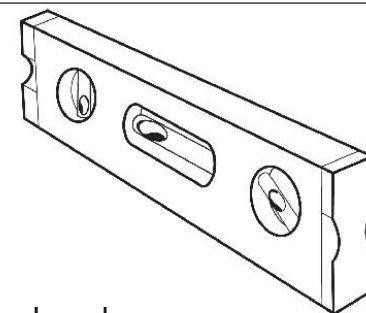
1/2" & 9/16"  
Wrench



1/2" & 9/16"  
Socket Wrench



Tape Measure



Level

# PRODUCT SPECIFICATIONS

## **B8RCP PORTABLE BENCH WITHOUT BACK**

Seats: Angle frame made with 2" x 2" x 1/8" structural steel angle. 3/4" #9 steel expanded metal. 10 gauge x 1-1/2" flat bar center support and mounting bracket understructure. Electrically MIG welded.

Coating: Oven fused functionalized polyethylene copolymer-based thermoplastic. Fluidized bed coating application with superior mechanical performance, impact resistance and UV-stability.

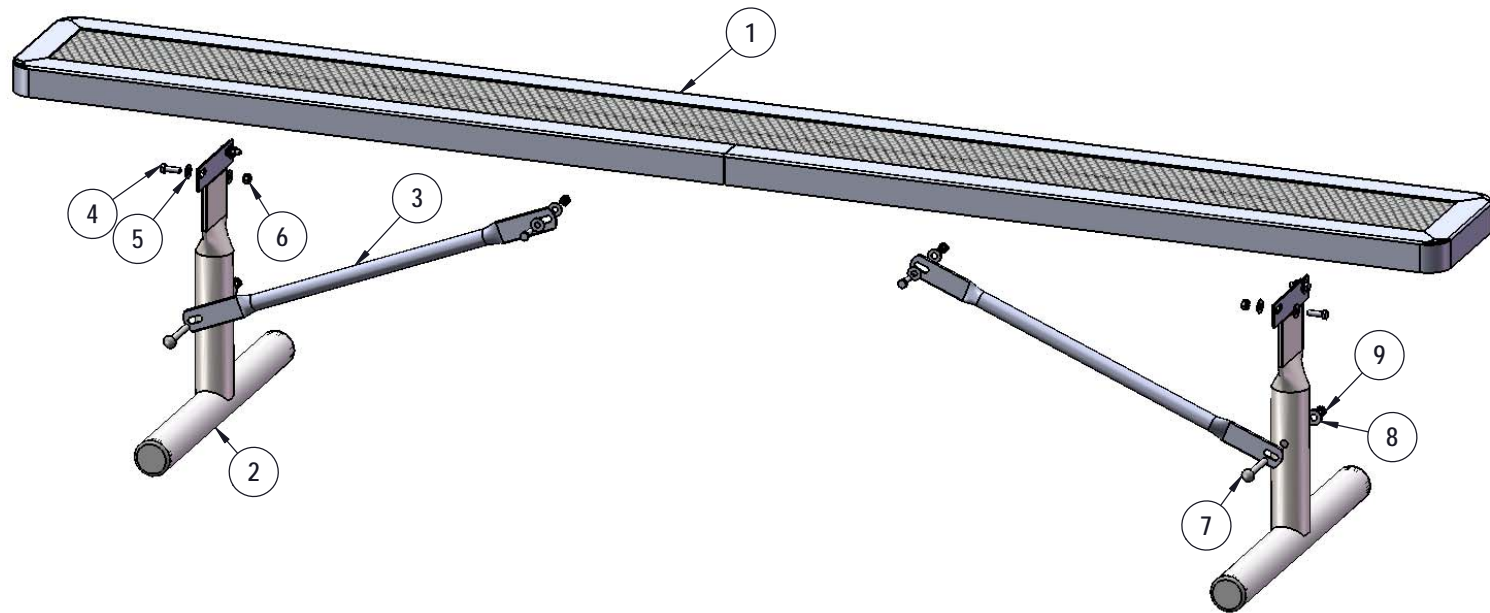
Frame: 2-3/8" O.D. x 12 gauge pre-galvanized structural steel tubing. Tube ends are pre-galvanized steel capped. Seat mounting points are 7 gauge x 1-1/2" die stamped steel flat bar. Cross braces are 1" O.D. x 16 gauge pre-galvanized structural steel tubing. All electrically MIG welded.

Frame Coating: Electrostatic powder coated application oven cured.

Hardware: All stainless steel hardware fasteners.

Dimensions: 8' bench portable without back. Seats are 10" wide x 96" long. Seat height is 18-7/16". Total depth of seat is 22-3/8".

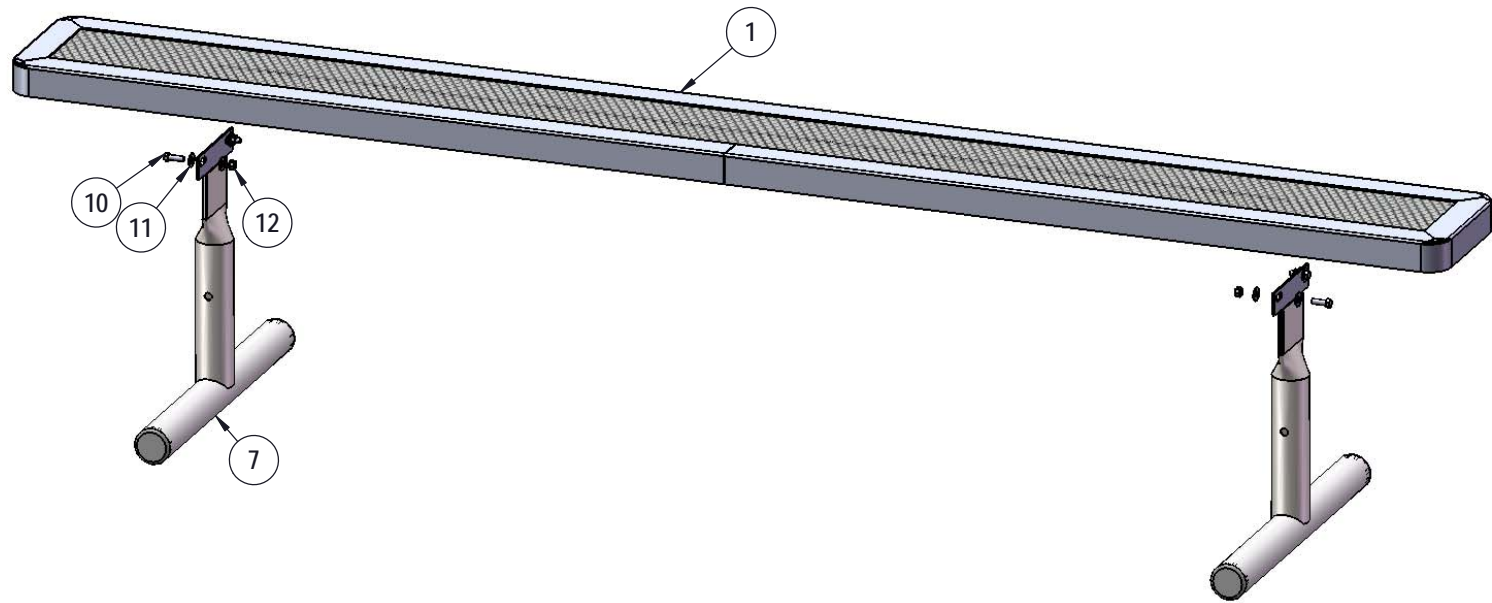
# COMPONENTS



ITEM NO.	PartNo	DESCRIPTION	Qty.
1	RC96-S	8' long x 10" wide regal expanded seat	1
2	P-V942P	942P Vinyl Leg	2
3	P-01-04-0129	26 3/4" Brace	2
4	33-05-0029	5/16" x 1" Machine Bolt (SS)	6
5	33-02-0007	5/16" SS Washer	12
6	33-03-0012	5/16" Kep Nut (SS)	6
7	33-06-0058	3/8" x 3" Carriage Bolt (SS)	2
8	33-02-0008	3/8" Flat Washer (SS)	2
9	33-03-0013	3/8" Kep Nut (SS)	2

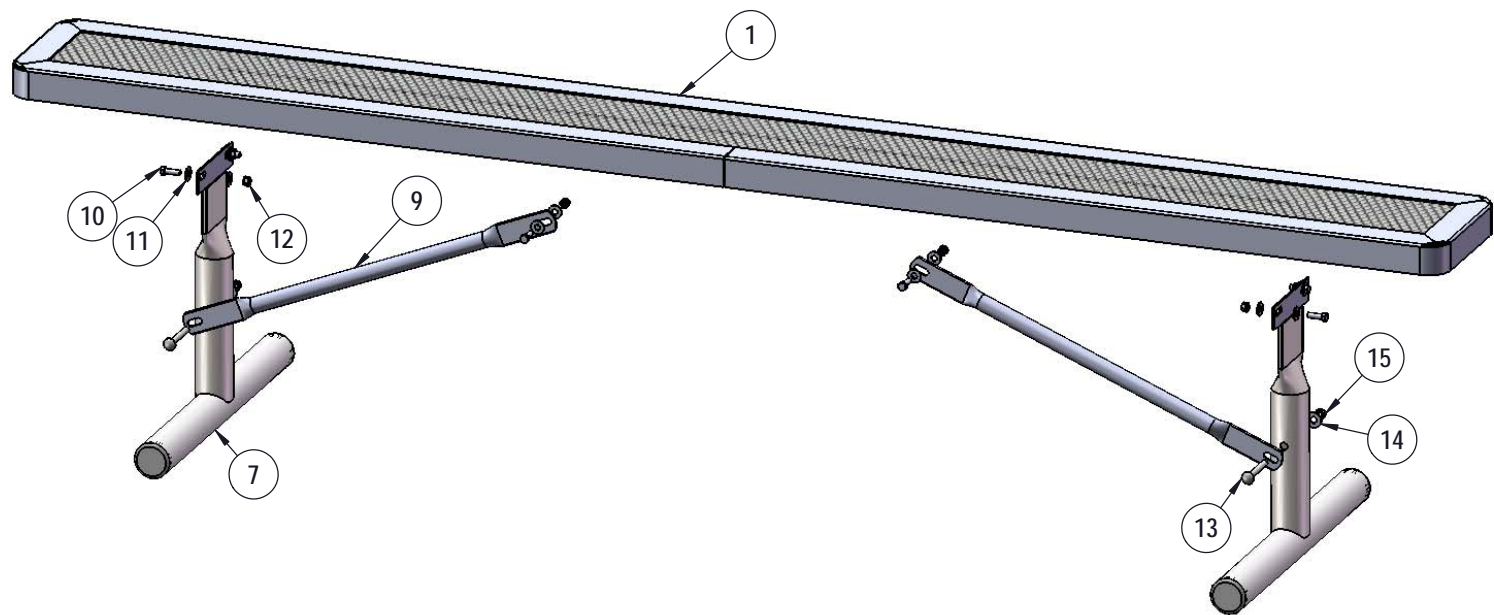
**Superior**<sup>®</sup>  
 RECREATIONAL PRODUCTS  
A PLAYCORE Company

# STEP 1



Attach the 8' Expanded Seat to the legs using specified hardware.

## STEP 2



Attach the 29-1/2" Braces to the legs as shown using specified hardware.

**Superior**<sup>®</sup>  
RECREATIONAL PRODUCTS  
A PLAYCORE Company

# OVERALL DIMENSIONS

