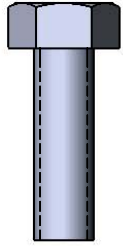
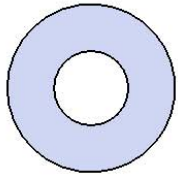


Model # B8RCSM

# HARDWARE



5/16" x 1"  
Machine Bolt

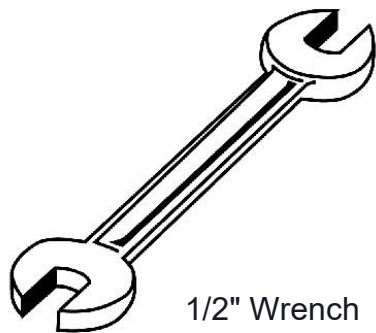


5/16" Washer

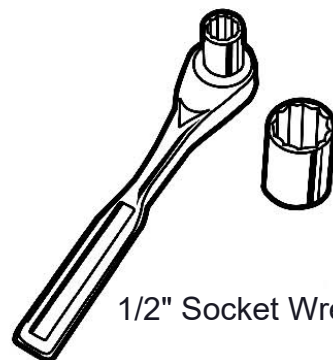


5/16" Kep Nut

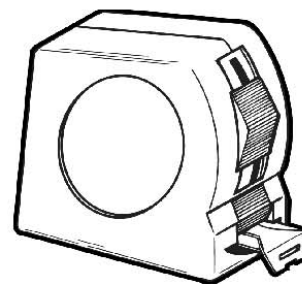
## TOOLS REQUIRED



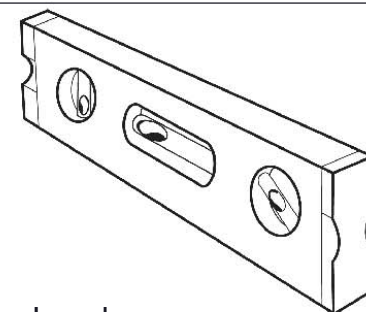
1/2" Wrench



1/2" Socket Wrench



Tape Measure



Level

# PRODUCT SPECIFICATIONS

## **B8RCSM SURFACE MOUNT BENCH WITHOUT BACK**

Seats: Angle frame made with 2" x 2" x 1/8" structural steel angle. 3/4" #9 steel expanded metal. 10 gauge x 1-1/2" flat bar center support and mounting bracket understructure. Electrically MIG welded.

Coating: Oven fused functionalized polyethylene copolymer-based thermoplastic. Fluidized bed coating application with superior mechanical performance, impact resistance and UV-stability.

Frame: 2-3/8" O.D. x 12 gauge pre-galvanized structural steel tubing. Tube ends are pre-galvanized steel capped. Seat mounting points are 7 gauge x 1-1/2" die stamped steel flat bar. All electrically MIG welded.

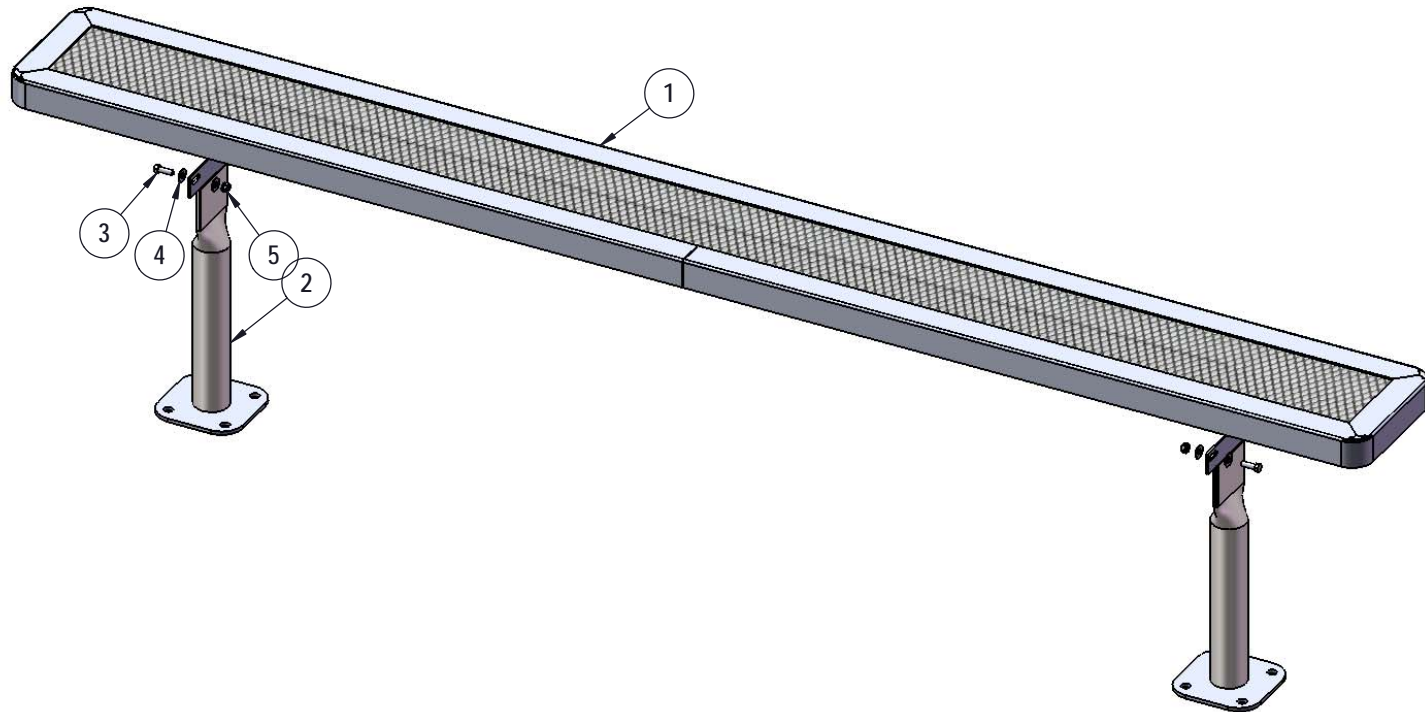
Frame Coating: Electrostatic powder coated application oven cured.

Hardware: All stainless steel hardware fasteners.

Dimensions: 8' bench surface mount without back. Seats are 10" wide x 96" long. Seat height is 19" from the ground. Overall height is 32-1/4".

# COMPONENTS

Attach the 8' Expanded Seat to the legs using specified hardware.



ITEM NO.	PartNo	DESCRIPTION	Qty.
1	RC96-S	8' long x 10" wide regal expanded seat	1
2	P-V942SM	942SM VINYL LEG	2
3	33-05-0029	5/16" x 1" Machine Bolt (SS)	4
4	33-02-0007	5/16" SS Washer	8
5	33-03-0012	5/16" Kep Nut (SS)	4

**Superior**<sup>®</sup>  
RECREATIONAL PRODUCTS  
A PLAYCORE Company

# OVERALL DIMENSIONS

