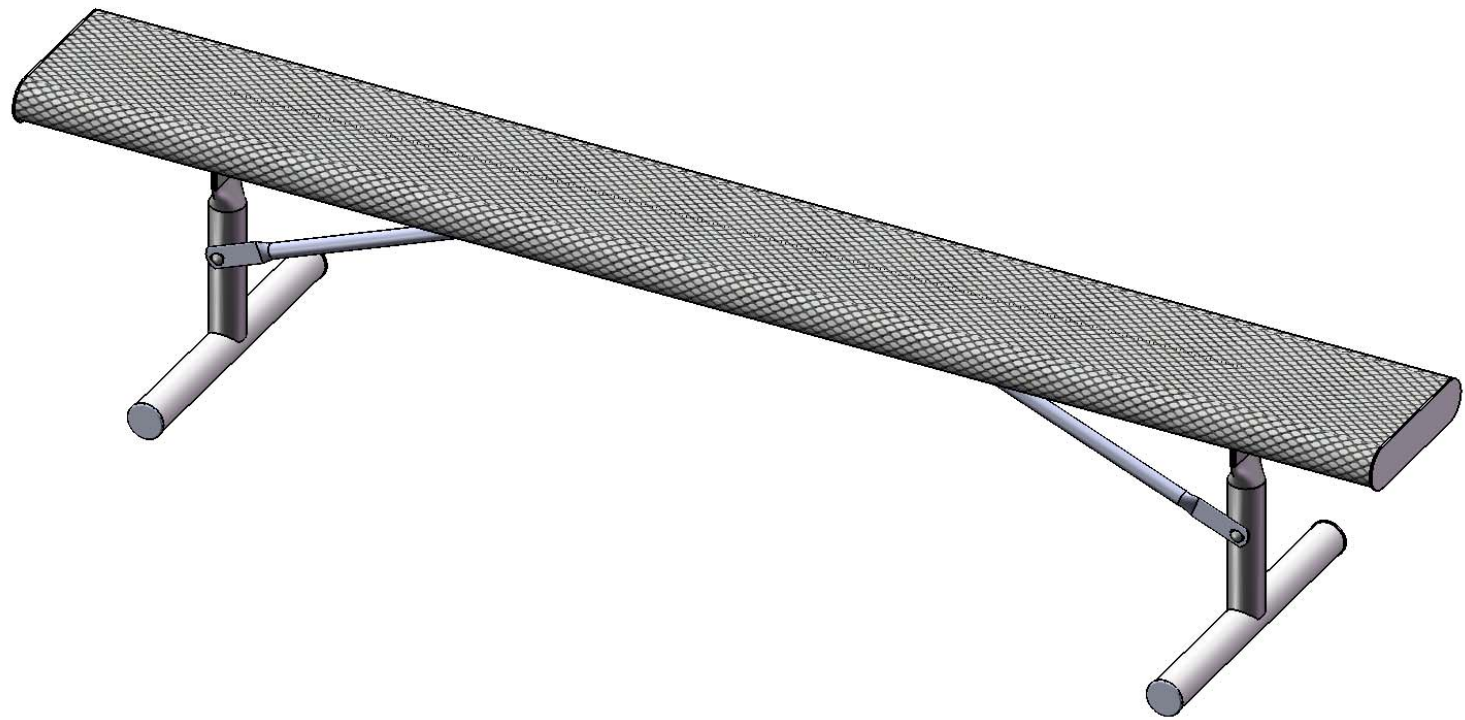


Site Amenities

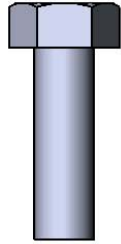
BY SUPERIOR RECREATIONAL PRODUCTS



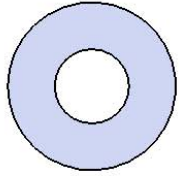
Model # B8ROLLP

S SUPERIOR[®]
RECREATIONAL PRODUCTS
A PLAYCORE Company

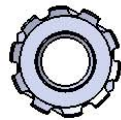
HARDWARE



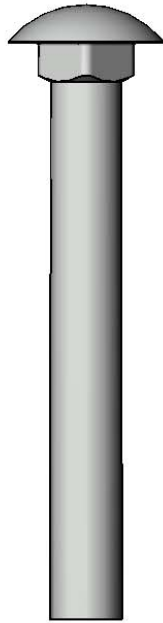
5/16" x 1"
Machine Bolt



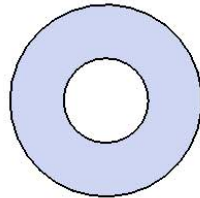
5/16" Washer



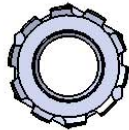
5/16" Kep Nut



3/8" x 3"
Carriage Bolt



3/8" Washer



3/8" Kep Nut

PRODUCT SPECIFICATIONS

B8ROLLP PORTABLE BENCH WITHOUT BACK

Seats & Back: 7 gauge laser cut end plates for a smooth finish. $\frac{3}{4}$ " x #9 steel expanded metal, rolled to a 3" diameter on both sides. 7 gauge x 1-1/2" flat bar center support and mounting bracket understructure. Electrically MIG welded.

Coating: Oven fused functionalized polyethylene copolymer-based thermoplastic. Fluidized bed coating application with superior mechanical performance, impact resistance and UV-stability.

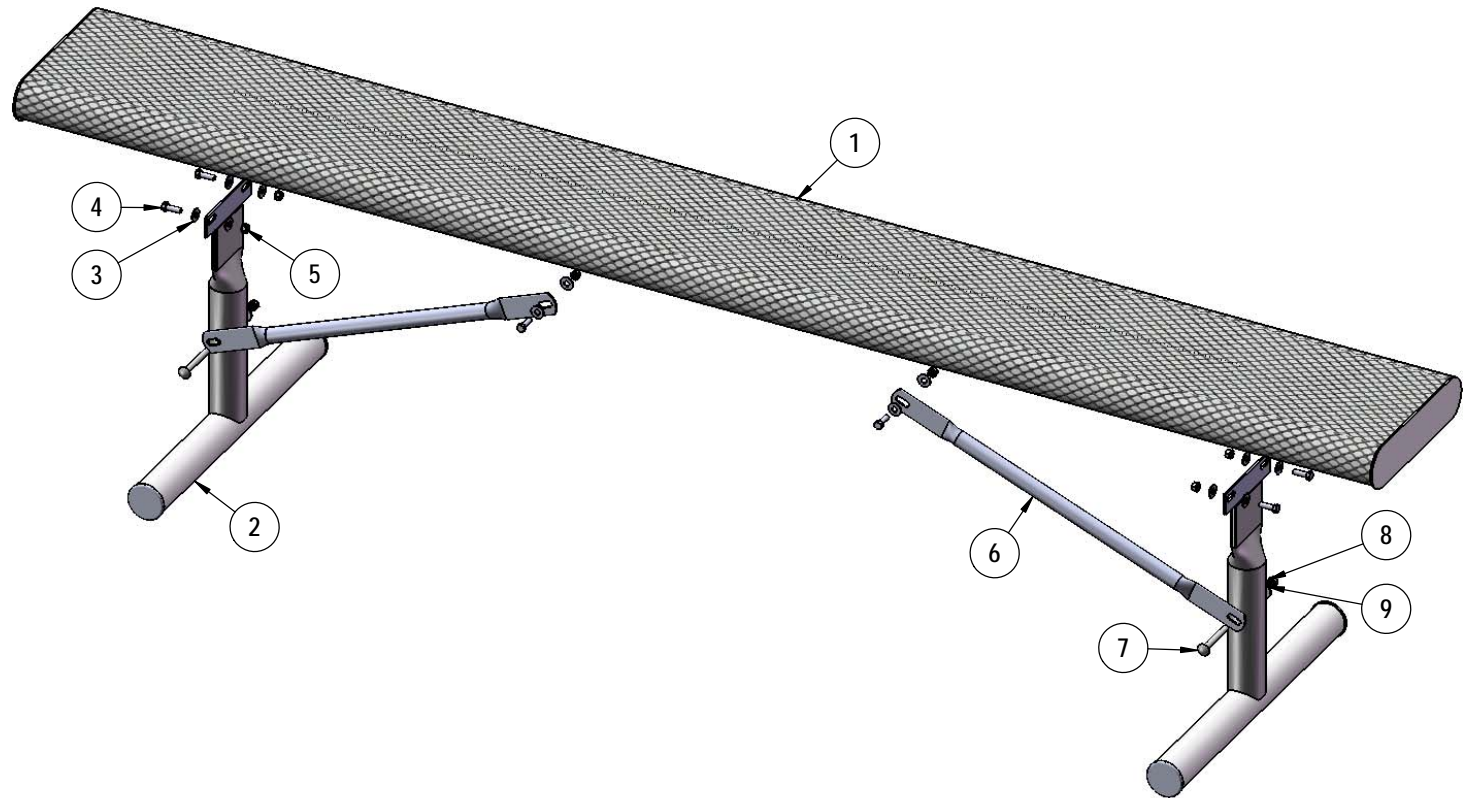
Frame: 2-3/8" O.D. x 12 gauge pre-galvanized structural steel tubing. Tube ends are pre-galvanized steel capped. Seat mounting points are 7 gauge x 1-1/2" die stamped steel flat bar. Cross braces are 1" O.D. x 16 gauge pre-galvanized structural steel tubing. All electrically MIG welded.

Frame Coating: Electrostatic powder coated application oven cured.

Hardware: All stainless steel hardware fasteners.

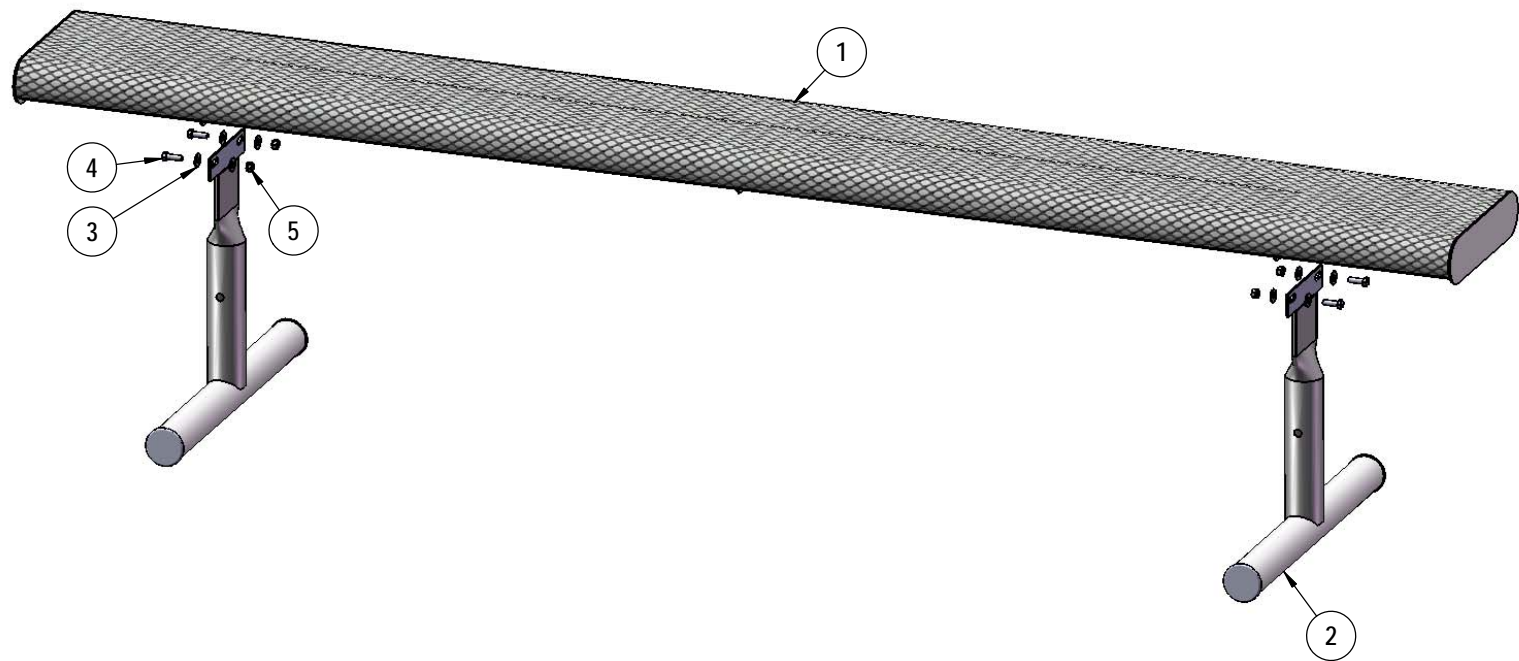
Dimensions: 8' bench portable without back. Seats are 12" wide x 96" long. Seat height is 19-1/2". Total depth of bench is 22".

COMPONENTS



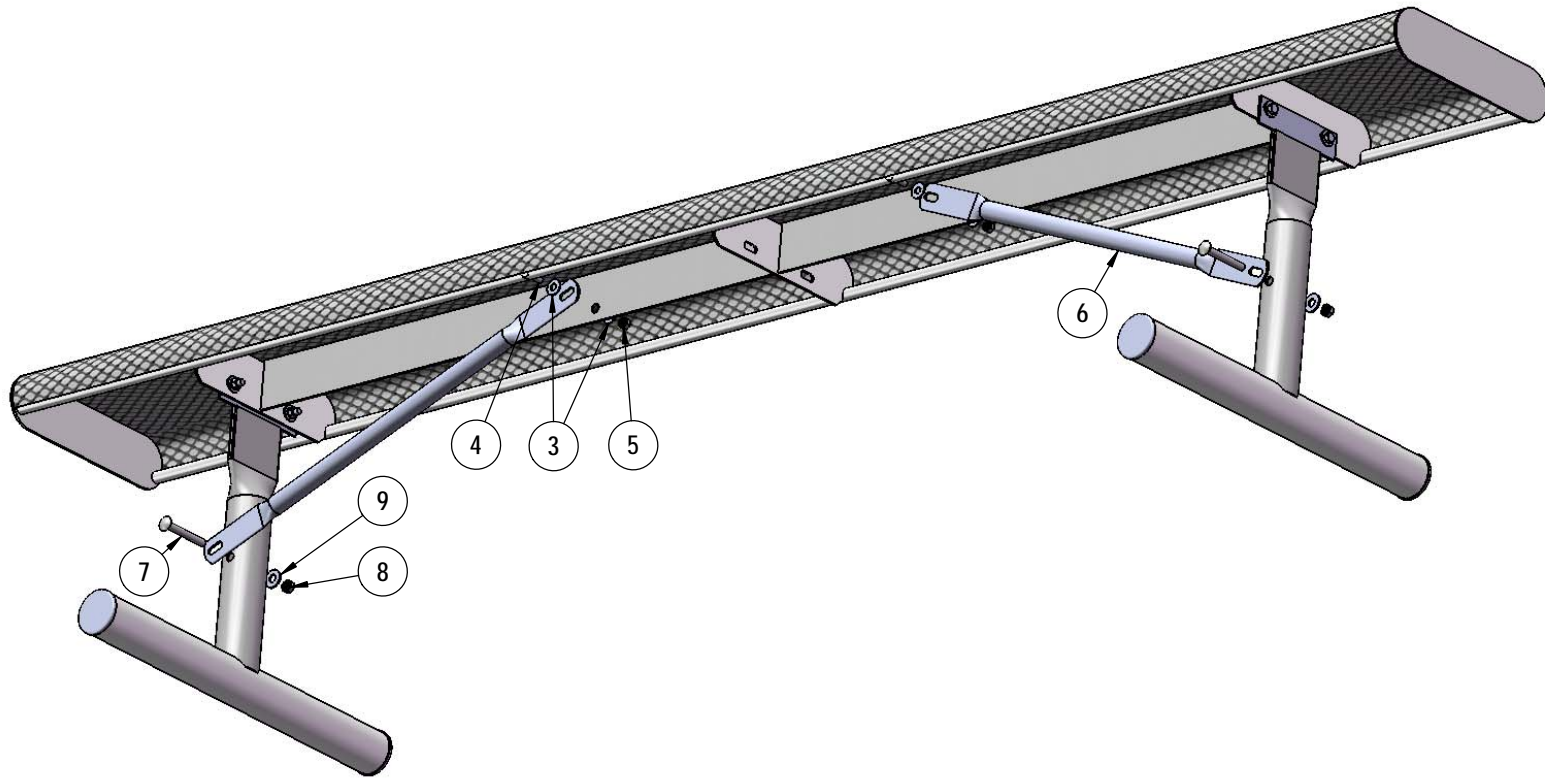
ITEM NO.	PartNo	DESCRIPTION	QTY.
1	T-VR96-S	8' Vinyl Rolled Seat	1
2	P-V942P	942P Vinyl Leg	2
3	33-02-0007	5/16" SS Washer	12
4	33-05-0029	5/16" x 1" Machine Bolt (SS)	6
5	33-03-0012	5/16" Kep Nut (SS)	6
6	P-01-04-0129	26 3/4" Brace	2
7	33-06-0058	3/8" x 3" Carriage Bolt (SS)	2
8	33-03-0013	3/8" Kep Nut (SS)	2
9	33-02-0008	3/8" Flat Washer (SS)	2

STEP 1



Attach the Vinyl Rolled Seat to the Legs as shown using specified hardware.

STEP 2



Attach the 26-3/4" Braces to the Legs as shown using specified hardware.

OVERALL DIMENSIONS

