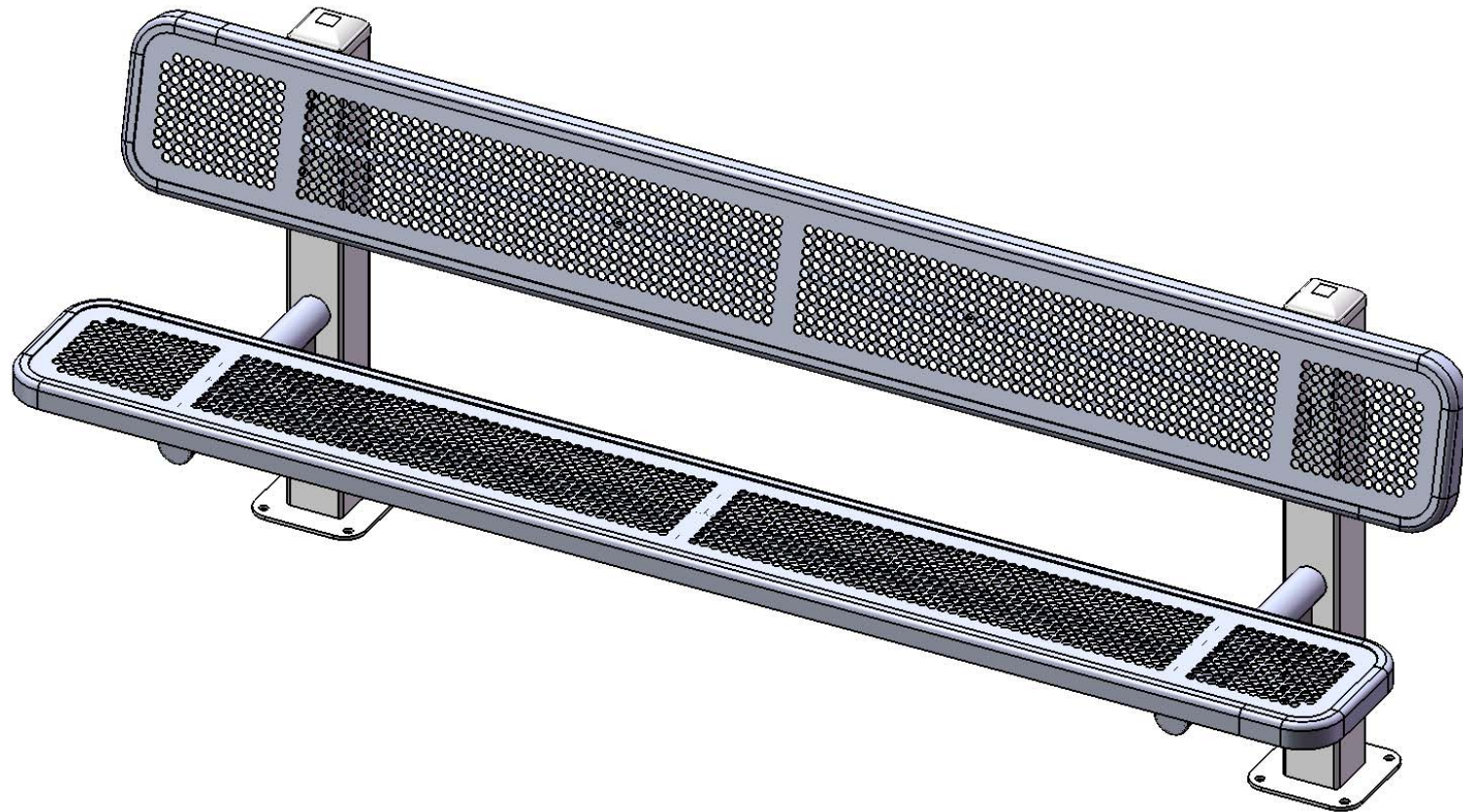


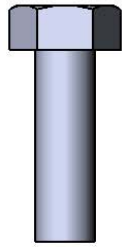
Site Amenities

BY SUPERIOR RECREATIONAL PRODUCTS

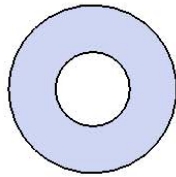


Model # B8WBINNV4-4SM

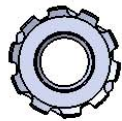
HARDWARE



5/16" x 1"
Machine Bolt



5/16" Washer



5/16" Washer

PRODUCT SPECIFICATIONS

B8WBINNV4-4SM SINGLE SIDED SURFACE MOUNT BENCH WITH BACK

Seat & Back: 11 gauge die formed angle frame 1"x1-7/8" with 3" radius corners. 12 ga. sheet steel is punched with 5/8" diameter holes to create the perforated pattern. 7 gauge x 1-1/2" flat bar center support and mounting bracket understructure. Electrically MIG welded.

Coating: Oven fused functionalized polyethylene copolymer-based thermoplastic. Fluidized bed coating application with superior mechanical performance, impact resistance and UV-stability.

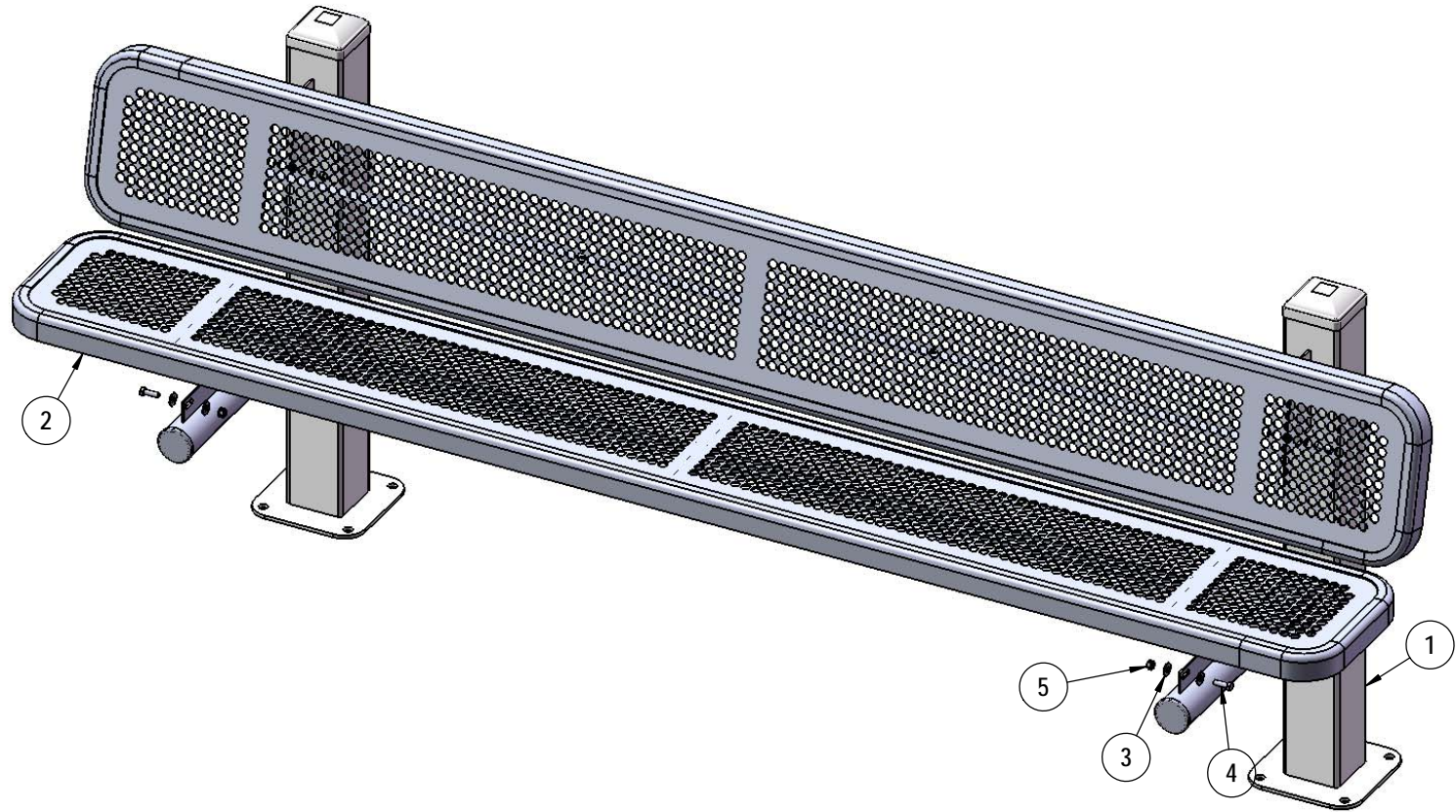
Frame: The main post is fabricated from 4 x 4 x 11 gauge square tubing. 2-3/8" O.D. x 12 gauge pre-galvanized structural steel tubing seat support. Seat arms are supported by a 1/4" thick, 6" gusset. Tube ends are pre-galvanized steel capped. Seat and back mounting points are 7 gauge x 1-1/2" die stamped steel flat bar. All electrically MIG welded.

Frame Coating: Electrostatic powder coated application oven cured.

Hardware: All stainless steel hardware fasteners.

Dimensions: 8' bench surface mount with back. Seat and back are 12" wide x 96" long. Seat height is 18-1/2". Seat back height is 35-1/2". Total depth of seat with back is 25".

COMPONENTS

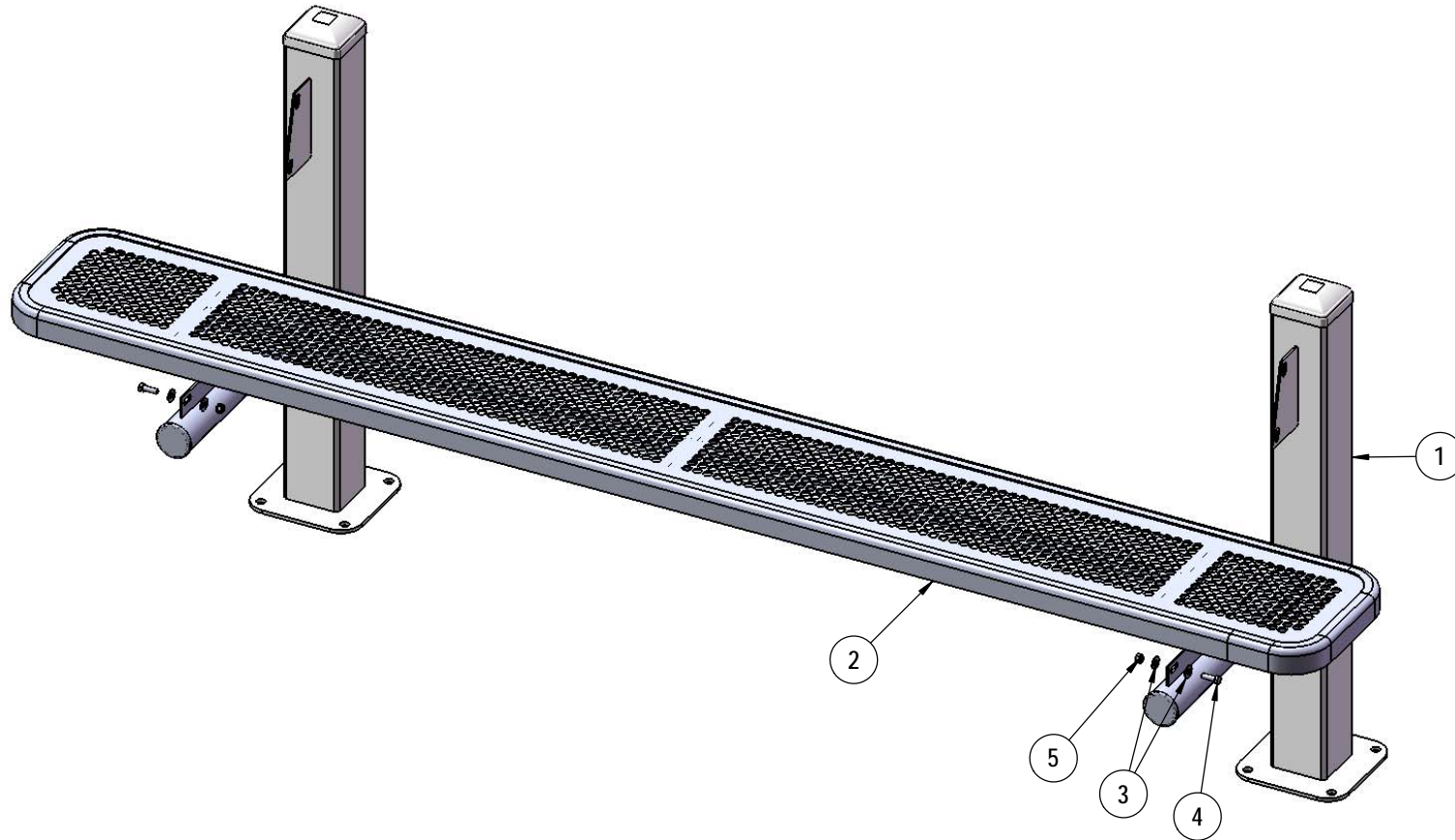


| ITEM NO. | PartNo | DESCRIPTION | QTY. |
|----------|------------|------------------------------|------|
| 1 | P-V961SM | 961 Vinyl Surface Mount Leg | 2 |
| 2 | T-P96-S | 8' Punched Seat | 2 |
| 3 | 33-02-0007 | 5/16" SS Washer | 16 |
| 4 | 33-05-0029 | 5/16" x 1" Machine Bolt (SS) | 8 |
| 5 | 33-03-0012 | 5/16" Kep Nut (SS) | 8 |

Optional Surface Mount Hardware:
 3/8" x 3-1/2" Concrete Expansion Anchor Bolts
 (Not Included)

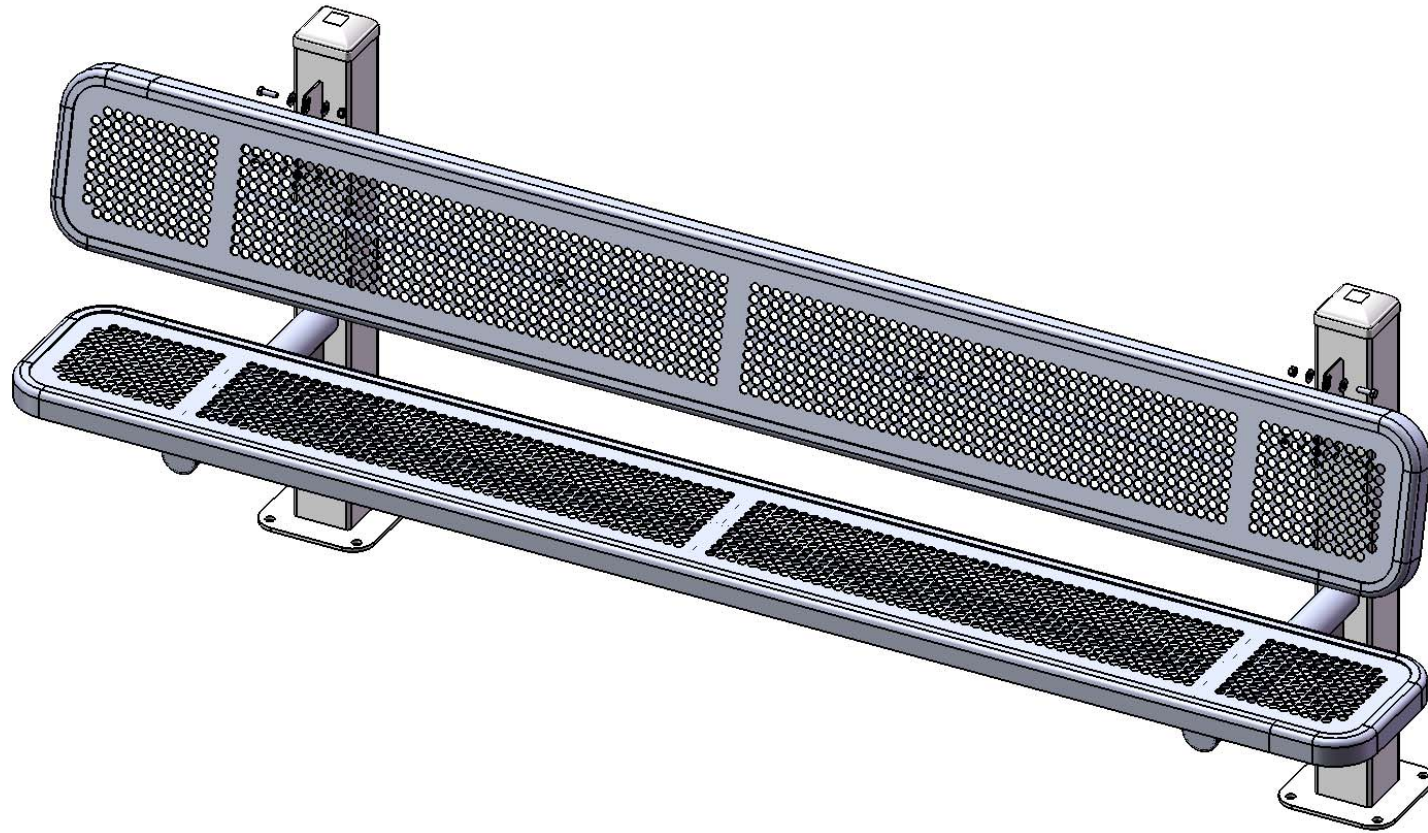


STEP 1



Attach the 8' Seat to the Legs using specified hardware.

STEP 2



Repeat Step 1 for the back.

OVERALL DIMENSIONS

