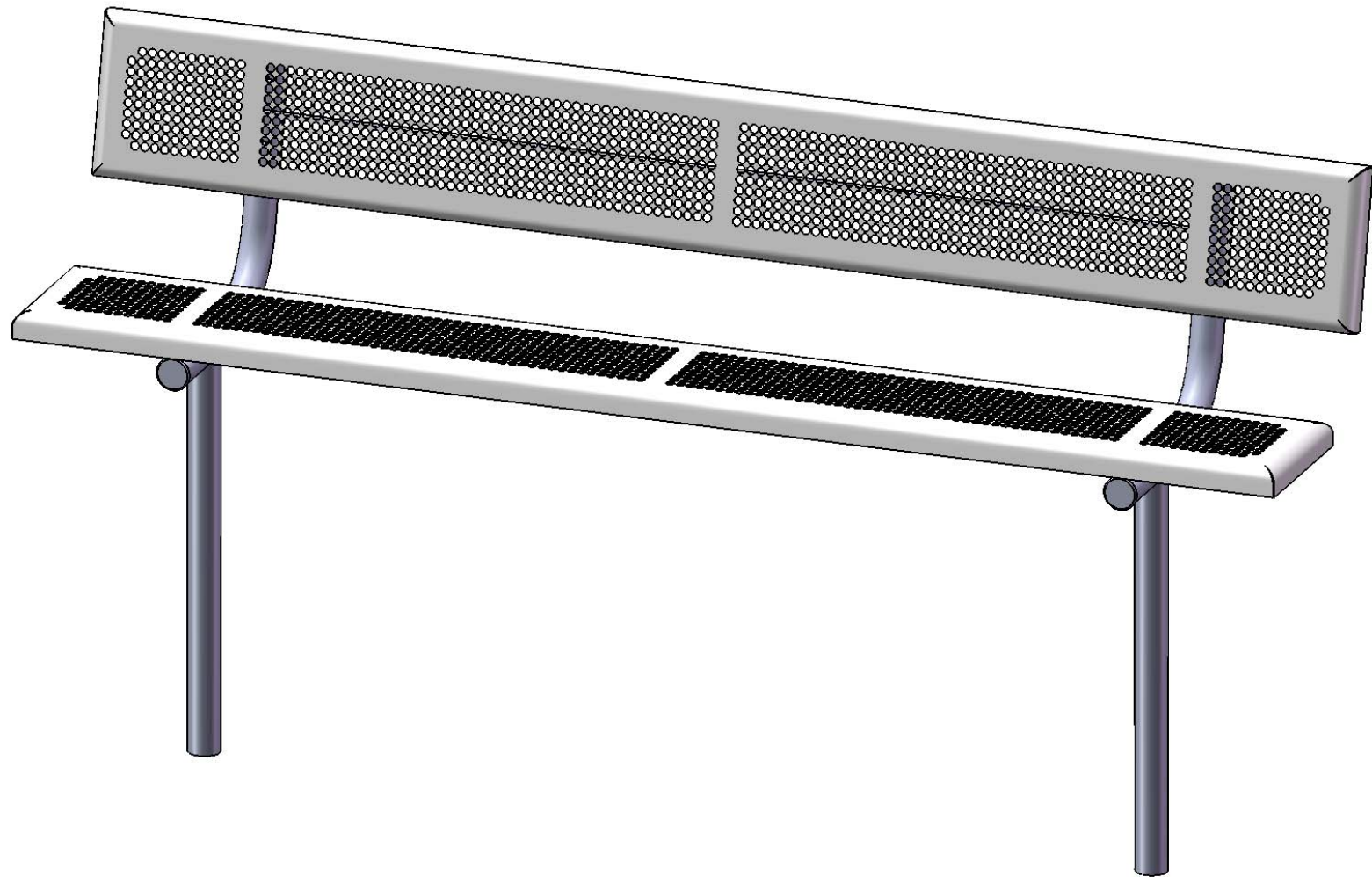


# Site Amenities

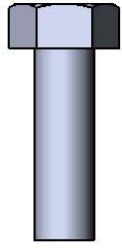
BY SUPERIOR RECREATIONAL PRODUCTS



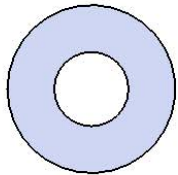
Model # B8WBPERFS

**S** SUPERIOR<sup>®</sup>  
RECREATIONAL PRODUCTS  
A PLAYCORE Company

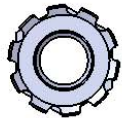
# HARDWARE



5/16" x 1"  
Machine Bolt



5/16" Washer



5/16" Keeplow Nut

# PRODUCT SPECIFICATIONS

## **B8WBPERFS INGROUND BENCH WITH BACK**

**Seats & Back:** Seats shall have a 1 1/2" radius edge, fabricated from a 14ga plate. Holes are precision punched at 5/8" diameter. 7 gauge x 1-1/2" flat bar center support and mounting bracket understructure. Electrically MIG welded.

**Coating:** Oven fused functionalized polyethylene copolymer-based thermoplastic. Fluidized bed coating application with superior mechanical performance, impact resistance and UV-stability.

**Frame:** 2-3/8" O.D. x 12 gauge pre-galvanized structural steel tubing. Seat/back support is bent over a mandrel through the bend radius producing a wrinkle free bend. Tube ends are pre-galvanized steel capped. Seat mounting points are 7 gauge x 1-1/2" die stamped steel flat bar. All electrically MIG welded.

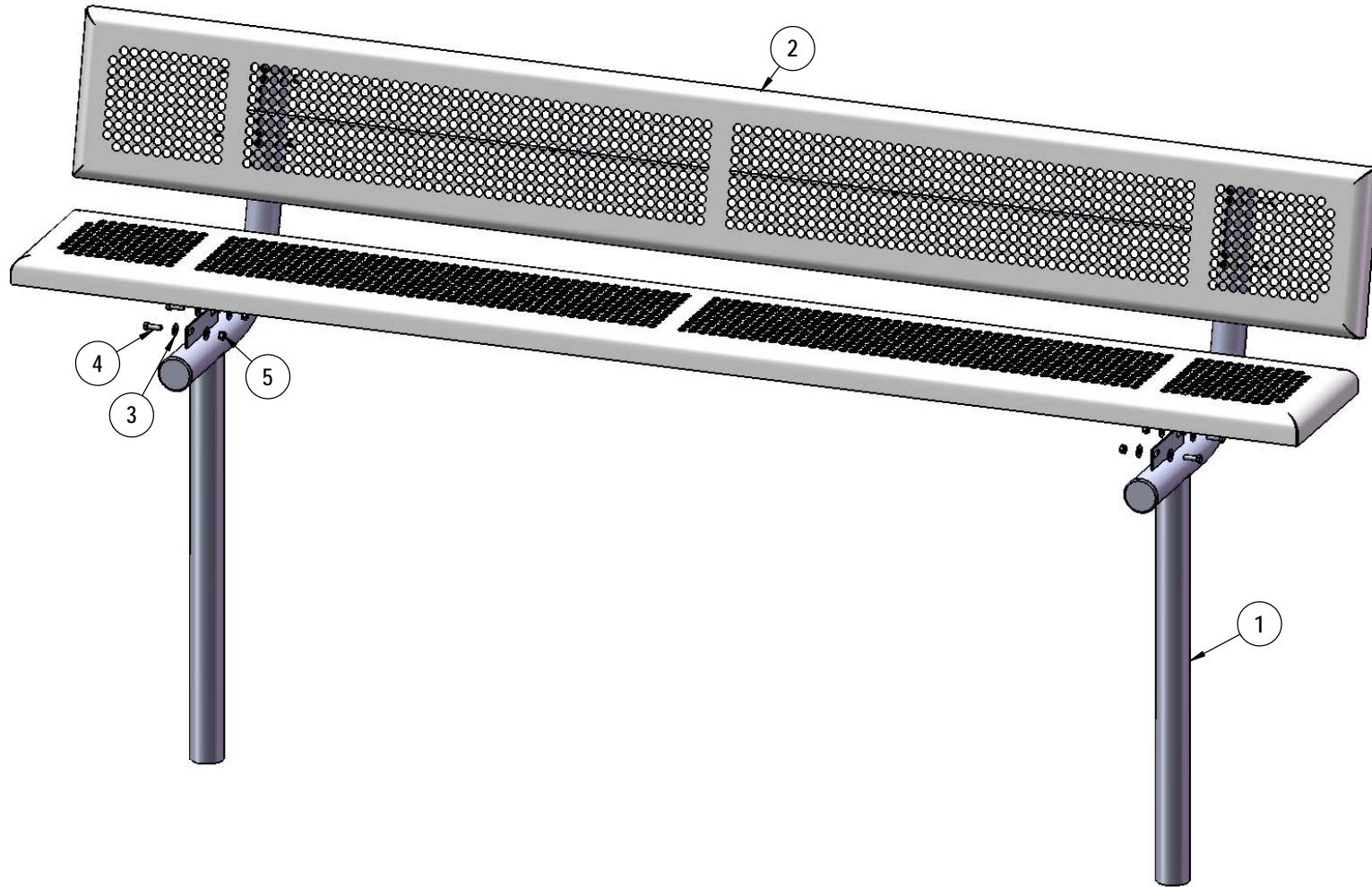
**Frame Coating:** Electrostatic powder coated application oven cured.

**Hardware:** All stainless steel hardware fasteners.

**Dimensions:** 8' bench inground with back. Seats and back 12" wide x 96" long. Seat height is 18", seat back height is 34-3/4". Total depth of seat with back is 22-1/4".

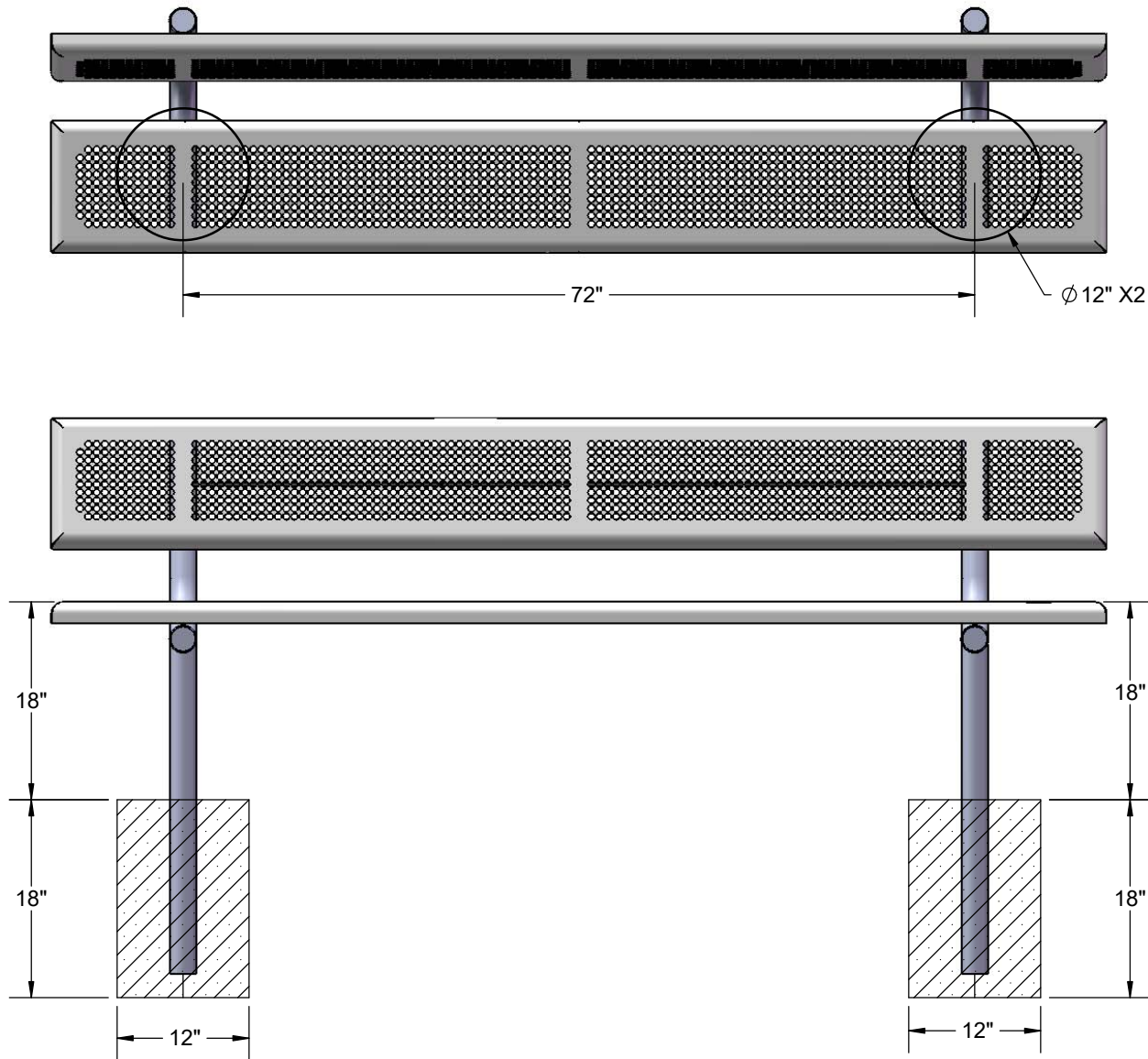
# COMPONENTS

Attach the Seats to the Legs as shown using specified hardware.



ITEM NO.	PartNo	DESCRIPTION	QTY.
1	P-V940S	940 In Ground Leg	2
2	T-PR96-S	8' Punched Rolled Seat	2
3	33-02-0007	5/16" SS Washer	16
4	33-05-0029	5/16" x 1" Machine Bolt (SS)	8
5	33-03-0012	5/16" Kep Nut (SS)	8

# FOOTINGS



Estimated Required Concrete:  
7 - 50lb Bags of Concrete Mix

# OVERALL DIMENSIONS

