

Site Amenities

BY SUPERIOR RECREATIONAL PRODUCTS



Model #
CSTACK

 **SUPERIOR**[®]
RECREATIONAL PRODUCTS
A **PLAYCORE** Company

PRODUCT SPECIFICATIONS

CSTACK Stacking Chair with Arms

Seats: 3/4" #9 steel expanded metal. End plates are made of 11 gauge flat steel plate. Reinforced with 3/16 x 1-1/2" flat strip. Electrically MIG welded.

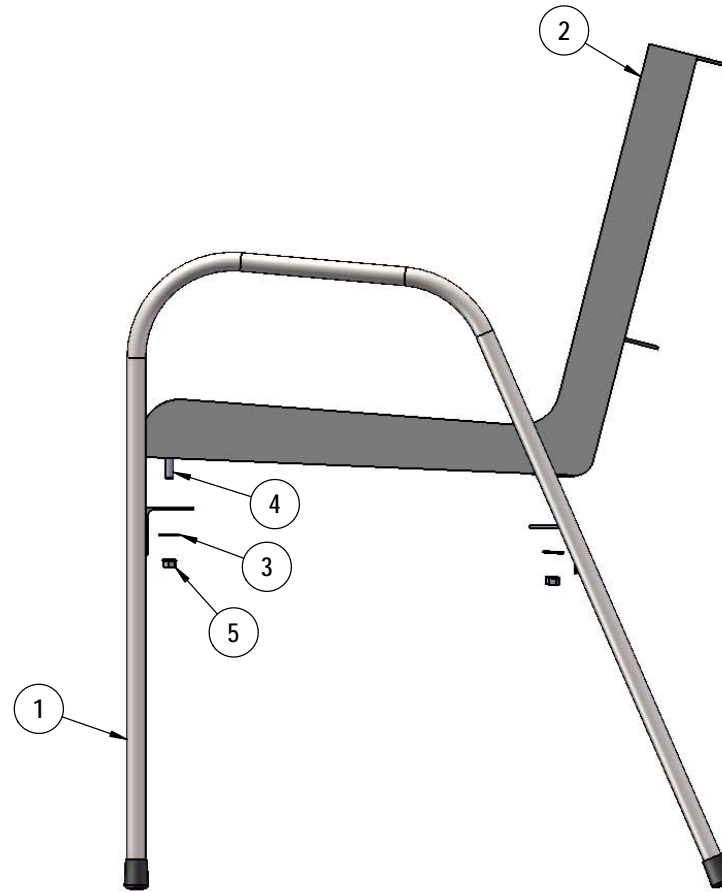
Frame: Legs are made of .75" diameter rod. Attachment angles are made of 2x2x1/8" steel angle. Electrically MIG welded.

Coating: Oven fused functionalized polyethylene copolymer-based thermoplastic. Fluidized bed coating application with superior mechanical performance, impact resistance and UV-stability.

Dimensions: 2' chair. Seats are 24-9/16" wide x 18-3/4" long. Seat height is 18-1/2". Overall dimensions are 25" x 21" x 33".

COMPONENTS

Attach the seat to the frame as shown using specified hardware.



ITEM NO.	PartNo	DESCRIPTION	QTY
1	FSTACK	Frame -For- CSTACK	1
2	SSTACK	Seat CSTACK	1
3	33-02-0007	5/16" SS Washer	6
4	33-05-0029	5/16" x 1" Machine Bolt (SS)	3
5	33-03-0012	5/16" Kep Nut (SS)	3

OVERALL DIMENSIONS

