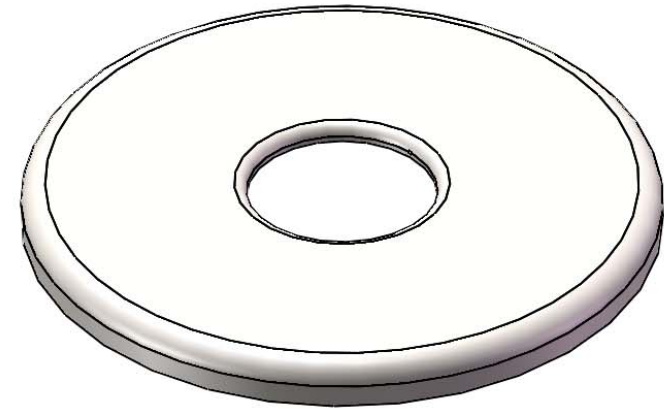
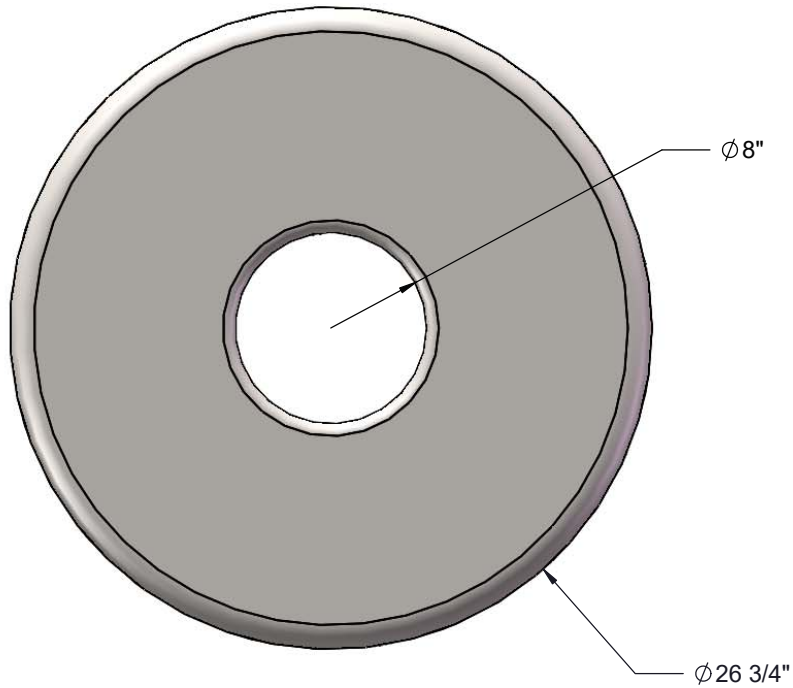


# Site Amenities

BY SUPERIOR RECREATIONAL PRODUCTS

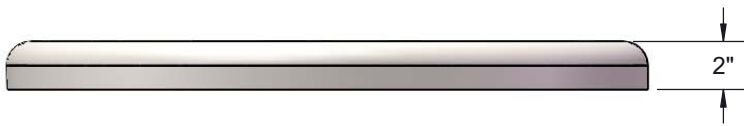


**MODEL #: FLATTOP55-HW  
55 GALLON FLAT TOP**

**MATERIAL:** FLAT TOP SHALL BE FABRICATED FROM 18 GAUGES STEEL FLAT, SPUN TO FORM. OUTSIDE EDGE SHALL HAVE A 1" RADIUS.

**COATING:** OVEN FUSED FUNCTIONALIZED POLYETHYLENE COPOLYMER-BASED THERMOPLASTIC. FLUIDIZED BED COATING APPLICATION WITH SUPERIOR MECHANICAL PERFORMANCE, IMPACT RESISTANCE AND UV-STABILITY.

**TOP DIMENSIONS:** CENTER OPENING SHALL BE 8" INSIDE DIAMETER. THE OVERALL DIMENSIONS SHALL BE 26 3/4" DIAMETER X 2" HIGH.



**S SUPERIOR<sup>®</sup>**  
RECREATIONAL PRODUCTS  
A PLAYCORE Company