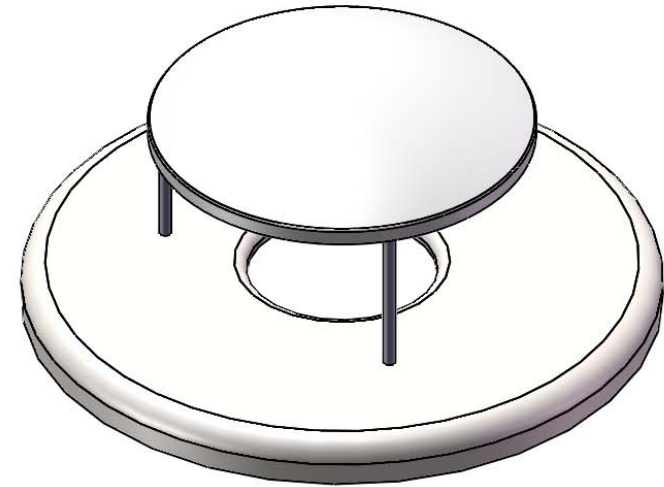
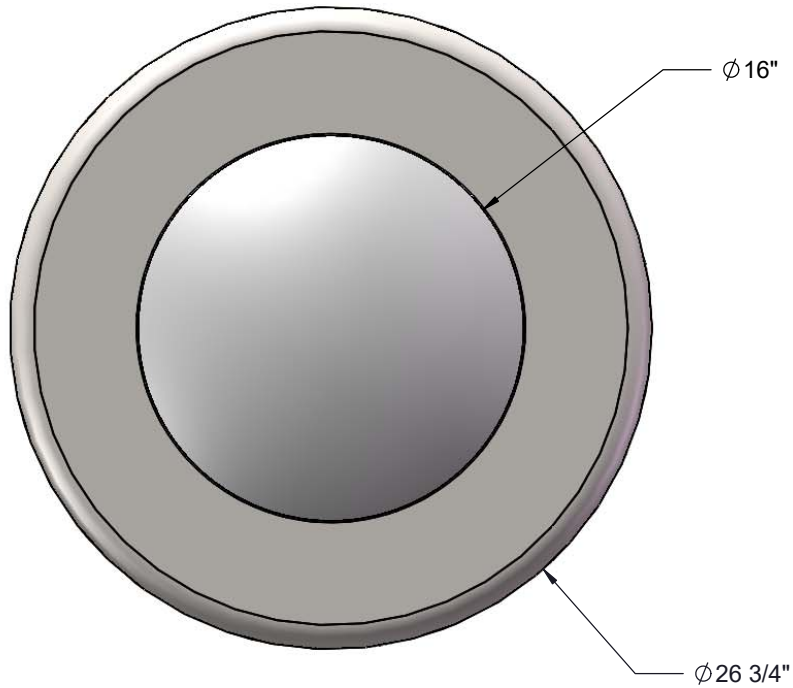


# Site Amenities

BY SUPERIOR RECREATIONAL PRODUCTS



MODEL #: FLATTOP55RB-HW  
55 GALLON RAIN BONNET TOP

MATERIAL: TOP PLATE SHALL BE FABRICATED FROM 18 GAUGE STEEL FLAT, SPUN TO FORM. VERTICAL POSTS ARE 1/2" DIAMETER STEEL RODS. BONNET TOP SHALL BE FABRICATED FROM 20 GAUGE STEEL FLAT, SPUN TO FORM. ALL ELECTRICALLY MIG WELDED.

COATING: OVEN FUSED FUNCTIONALIZED POLYETHYLENE COPOLYMER-BASED THERMOPLASTIC. FLUIDIZED BED COATING APPLICATION WITH SUPERIOR MECHANICAL PERFORMANCE, IMPACT RESISTANCE AND UV-STABILITY.

TOP DIMENSIONS: CENTER OPENING SHALL BE AN 8" INSIDE DIAMETER. THE OVERALL DIMENSIONS SHALL BE 26-3/4" DIAMETER X 13-1/16" HIGH.

