

Site Amenities

BY SUPERIOR RECREATIONAL PRODUCTS



Model #
HORSESHOE-ING
HORSESHOE-SM

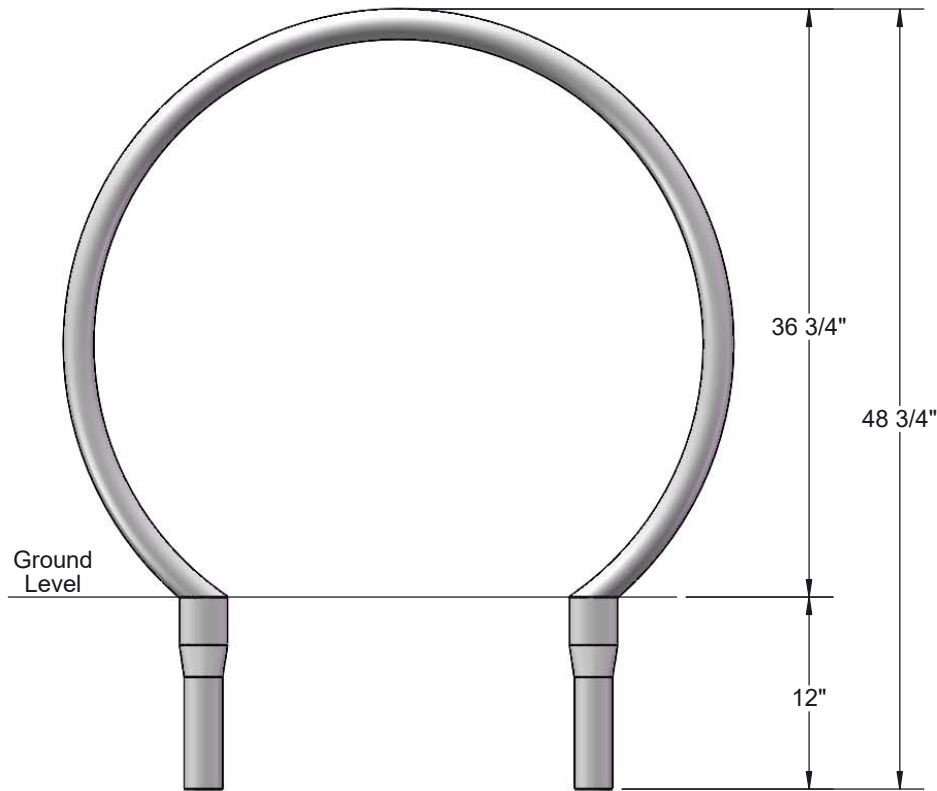
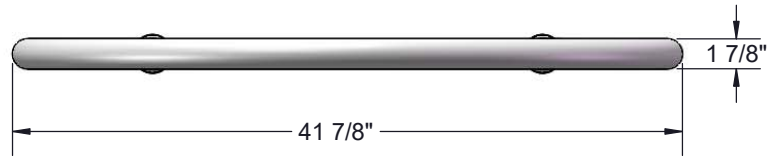
 **SUPERIOR**[®]
RECREATIONAL PRODUCTS
A **PLAYCORE** Company

PRODUCT SPECIFICATIONS

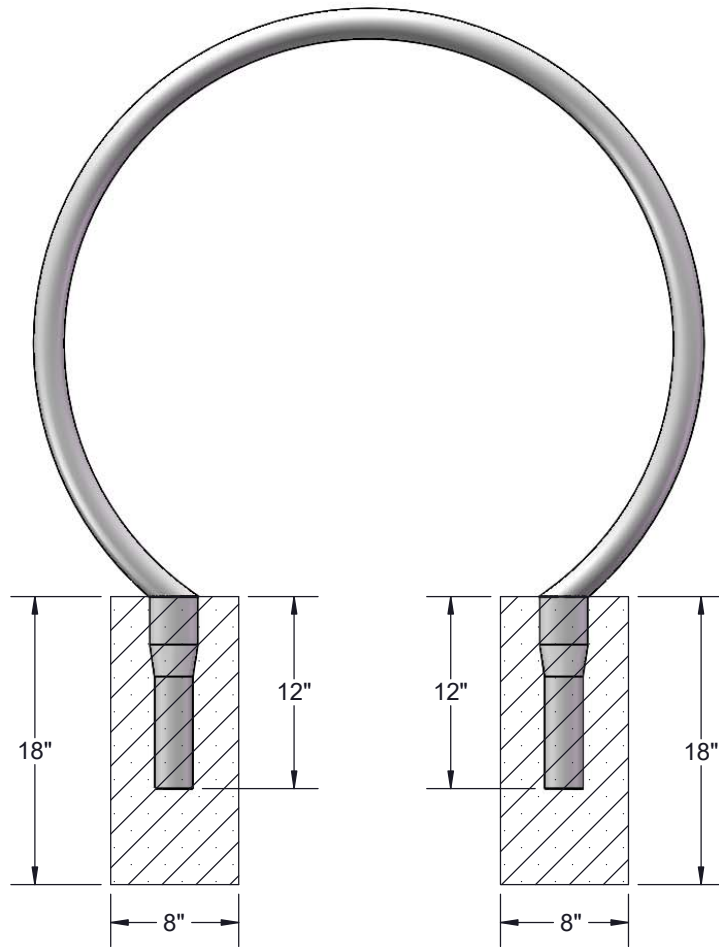
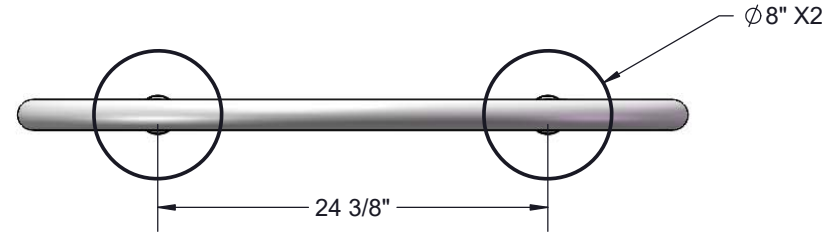
HORSESHOE-ING

Overall dimensions shall be 37" high x 42" wide. Framework shall be fabricated from 1.9" OD x 11 gauge steel tubing. Made to hold 2 bikes. Electrically MIG welded. Available in a electrostatic powder coated application, oven cured.

INSTRUCTIONS



INSTRUCTIONS



Estimated Required Concrete:
3 - 50lb Bags of Concrete Mix