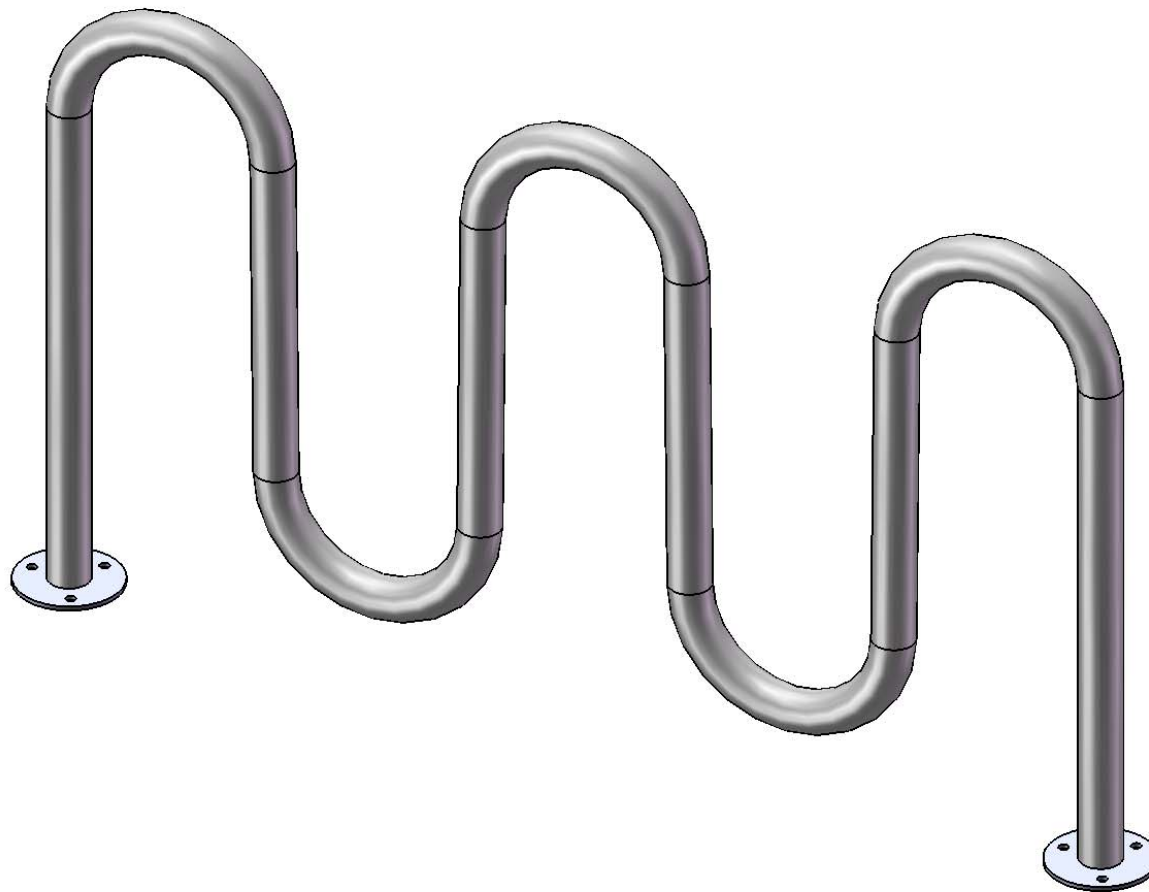


Site Amenities

BY SUPERIOR RECREATIONAL PRODUCTS



Model #
MSBR3-SM

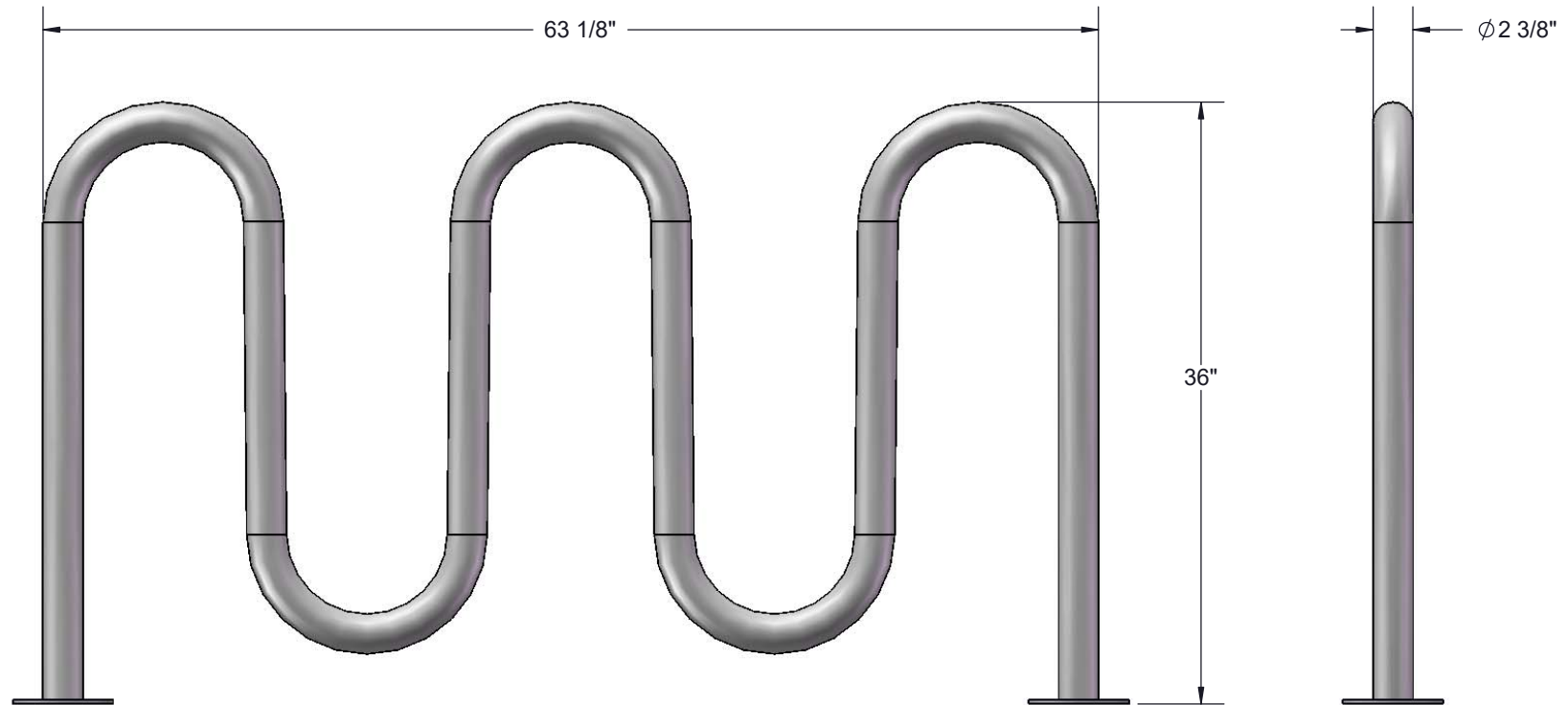
 **SUPERIOR**[®]
RECREATIONAL PRODUCTS
A **PLAYCORE** Company

PRODUCT SPECIFICATIONS

MSBR3-SM

Overall dimensions shall be 36" high x 2-3/8" wide x 63" approximately. Framework shall be fabricated from 2-3/8" O.D. 12 gauge pipe. Made to hold 7 bikes. Surface mount plate is 6" diameter x 1/4" thick steel, electrically MIG welded.

OVERALL DIMENSIONS



Recommended Surface Mount Hardware:
3/8" x 3-1/2" Concrete Expansion Anchor Bolts