

USER GROUP: 2-5 Years, 5-12 Years

RECOMMENDED CREW: 1-2 People

TOOLS REQUIRED:

- TT-30, TT-45 Torx, 9/16" Hex
- Level, Square, Hammer / Mallet, Plastic / Metal Saw
- Drill Bits: 5/32"
- High Speed 3/8" Electric Drill with Clutch

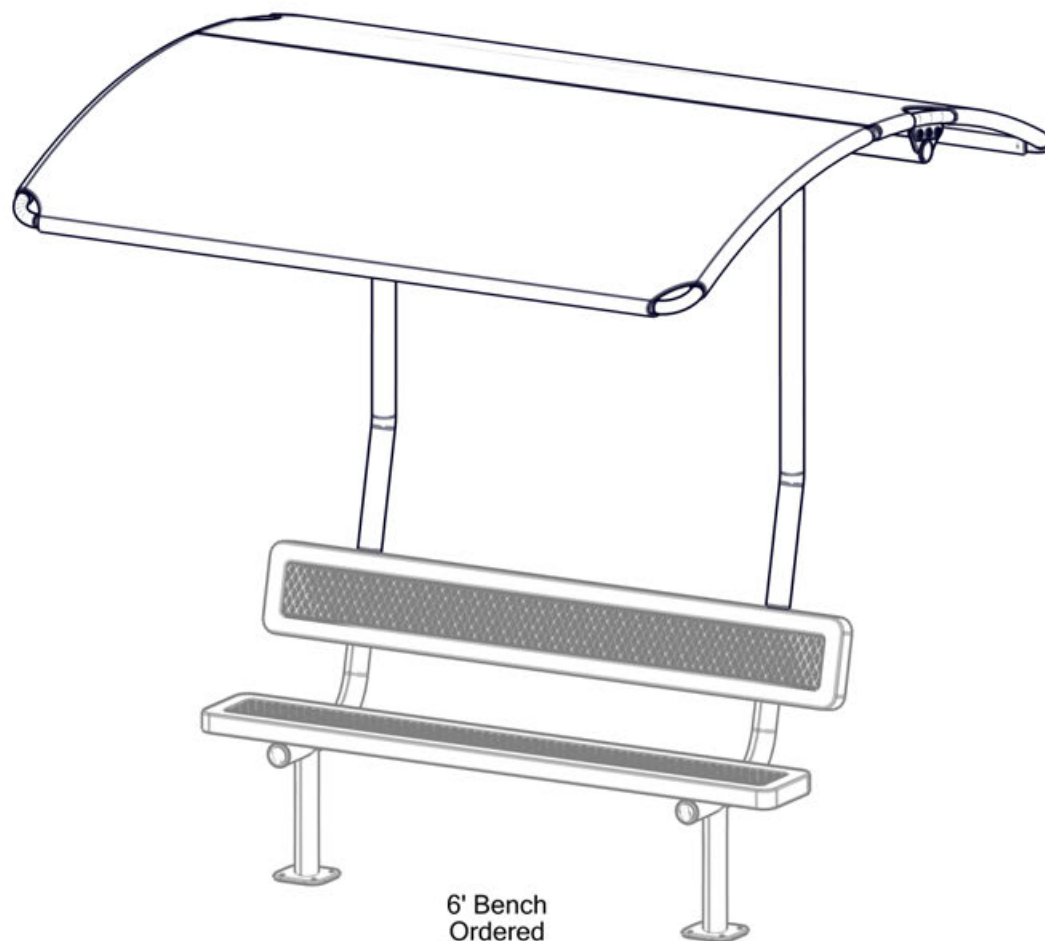
NOTE: Use of any other driver may result in damage to product, tool, and/or hardware!

NOTE: Apply Thread Locking Solution to ALL Non-Patched Hardware with Threads!

INSTALLATION TIME: 1 Hour

WEIGHT: 84 lbs.

CONCRETE REQUIRED: None



6' Bench
Ordered
Separately

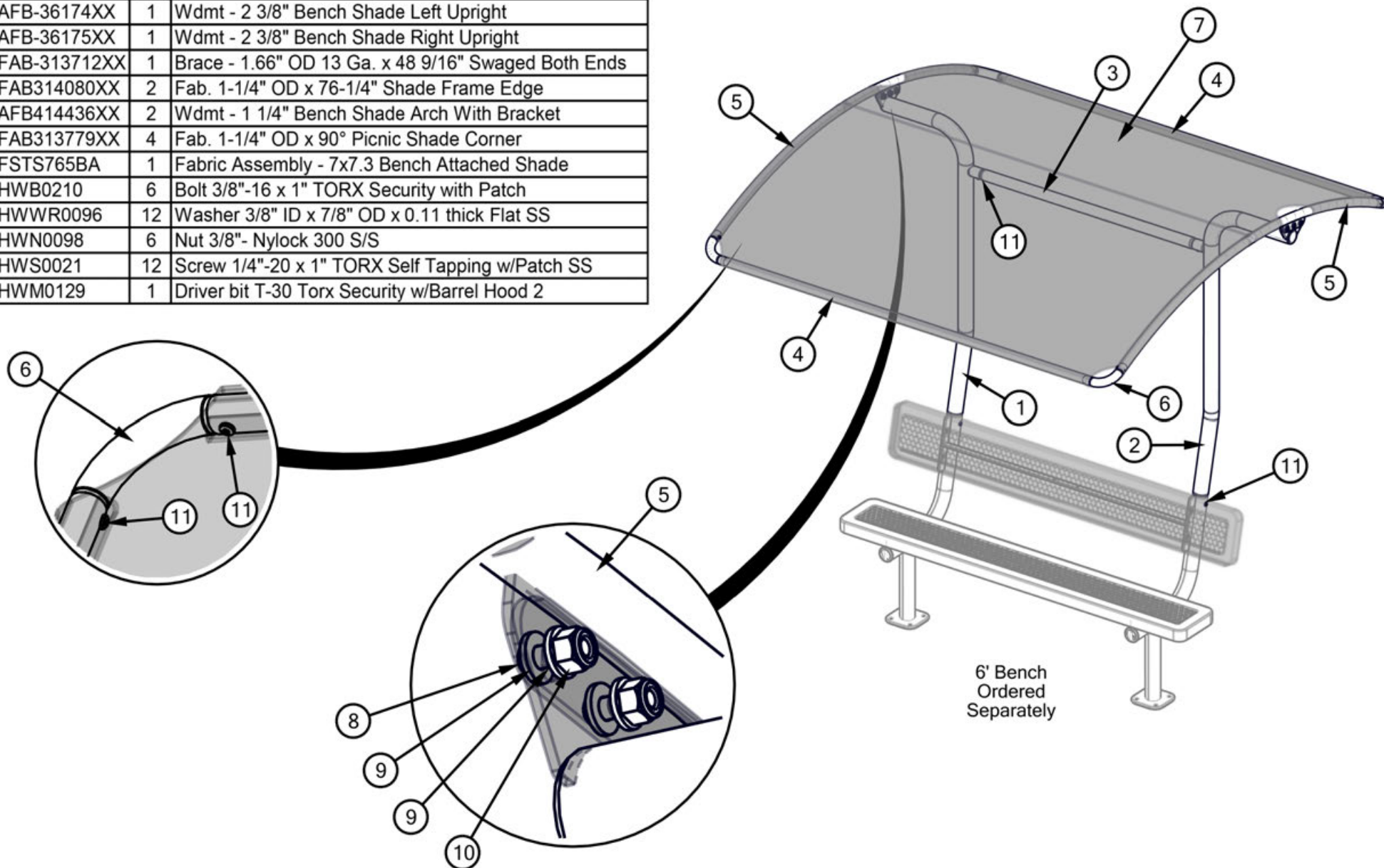
PRE-INSTALLATION CHECK:

Customer is responsible for verifying materials received by comparing received items with packing list. If any parts are missing or damaged, including documentation, contact your local sales representative immediately.

Supplier is not responsible for items discovered missing after 72 hours from time of delivery.

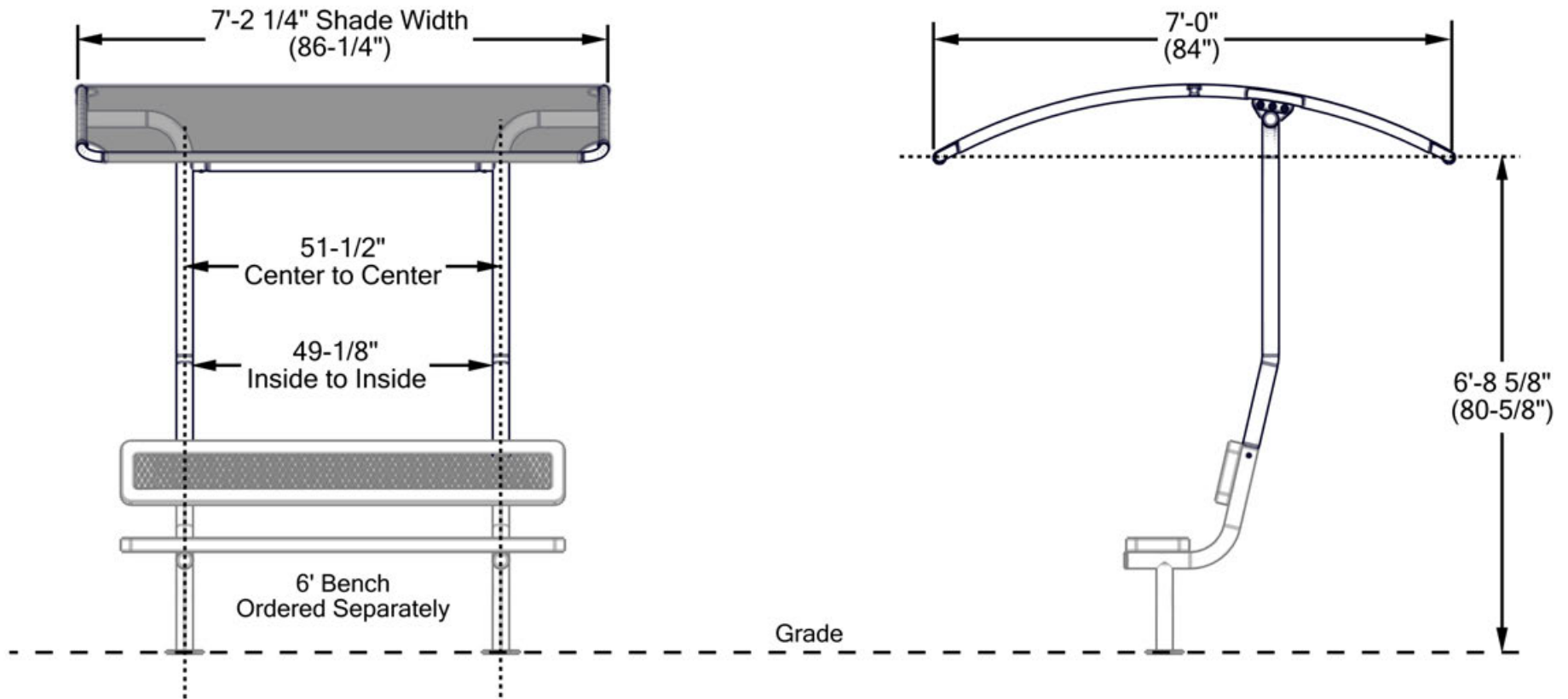
Before beginning installation, all installers must read and understand the Installation Introduction manual as supplied. If you did not receive a copy, or if you have any questions regarding any information in the Installation Instructions or this Installation Guideline, contact your local sales representative.

ITEM	Part No.	QTY	DESCRIPTION
1	AFB-36174XX	1	Wdmt - 2 3/8" Bench Shade Left Upright
2	AFB-36175XX	1	Wdmt - 2 3/8" Bench Shade Right Upright
3	FAB-313712XX	1	Brace - 1.66" OD 13 Ga. x 48 9/16" Swaged Both Ends
4	FAB314080XX	2	Fab. 1-1/4" OD x 76-1/4" Shade Frame Edge
5	AFB414436XX	2	Wdmt - 1 1/4" Bench Shade Arch With Bracket
6	FAB313779XX	4	Fab. 1-1/4" OD x 90° Picnic Shade Corner
7	FSTS765BA	1	Fabric Assembly - 7x7.3 Bench Attached Shade
8	HWB0210	6	Bolt 3/8"-16 x 1" TORX Security with Patch
9	HWWR0096	12	Washer 3/8" ID x 7/8" OD x 0.11 thick Flat SS
10	HWN0098	6	Nut 3/8"- Nylock 300 S/S
11	HWS0021	12	Screw 1/4"-20 x 1" TORX Self Tapping w/Patch SS
12	HWM0129	1	Driver bit T-30 Torx Security w/Barrel Hood 2



STEP 1

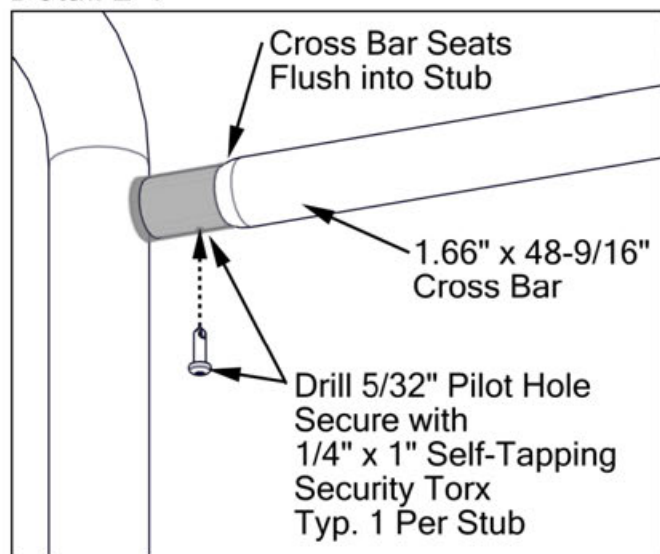
Guideline shows 6' bench (B6WBRCS) in place. Center shade in all directions over picnic table. Overall dimensions are shown below.



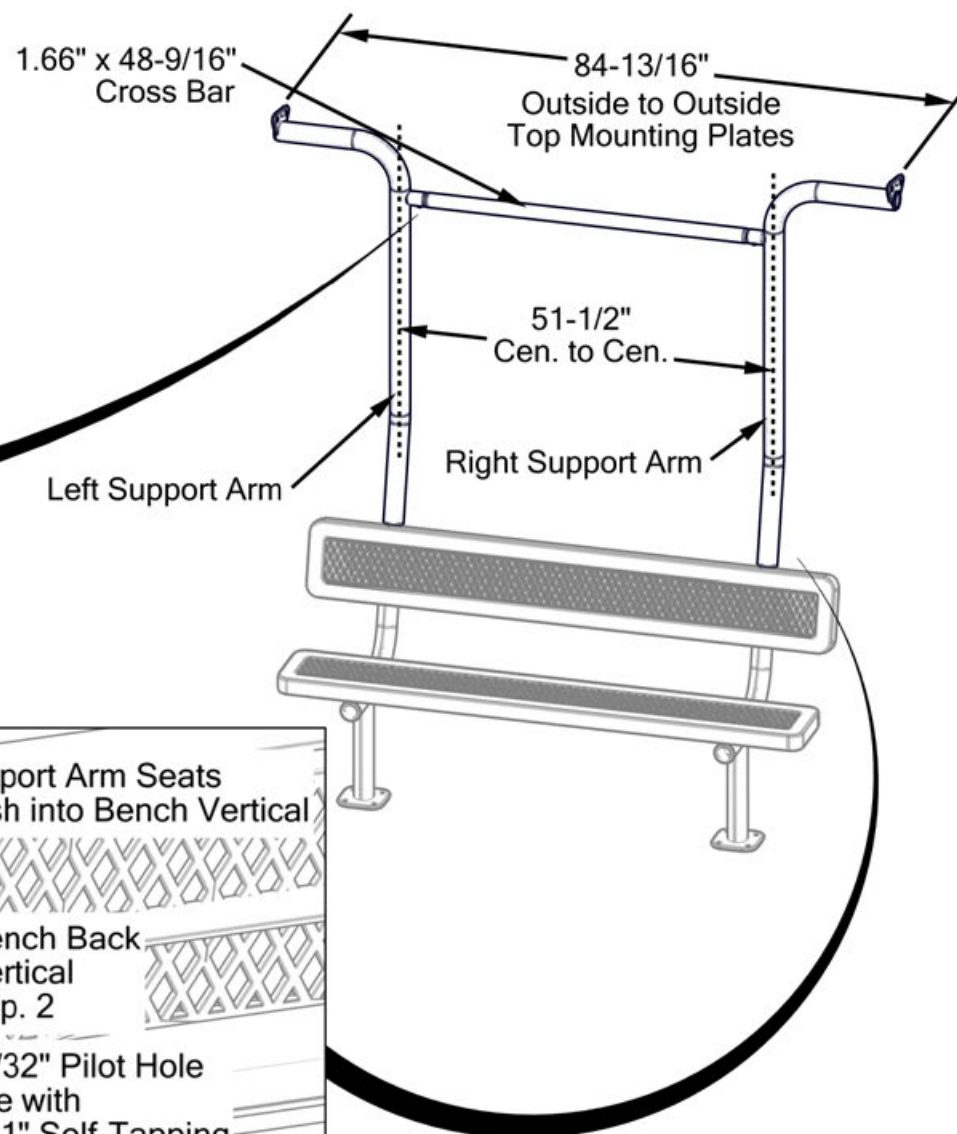
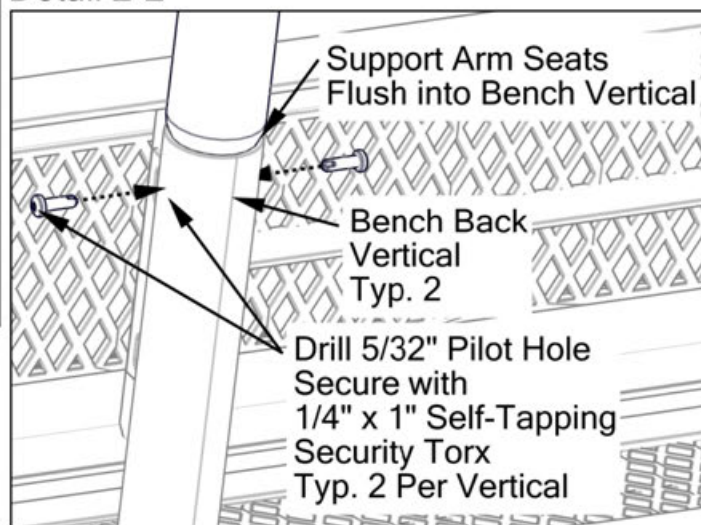
STEP 2

Insert ends of 1.66" x 48-9/16" cross bar into stubs on support arms. Ensure cross bar seats flush into each stub. Distance across outsides of top mounting plates should be 84-13/16". At bottom of each stub, drill one (1) 5/32" pilot hole through pre-drilled hole in stub and into cross bar. Secure with one (1) 1/4" x 1" self-tapping security Torx. See Detail 2-1. Repeat for opposite end of cross bar. Remove existing pipe caps from bench. Insert support arms into bench back verticals. Ensure support arms seat flush into verticals. At each bench back vertical, drill two (2) 5/32" pilot holes through sides of vertical and into end of support arm. Secure with two (2) 1/4" x 1" self-tapping security Torx. See Detail 2-2. Repeat for opposite bench back vertical.

Detail 2-1



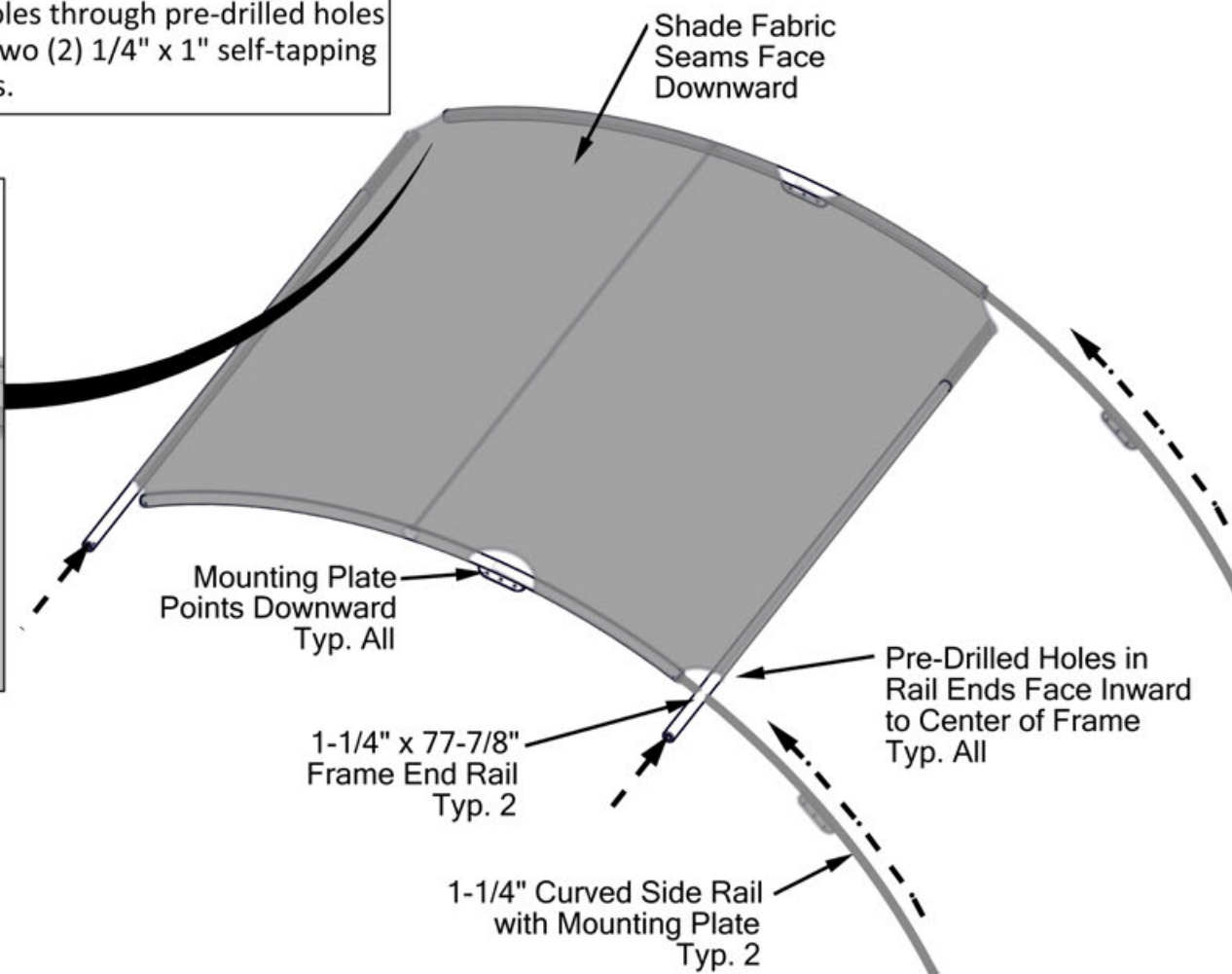
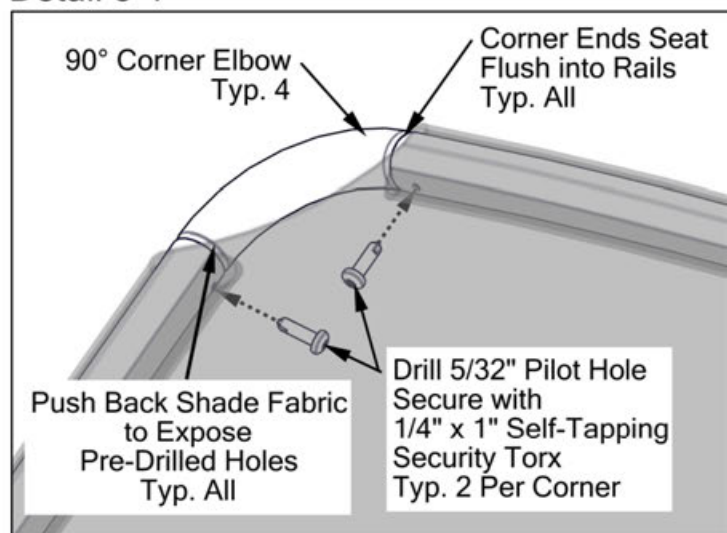
Detail 2-2



STEP 3

Assemble shade panel. Place fabric with seams facing down. Insert two (2) curved side rails with plates. Pre-drilled holes should face toward inside of frame. Ensure mounting plates point straight down at opening in middle of shade edge. Insert two (2) end rails. Pre-drilled holes should face toward inside of frame. At each corner of shade, insert one (1) 90° elbow into ends of rails. Ensure elbow seats flush into frame rails. Push back fabric to expose pre-drilled holes in rails. Drill two (2) 5/32" pilot holes through pre-drilled holes in rails and into elbow. Secure rails to elbow with two (2) 1/4" x 1" self-tapping security Torx. See Detail 3-1. Repeat for all corners.

Detail 3-1



STEP 4

Place shade and frame onto top ends of support arms. Frame mounting plates should be on outsides of top mounting plates. Align holes in all mounting plates. Secure each side of frame to arm with three (3) 3/8" x 1 security Torx, six (6) 3/8" x 7/8" flat washers, and three (3) 3/8" Nylon lock nuts. See Detail 4-1. Repeat for opposite side of frame. Check all connections and ensure structure is stable. Installation is complete. Place one (1) Age Appropriate Sticker on structure in a clearly visible location.

Detail 4-1

