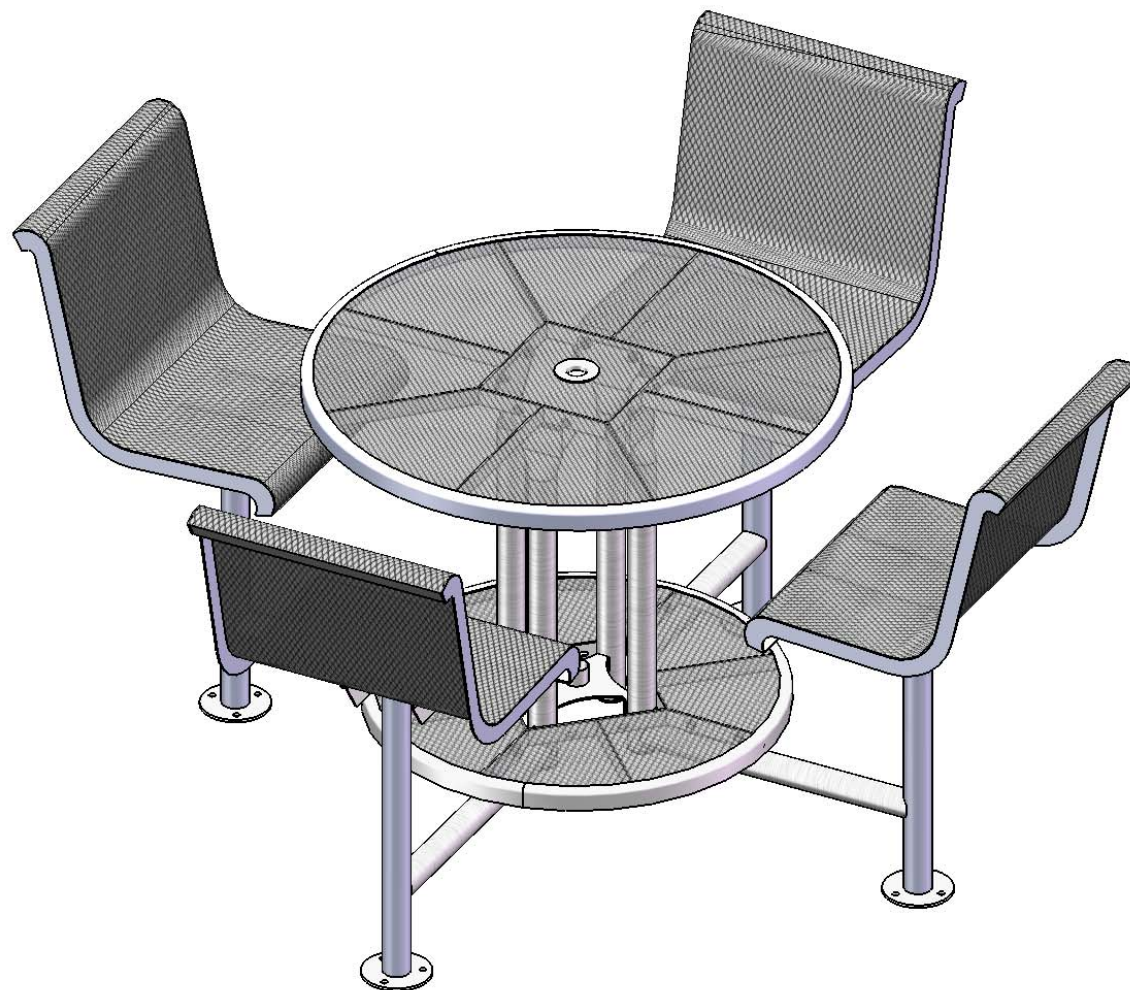


# Site Amenities

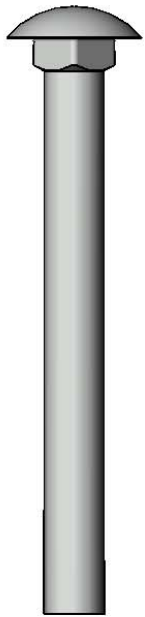
BY SUPERIOR RECREATIONAL PRODUCTS



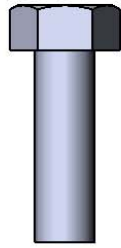
Model #  
T42PEDBAR

 **SUPERIOR**<sup>®</sup>  
RECREATIONAL PRODUCTS  
A **PLAYCORE** Company

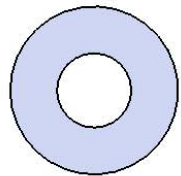
# HARDWARE



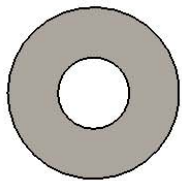
5/16" x 3"  
Carriage Bolt



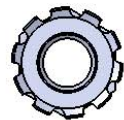
5/16" x 1"  
Machine Bolt



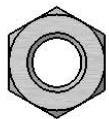
5/16" Washer



5/16" Washer



5/16" Kep Nut



5/16" Washer

# PRODUCT SPECIFICATIONS

## **T42PEDBAR 46" ROUND BAR HEIGHT TABLE WITH CHAIRS**

Top & Seats: 11 gauge die formed angle frame 1"x1-7/8". 3/4" #9 steel expanded metal. 7 gauge x 1-1/2" flat bar center support and mounting bracket understructure. Top is additionally supported to the outer frame with 7 gauge x 1-1/2" flat bar. Seat end plates are made of 7 gauge flat steel plate. Electrically MIG welded.

Coating: Oven fused functionalized polyethylene copolymer-based thermoplastic. Fluidized bed coating application with superior mechanical performance, impact resistance and UV-stability.

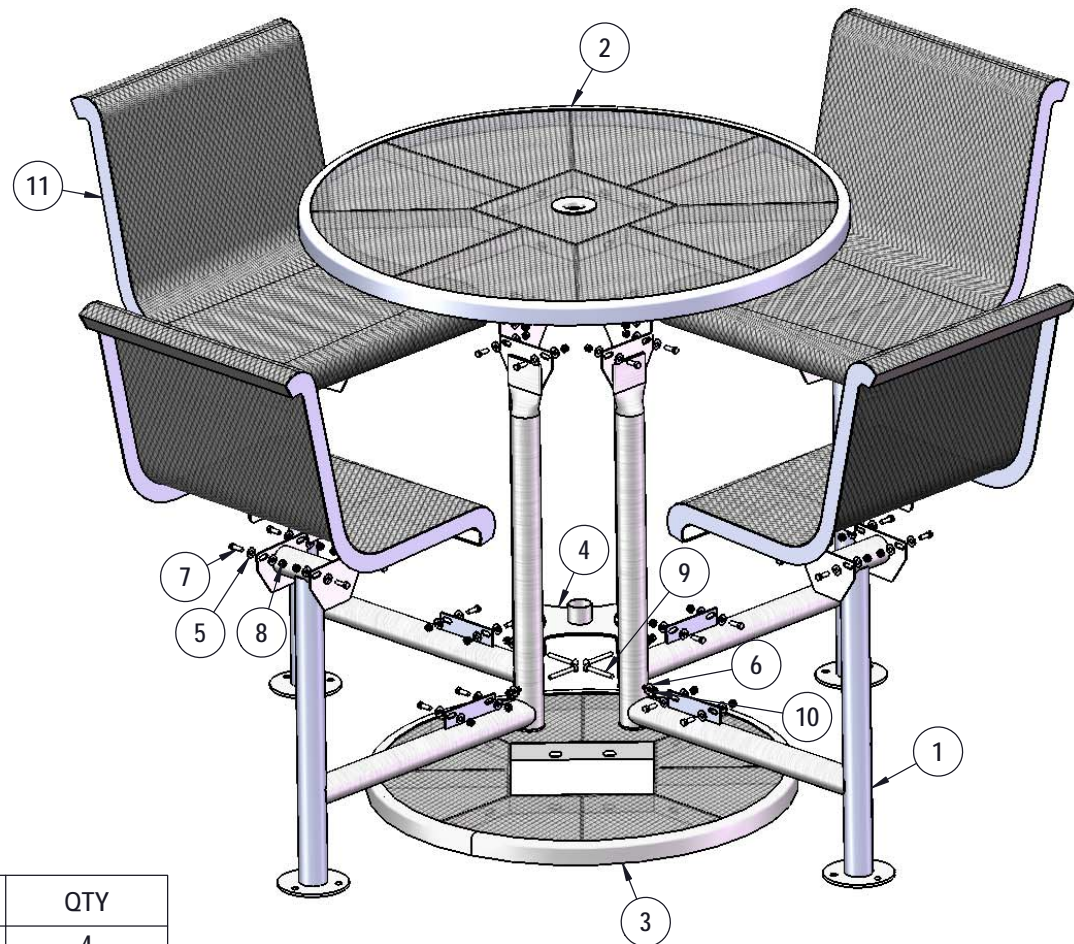
Frame: 2-3/8" O.D. x 12 gauge pre-galvanized structural steel tubing. Brace attachment points are 1-1/2"x2"x3/16" steel flat bar. Cross braces 1.029 O.D. x 15 gauge pre-galvanized structural steel tubing. Seat and table mounting points are 10 gauge die stamped steel flat bar. Surface mount plates are 6" O.D. 1/4" thick steel flat plate. All electrically MIG welded.

Frame Coating: Electrostatic powder coated application oven cured.

Hardware: Stainless steel and zinc coated hardware fasteners.

Dimensions: Top is 46" diameter x 41-1/2" high. Seats are 24" wide x 30-1/2" high. Outside to outside dimensions of 4 seat table is 94" square.

# COMPONENTS

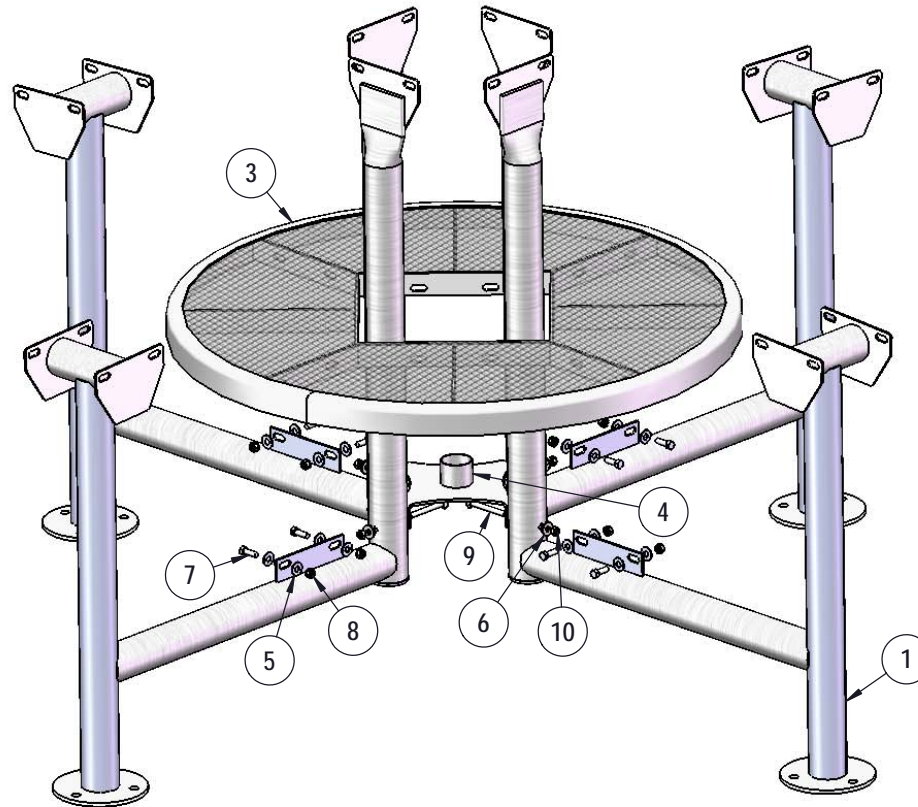


ITEM NO.	PartNo	DESCRIPTION	QTY
1	P-V362SM	362 SM leg	4
2	T-V46RD-362	46" Expanded Round Top for 362 Table	1
3	T-V36RD-362	36" Expanded Round 362 Footrest	1
4	P-01-04-0291	Spreader Plate w/ Umbrella Holder	1
5	33-02-0007	5/16" SS Washer	64
6	33-02-0001	5/16" Zinc Plated Washer	4
7	33-05-0029	5/16" x 1" Machine Bolt (SS)	32
8	33-03-0012	5/16" Kep Nut (SS)	32
9	33-06-0022	5/16" x 3" Carriage Bolt (Zinc)	4
10	33-01-0001	5/16" Hex Nut (Zinc)	4
11	T-01-04-0466	2' Expanded Contour Chair Seat	4

Recommended Surface Mount Hardware:  
 3/8" x 3-1/2" Concrete Expansion Anchor Bolts  
 (Not Included)

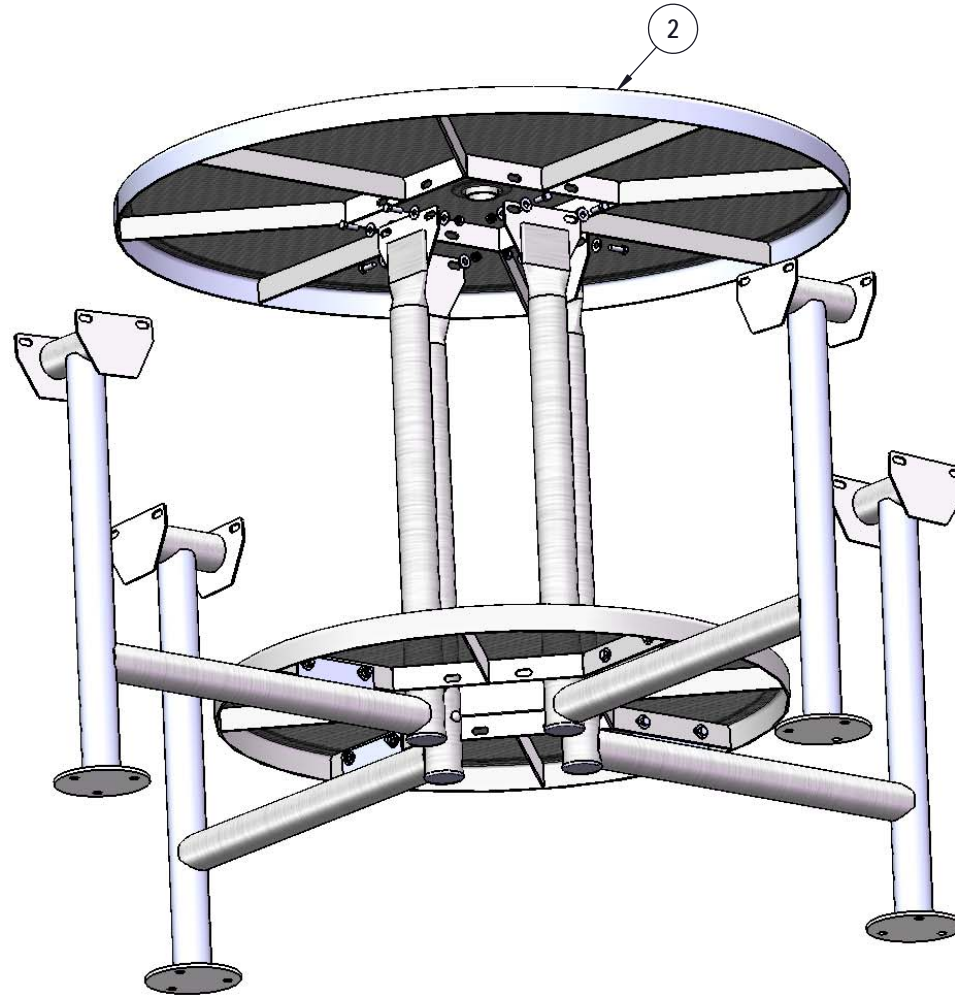
**S** SUPERIOR<sup>®</sup>  
 RECREATIONAL PRODUCTS  
 A PLAYCORE<sup>®</sup> Company

# STEP 1



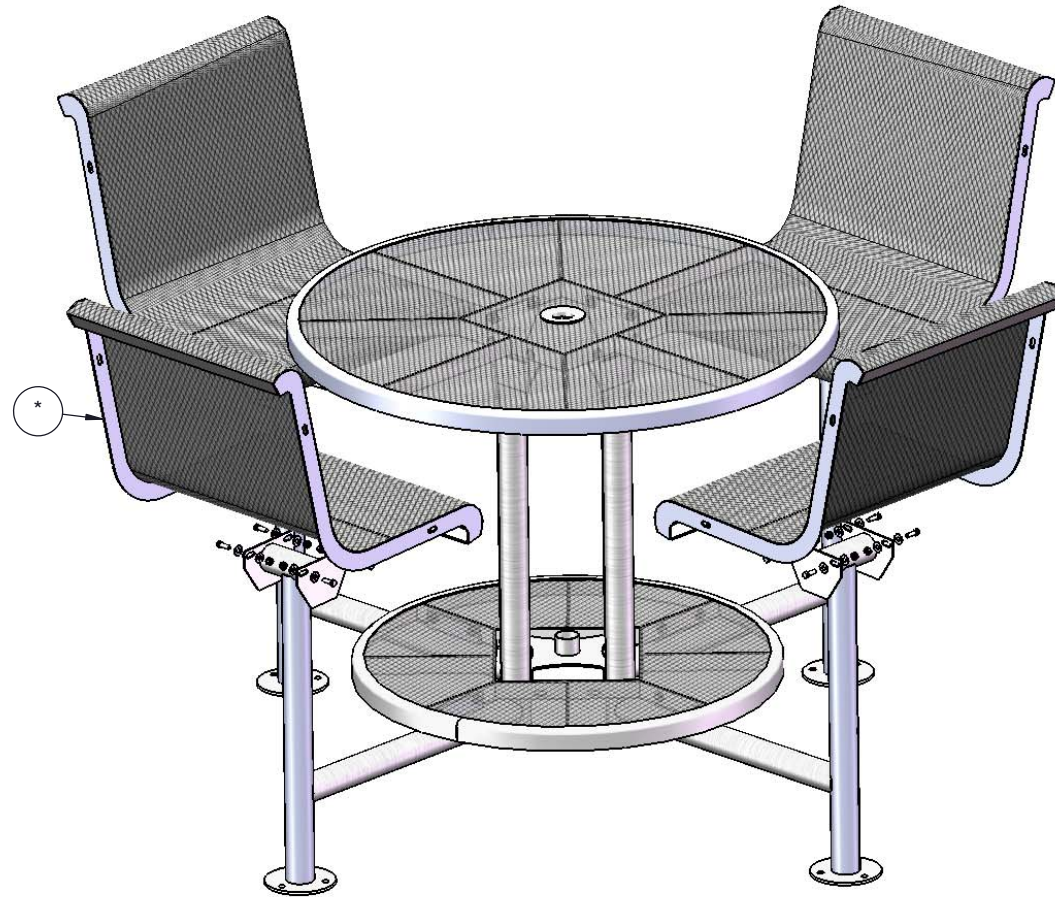
Attach the 36" Footrest to the Legs as shown using specified hardware.  
Then attach the Spreader Plate to the middle of the leg assembly as shown.

## STEP 2



Attach the 46" Round Top to the Legs as shown using specified hardware.

## STEP 3



Attach the 2' Seats to the Legs as shown using specified hardware.

# OVERALL DIMENSIONS

