

# Site Amenities

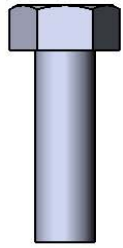
BY SUPERIOR RECREATIONAL PRODUCTS



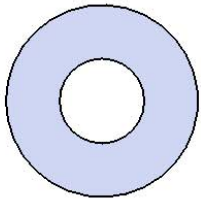
Model #  
T42RASSINNV-3

 **SUPERIOR**<sup>®</sup>  
RECREATIONAL PRODUCTS  
A **PLAYCORE** Company

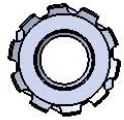
# HARDWARE



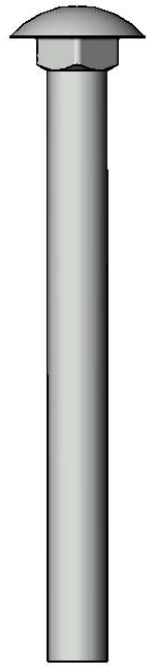
5/16" x 1"  
Machine Bolt



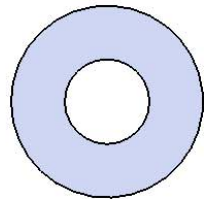
5/16" Washer



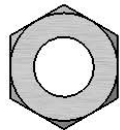
5/16" Kep Nut



3/8" x 3-1/4"  
Carriage Bolt



3/8" Washer



3/8" Hex Nut

# PRODUCT SPECIFICATIONS

## **T42RASSINNV-3 46" PORTABLE PICNIC TABLE WALK-THROUGH DESIGN**

Top & Seats: 11 gauge die formed angle frame 1"x1-7/8". A 12 gauge piece of sheet steel is precision punched with a 5/8" hole to create the punched hole pattern. The understructure/attachment plates are fabricated from 7 gauge x 1-1/2" flat bar. Seat side and attachment plates are 7ga laser cut. Electrically MIG welded.

Coating: Oven fused functionalized polyethylene copolymer-based thermoplastic. Fluidized bed coating application with superior mechanical performance, impact resistance and UV-stability.

Frame: 2-3/8" O.D. x 12 gauge pre-galvanized structural steel tubing. Cross braces 1-5/16" O.D. x 15 gauge pre-galvanized structural steel tubing. Seat and top mounting points 7 gauge x 1-1/2" die stamped steel flat bar. Legs are bent over a mandrel through the bend radius producing a wrinkle free bend. All electrically MIG welded.

Frame Coating: Electrostatic powder coated application oven cured.

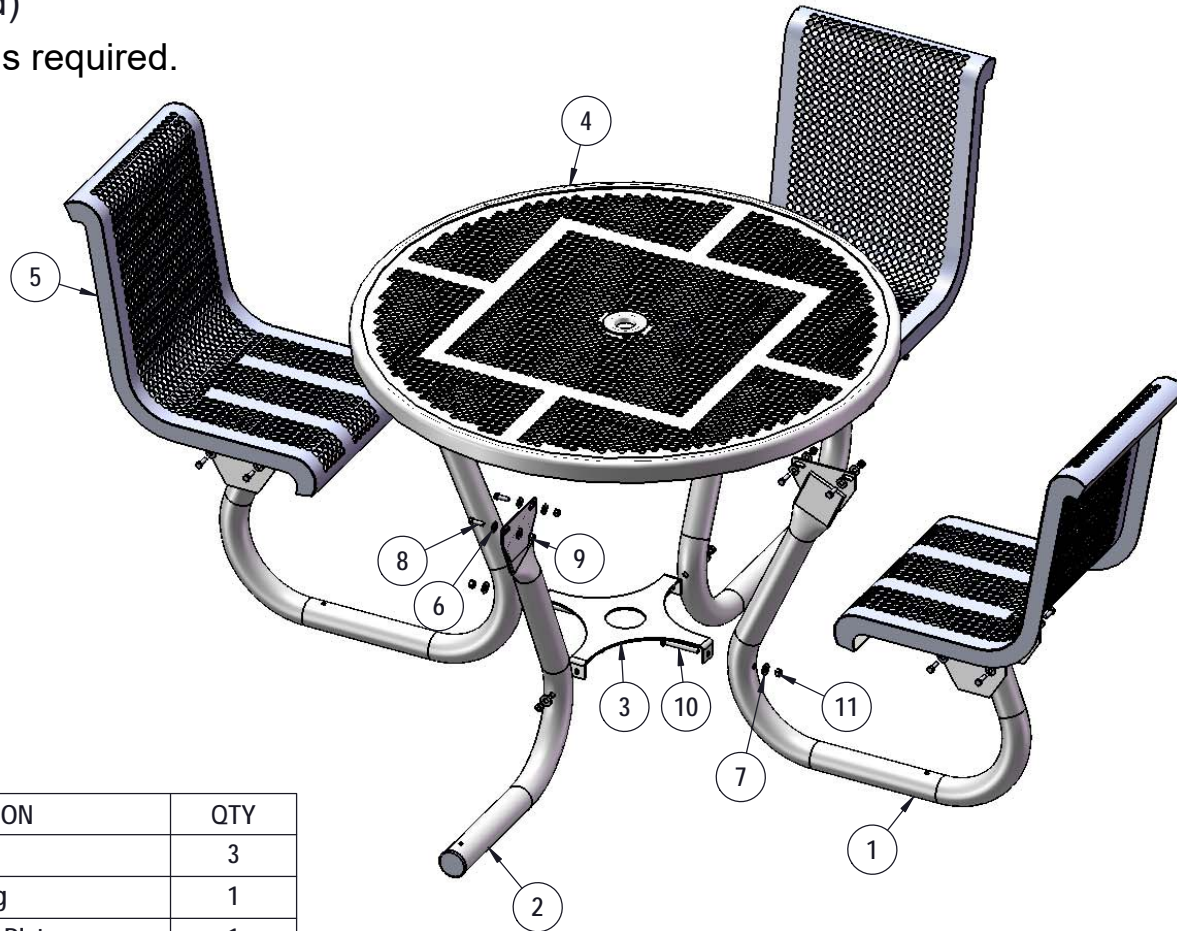
Hardware: Stainless steel and zinc coated hardware fasteners.

Dimensions: 46" 3 seat handicap portable picnic table walk-through design. Top is 46" diameter and is 30" high. Seats are 18" wide x 23-3/4" deep and 18" high. Outside to outside dimension is 92" round x 37" high.

# COMPONENTS

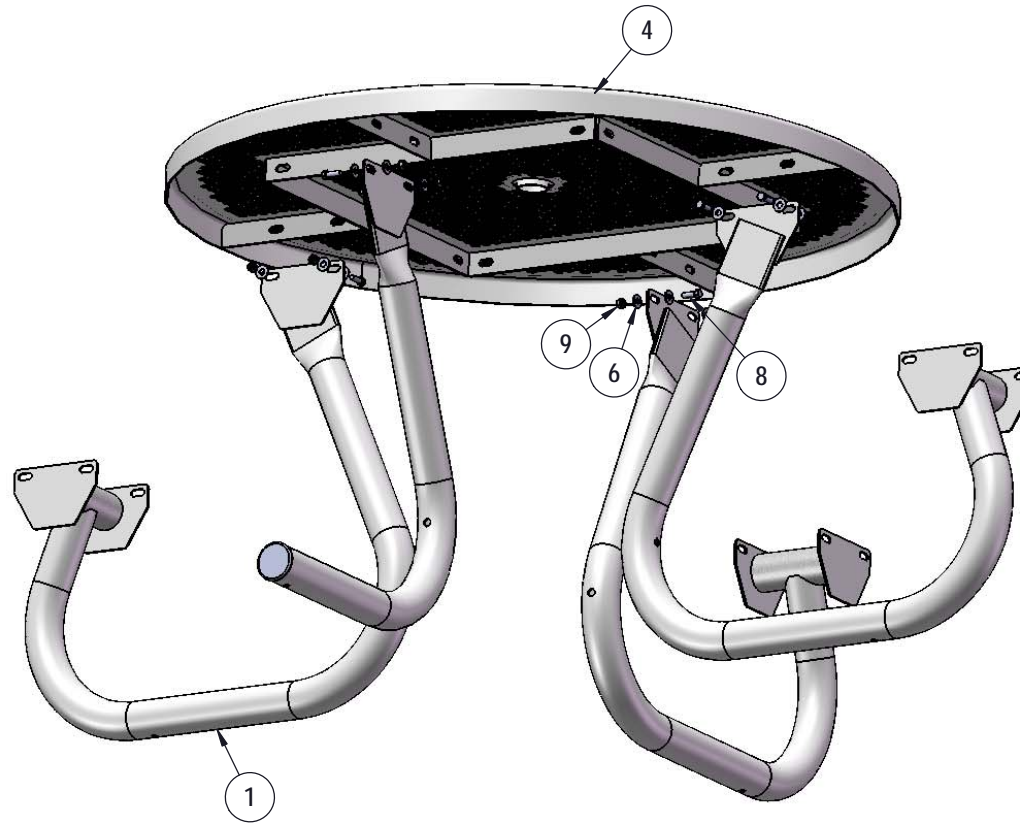
Optional Surface Mount Hardware:  
5/16" x 4" Concrete Expansion Anchor Bolts  
(Not Included)

**NOTE:** Surface Mounting is required.



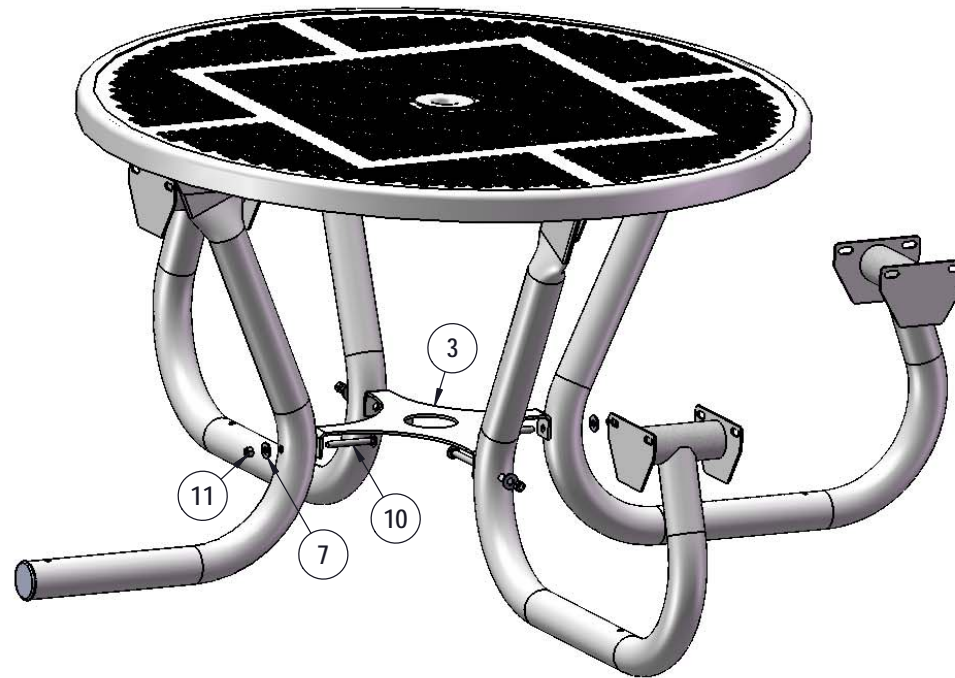
ITEM NO.	PartNo	DESCRIPTION	QTY
1	P-V230	230 Leg	3
2	P-V230H	230H Leg	1
3	01-04-0245	230 Spreader Plate	1
4	T-P46RD-230	46" Round Punched Top for 230 Table	1
5	T-P18CT-S	18" punched contour seat	3
6	33-02-0007	5/16" SS Washer	40
7	33-02-0002	3/8" Zinc Plated Washer	4
8	33-05-0029	5/16" x 1" Machine Bolt (SS)	20
9	33-03-0012	5/16" Kep Nut (SS)	20
10	33-06-0009	3/8" x 3-1/4" Carriage Bolt (Zinc)	4
11	33-01-0002	3/8" Hex Nut (Zinc)	4

# STEP 1



Attach the Top to the Legs as shown using specified hardware.

## STEP 2



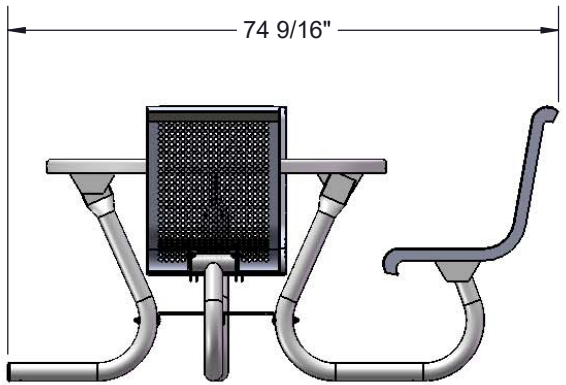
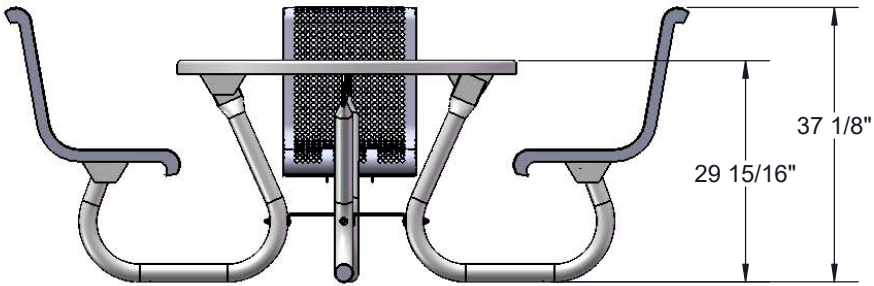
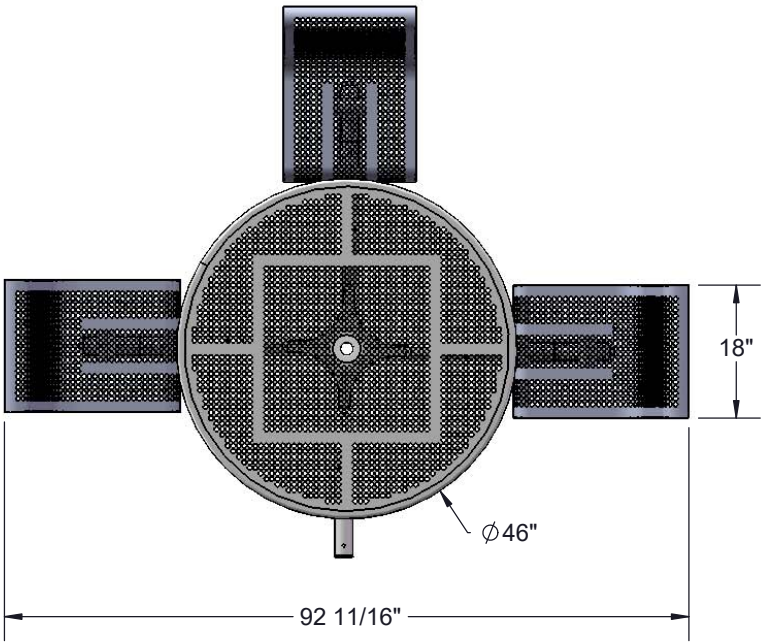
Attach the Spreader Plate to the Legs as shown using specified hardware.

## STEP 3



Attach the Seats to the Frames as shown using specified hardware.

# OVERALL DIMENSIONS



**NOTE:** Surface Mounting is required.

