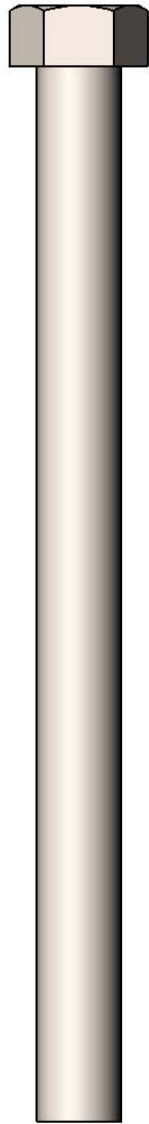


Model # T46CLASSPED-3SADA

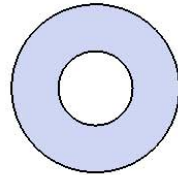
# HARDWARE



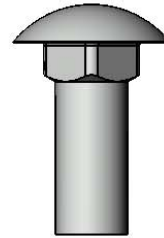
5/16" x 1"  
Machine Bolt



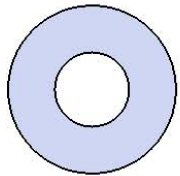
7/16" x 5-1/2"  
Machine Bolt



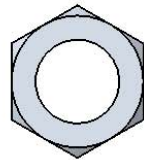
7/16" Washer



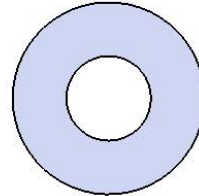
3/8" x 1"  
Carriage Bolt



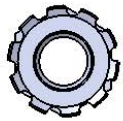
5/16" Washer



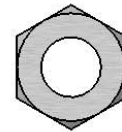
7/16" Hex Nut



3/8" Washer



5/16" Kep Nut



3/8" Hex Nut

# PRODUCT SPECIFICATIONS

## **T46CLASSPED-3SADA ADA INGROUND TABLE WITH 3 SEATS**

Seat & Back: 11 gauge sheet steel is die formed with laser cut design . Seat support pieces are 11 gauge laser cut sheet steel. Top has 7 gauge x 1-1/2" flat bar center support and mounting bracket understructure. All electrically MIG welded.

Coating: Oven fused functionalized polyethylene copolymer-based thermoplastic. Fluidized bed coating application with superior mechanical performance, impact resistance and UV-stability.

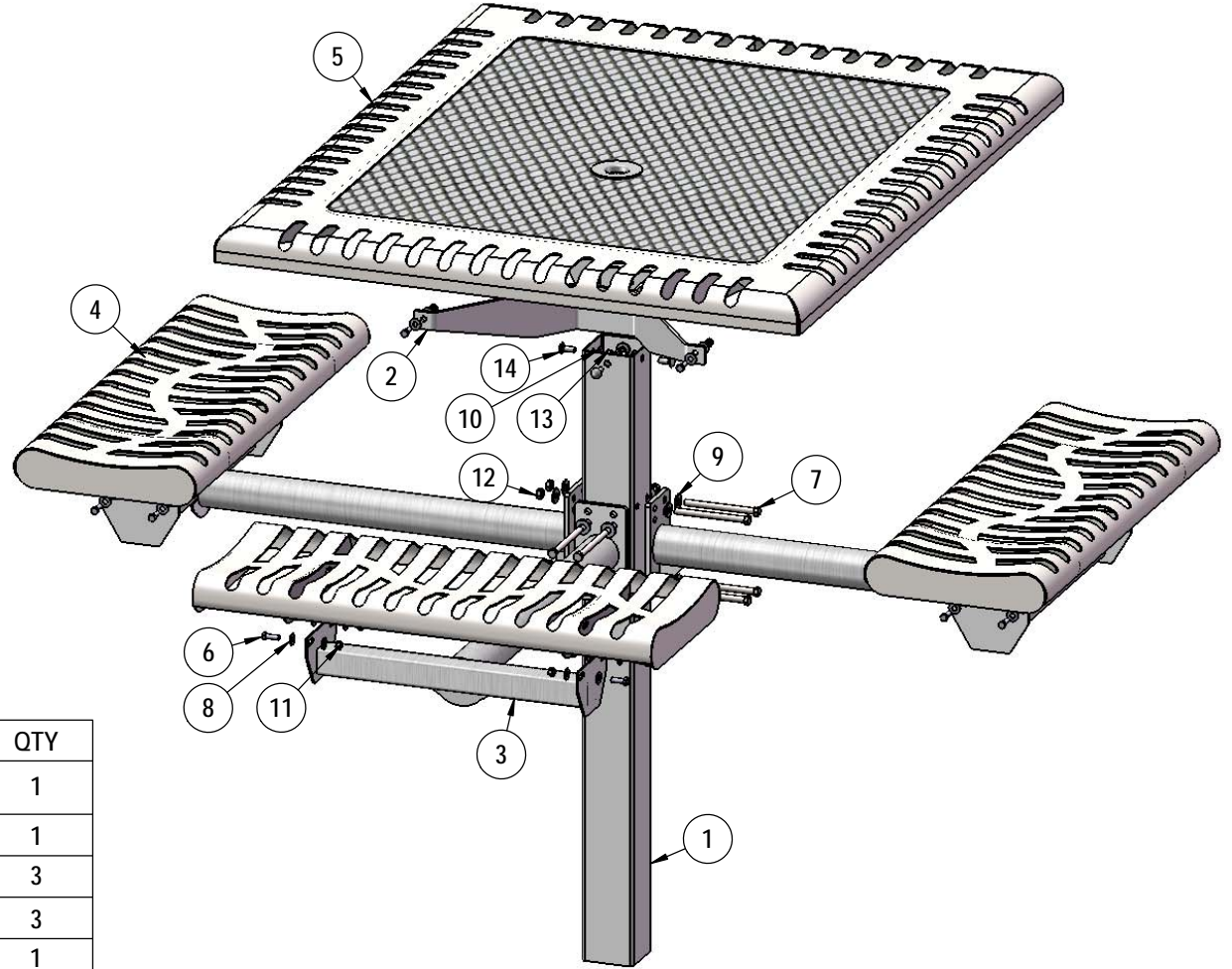
Frame: Main support column is 4"x4"x11 gauge pre-galvanized structural steel tubing. Arms are fabricated from 2-7/8" O.D. x 12 gauge pre-galvanized structural steel tubing welded to 1/4" precision punched plates for attachment to the main column and 2"x2"x3/16" structural steel angle for lateral seat support. Seat attachment points are 10 gauge precision punched tabs. Table top attachment structure is fabricated from 2"x2"x3/16" structural steel angle and top attachment points are 7 gauge x 1-1/2" steel flat bar.

Frame Coating: Electrostatic powder coated application oven cured.

Hardware: All stainless steel hardware fasteners.

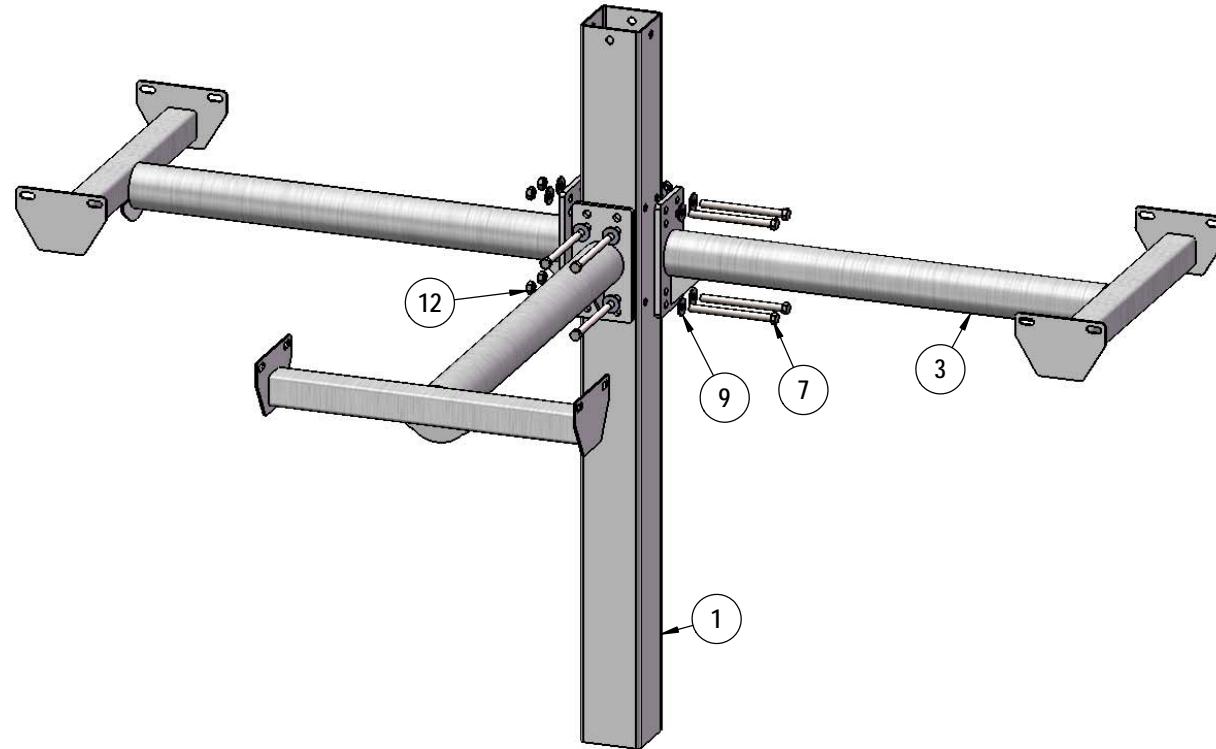
Dimensions: Top is 46" x 55" x 30-1/4" high. Seats are 14-5/16" wide x 36" long x 18-9/16" high. Outside to outside dimensions are 79" x 70-1/2" x 30-1/4" high.

# COMPONENTS



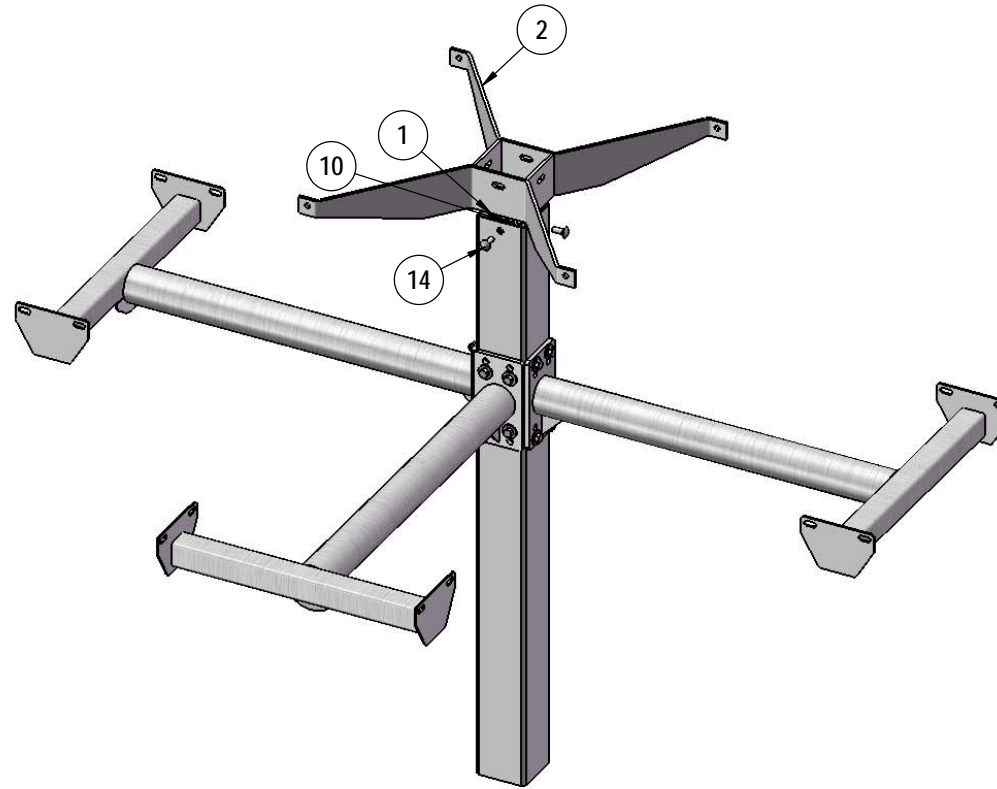
ITEM NO.	PartNo	DESCRIPTION	QTY
1	P-338S or G-338S	338 IG post asem	1
2	P-01-04-0150	H Bracket	1
3	P-V338-ARM	338 vinyl arm	3
4	CLASS36-S	Classic 36" Seat	3
5	CLASS46H-T	Classic Handicap Top 46" x 55"	1
6	33-05-0029	5/16" x 1" Machine Bolt (SS)	16
7	33-06-0050	7/16" x 5-1/2" Machine Bolt	8
8	33-02-0007	5/16" SS Washer	32
9	33-02-0004	7/16" SS Washer	16
10	33-02-0008	3/8" Flat Washer (SS)	4
11	33-03-0012	5/16" Kep Nut (SS)	16
12	33-01-0006	7/16" Hex Nut (Zinc)	8
13	33-01-0018	3/8" Hex Nut (SS)	4
14	33-06-0042	3/8" x 1" Carriage Bolt (SS)	4

# STEP 1



Attach the seat arms to the post as shown using specified hardware.

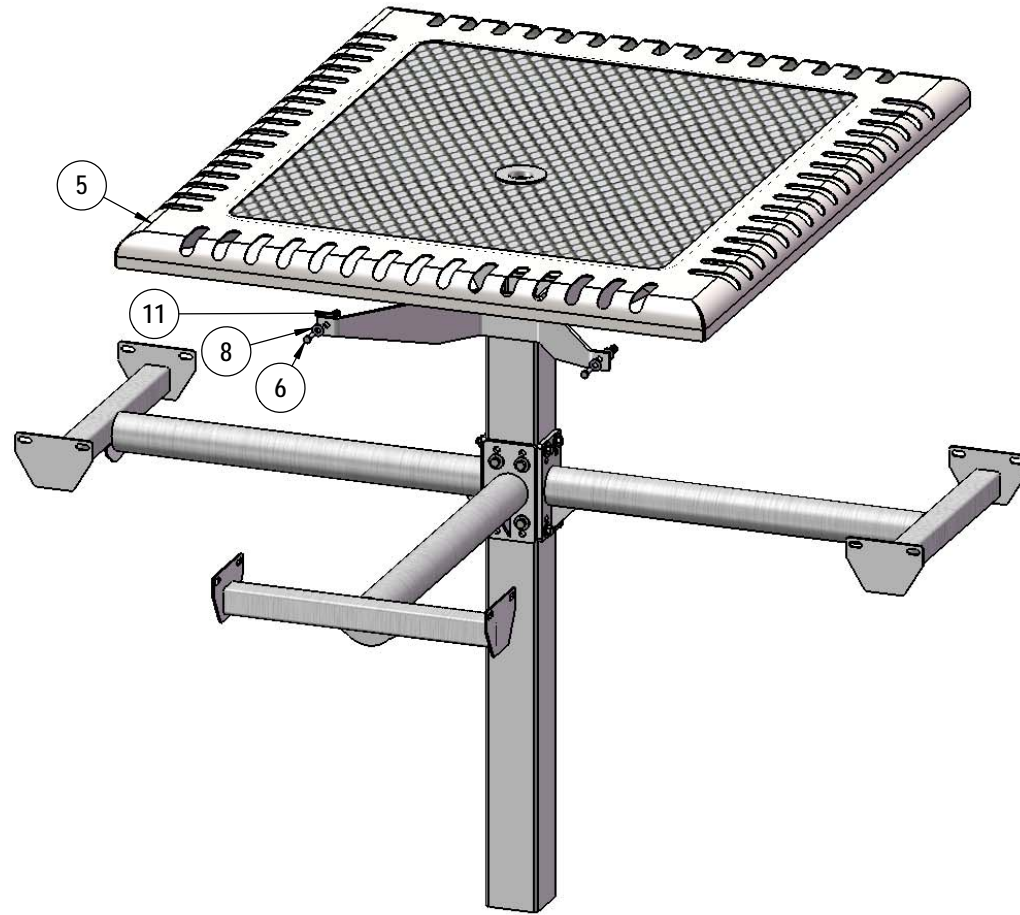
## STEP 2



Attach the H Bracket to the post as shown using specified hardware.

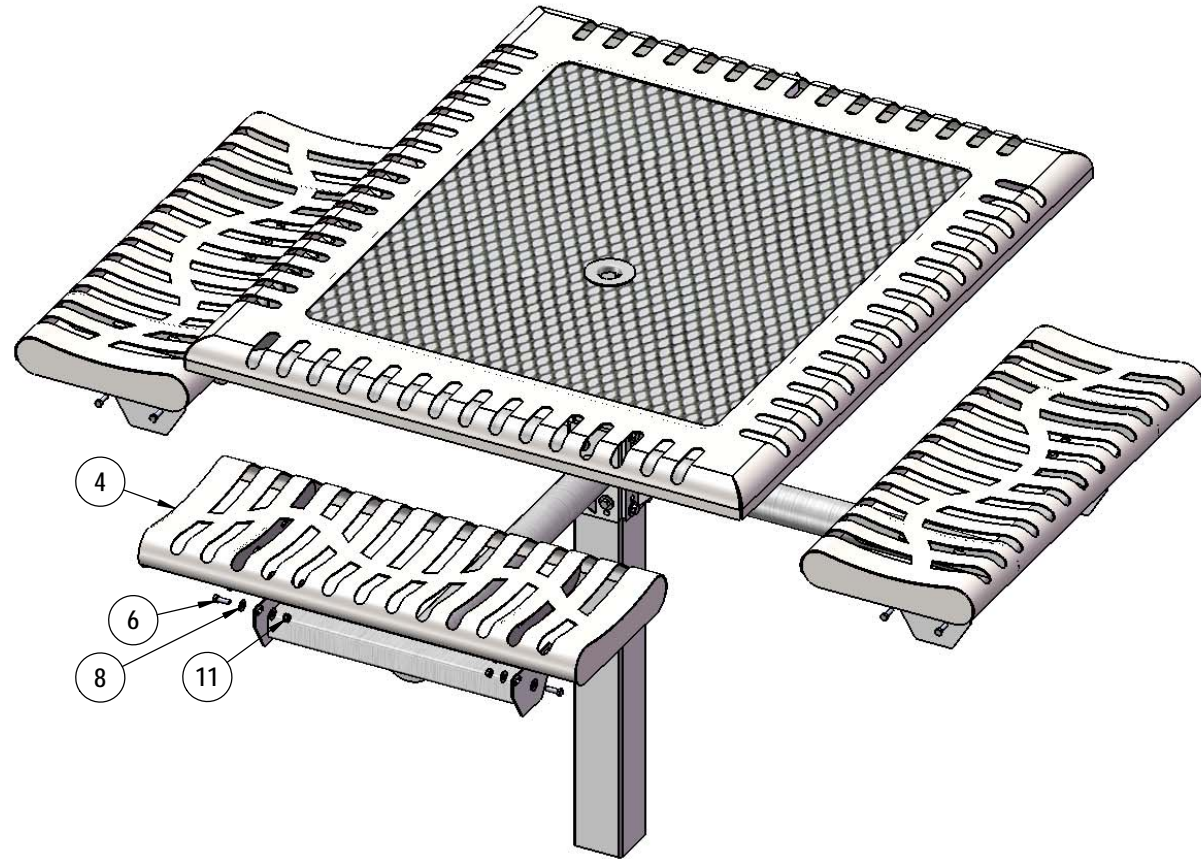


## STEP 3



Attach the top to the H Bracket as shown using specified hardware.

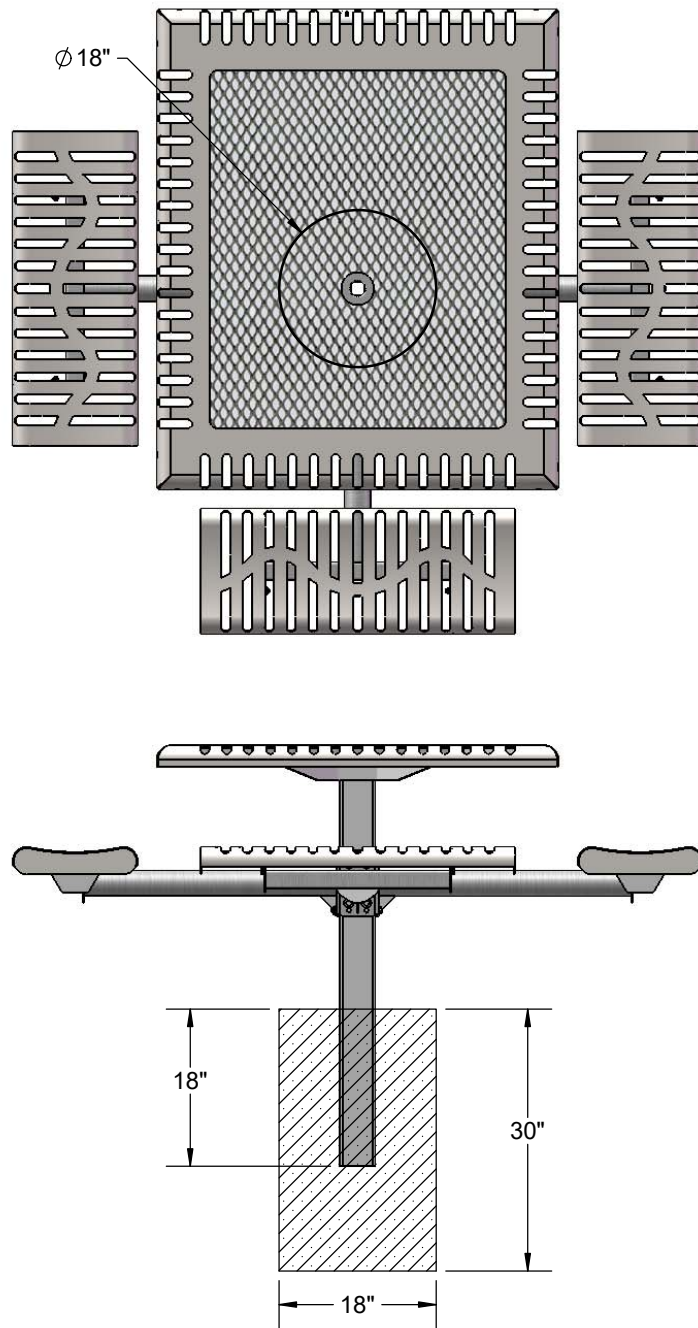
## STEP 4



Attach the seats to the seat arms as shown using specified hardware.



# STEP 2



Estimated Required Concrete:  
12 - 50 lb Bags of Concrete Mix

# OVERALL DIMENSIONS

