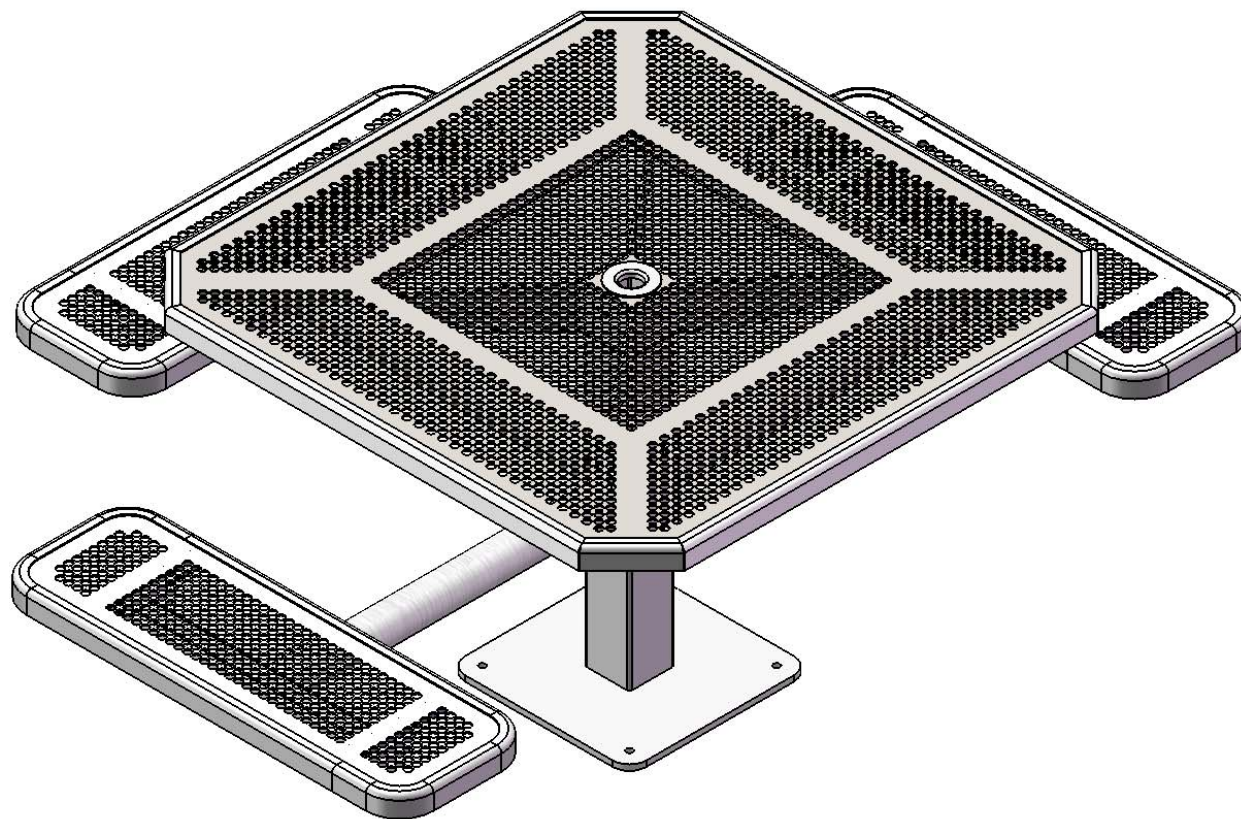


Site Amenities

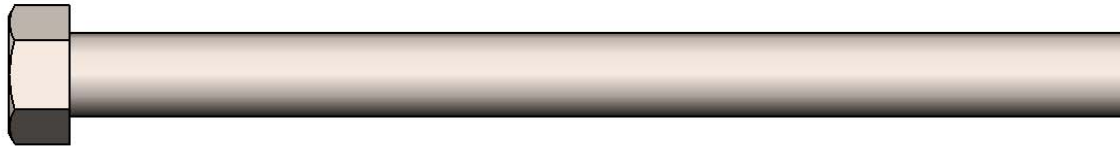
BY SUPERIOR RECREATIONAL PRODUCTS



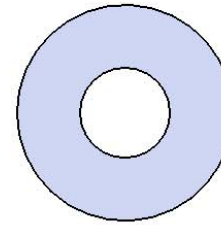
Model #
T46INNPED-3SM

S SUPERIOR[®]
RECREATIONAL PRODUCTS
A PLAYCORE Company

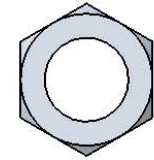
HARDWARE



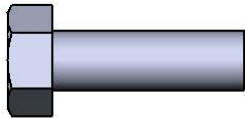
7/16" x 5-1/2"
Machine Bolt



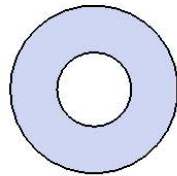
7/16" Washer



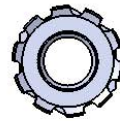
7/16" Hex Nut



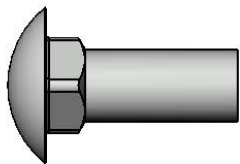
5/16" x 1"
Machine Bolt



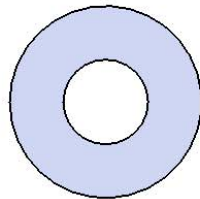
5/16" Washer



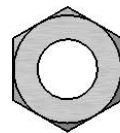
5/16" Kep Nut



3/8" x 1"
Carriage Bolt



3/8" Washer



3/8" Hex Nut

PRODUCT SPECIFICATIONS

T46INNVPE-3SM 46" SQUARE SURFACE MOUNT TABLE WITH 3 SEATS

Top & Seats: 11 gauge die formed angle frame 1"x1-7/8" with 3" radius on the corners. 12 gauge sheet steel is precision punched with a 5/8" diameter hole. 7 gauge x 1-1/2" flat bar center support and mounting bracket understructure. Top is additionally supported to the outer frame with 7 gauge x 1-1/2" flat bar. Electrically MIG welded.

Coating: Oven fused functionalized polyethylene copolymer-based thermoplastic. Fluidized bed coating application with superior mechanical performance, impact resistance and UV-stability.

Frame: Main support column is 4"x4"x11 gauge pre-galvanized structural steel tubing. Arms are fabricated from 2-7/8" O.D. x 12 gauge pre-galvanized structural steel tubing welded to 1/4" precision punched plates for attachment to the main column and 2"x2"x3/16" structural steel angle for lateral seat support. Seat attachment points are 10 gauge precision punched tabs. Table top attachment structure is fabricated from 1/4" formed steel and top attachment points are 7 gauge x 1-1/2" steel flat bar. Surface mount plate is 16" x 16" x 1/2" thick. All electrically MIG welded.

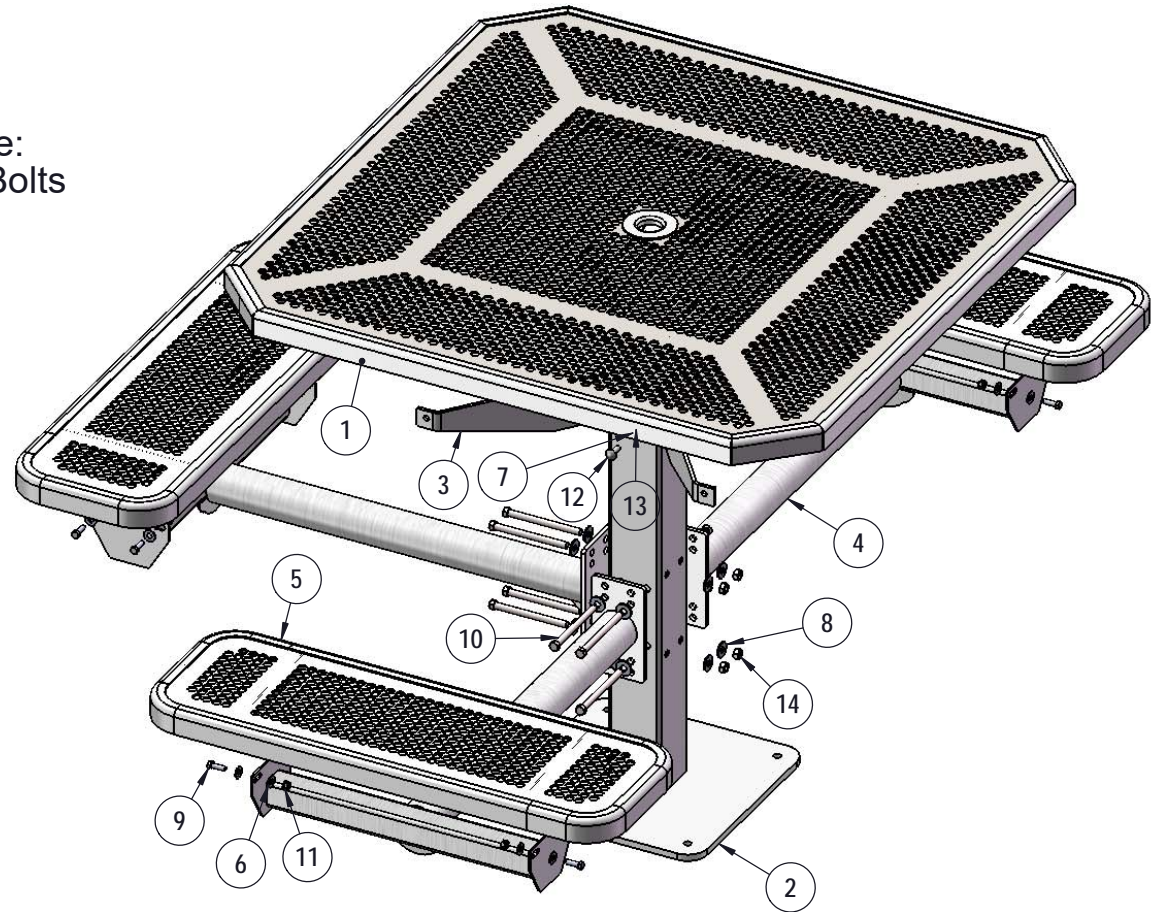
Frame Coating: Electrostatic powder coated application oven cured.

Hardware: All stainless steel hardware fasteners.

Dimensions: Top is 46" square x 30-1/4" high. Seats are 12" wide x 36" long x 18" high. Outside to outside dimensions of 3 seat table is 61-1/4" x 67-1/2".

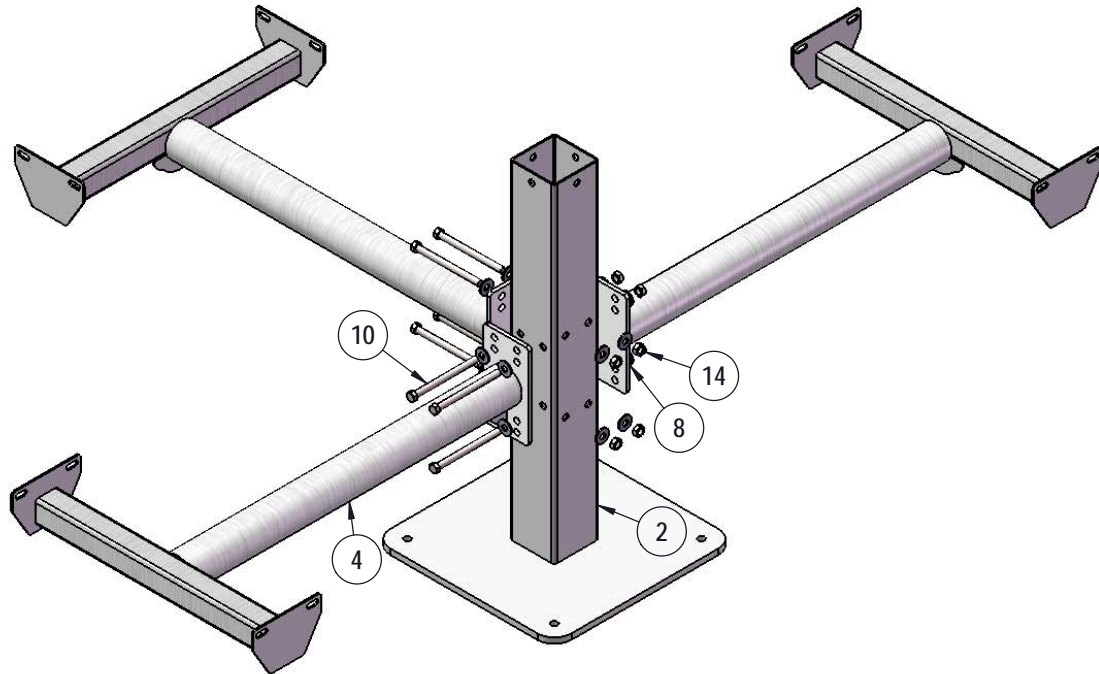
COMPONENTS

Recommended Surface Mount Hardware:
3/8" x 3-1/2" Concrete Expansion Anchor Bolts
(Not Included)



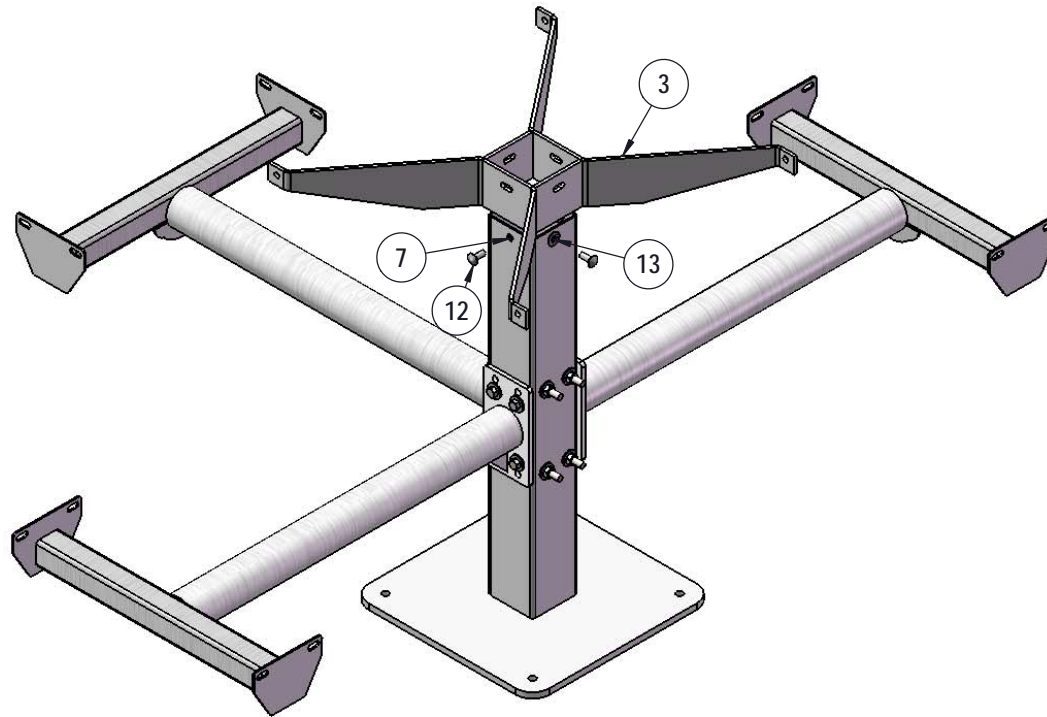
| ITEM NO. | PartNo | DESCRIPTION | QTY |
|----------|--------------|------------------------------|-----|
| 1 | T-OP46-T | 46" Octagon Punched Top | 1 |
| 2 | 338SM | 338 SM post asem | 1 |
| 3 | P-01-04-0150 | H Bracket | 1 |
| 4 | P-V338-ARM | 338 vinyl arm | 3 |
| 5 | T-P36-S | 3' Punched Seat | 3 |
| 6 | 33-02-0007 | 5/16" SS Washer | 32 |
| 7 | 33-02-0008 | 3/8" Flat Washer (SS) | 4 |
| 8 | 33-02-0004 | 7/16" SS Washer | 16 |
| 9 | 33-05-0029 | 5/16" x 1" Machine Bolt (SS) | 16 |
| 10 | 33-06-0050 | 7/16" x 5-1/2" Machine Bolt | 8 |
| 11 | 33-03-0012 | 5/16" Kep Nut (SS) | 16 |
| 12 | 33-06-0042 | 3/8" x 1" Carriage Bolt (SS) | 4 |
| 13 | 33-01-0018 | 3/8" Hex Nut (SS) | 4 |
| 14 | 33-01-0006 | 7/16" Hex Nut (SS) | 8 |

STEP 1



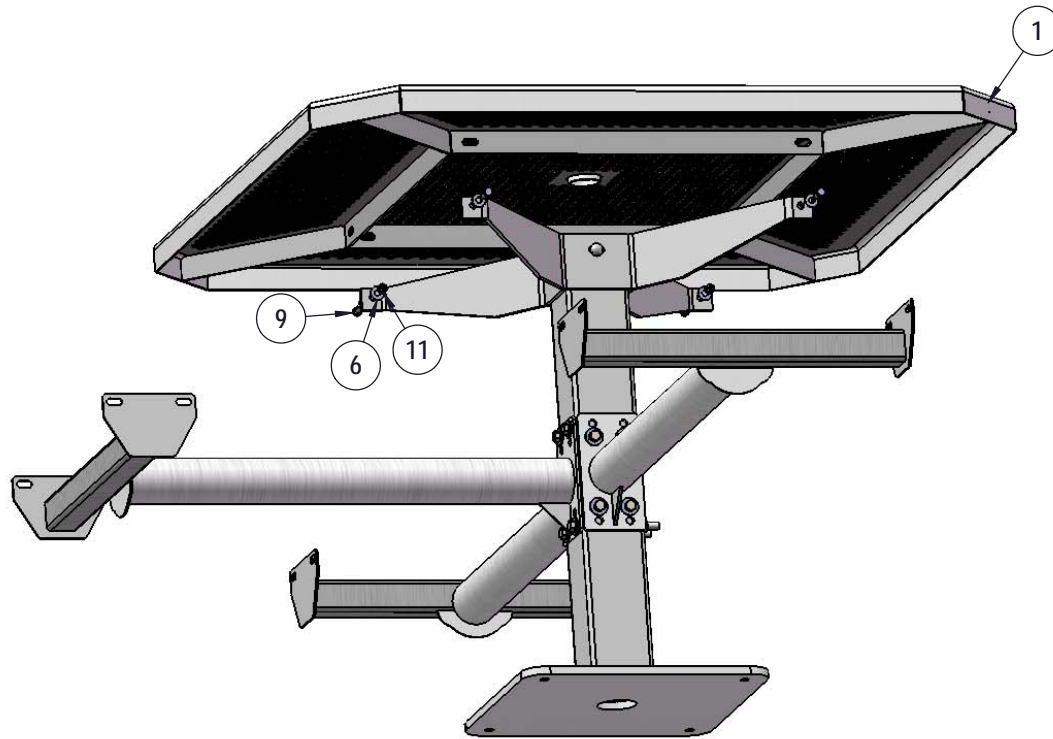
Attach the Arms to the Post using specified hardware.

STEP 2



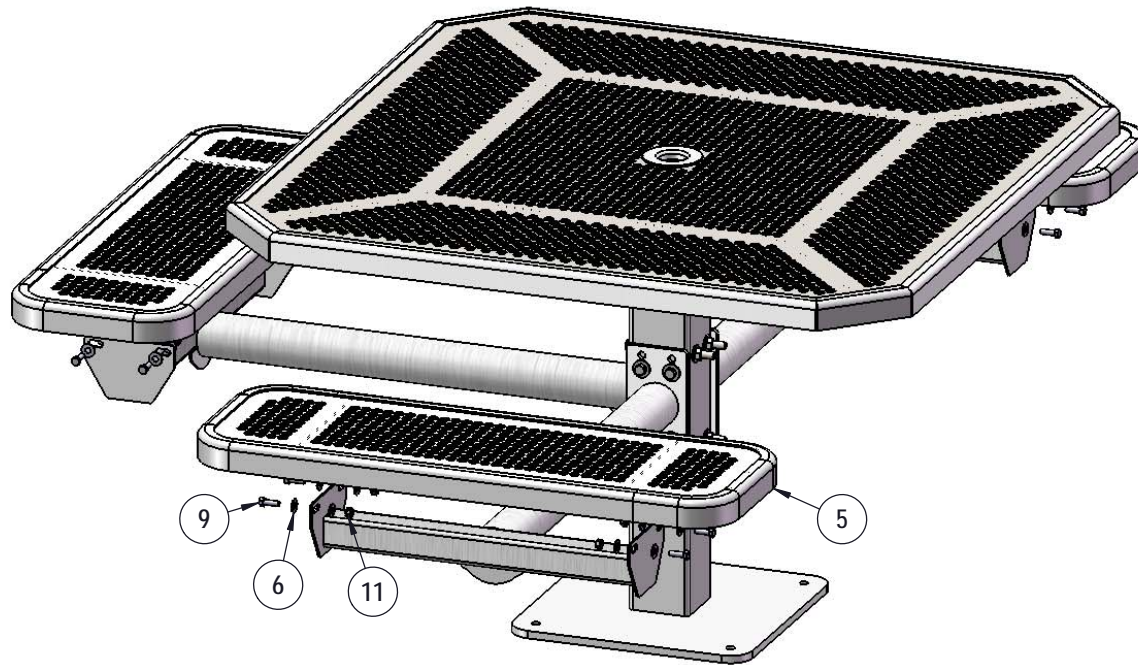
Attach the H Bracket to the Post using specified hardware.

STEP 3



Attach the 46" Octagon Top to the H Bracket using specified hardware.

STEP 4



Attach the 3' Seats to the Arms using specified hardware.

OVERALL DIMENSIONS

