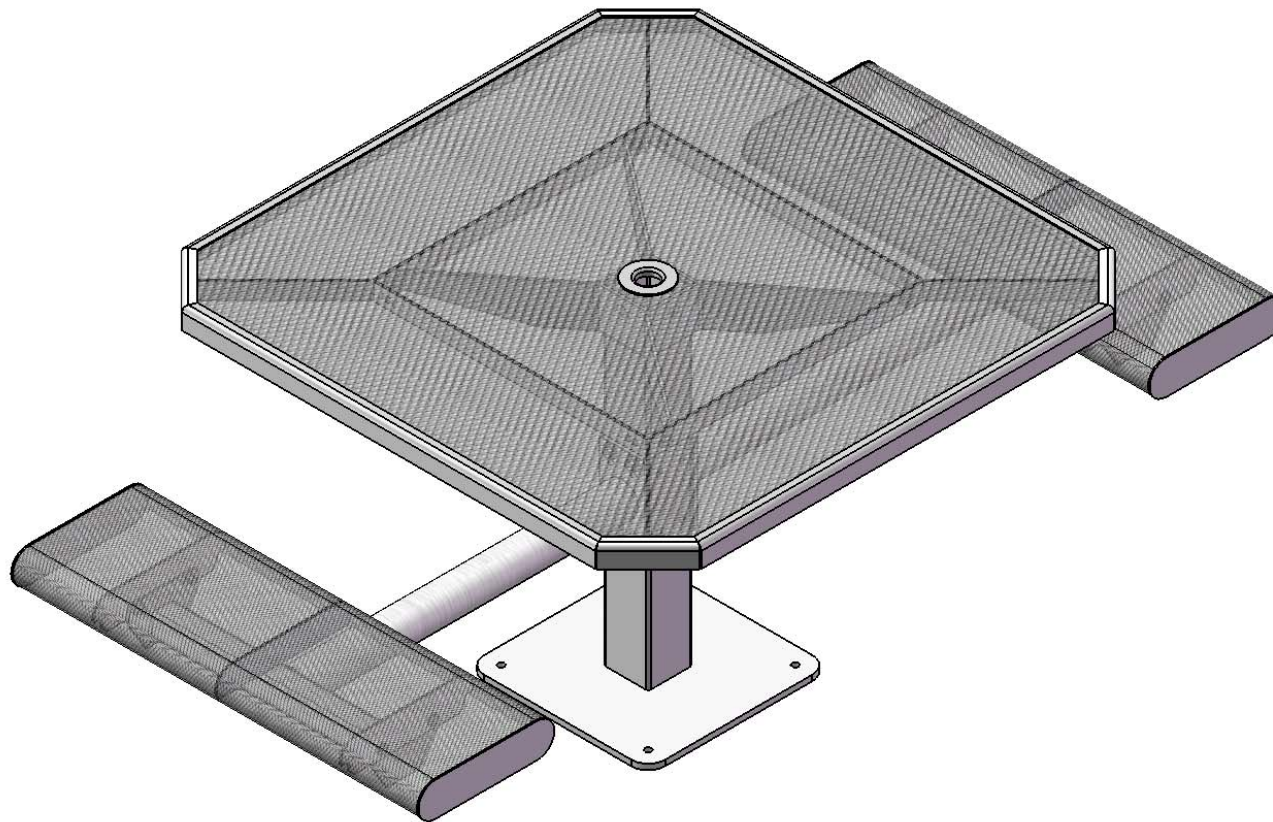


Site Amenities

BY SUPERIOR RECREATIONAL PRODUCTS



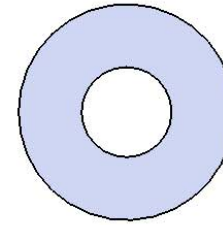
Model #
T46OCTROLLPED-2SM
T46OCTROLLPED-2SMADA

 **SUPERIOR**[®]
RECREATIONAL PRODUCTS
A **PLAYCORE** Company

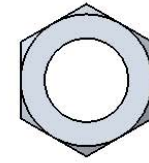
HARDWARE



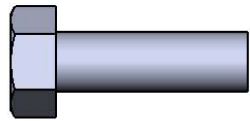
7/16" X 5-1/2"
Machine Bolt



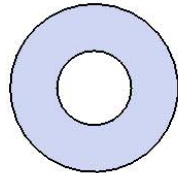
7/16" Washer



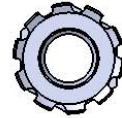
7/16" Hex Nut



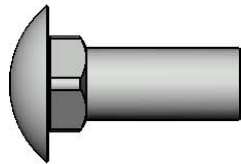
5/16" x 1"
Machine Bolt



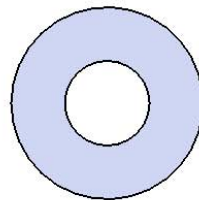
5/16" Washer



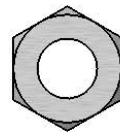
5/16" Kep Nut



3/8" x 1"
Carriage Bolt



3/8" Washer



3/8" Hex Nut

PRODUCT SPECIFICATIONS

T46OCTROLLPED-2SM T46OCTROLLPRED-2SMADA 46" SQUARE SURFACE MOUNT TABLE WITH 2 SEATS

Top & Seats: Table top frame is 11 gauge die formed angle frame 1"x1-7/8" with 3" radius corners. 3/4" #9 steel expanded metal. 7 gauge x 1-1/2" flat bar center support and mounting bracket understructure. Top is additionally supported to the corners with 7 gauge x 1-1/2" flat bar. Seat end plates are fabricated out of 7 gauge x 3" with a 3" diameter corners. 5/8" rod to finish off expanded edge. Electrically MIG welded.

Coating: Oven fused functionalized polyethylene copolymer-based thermoplastic. Fluidized bed coating application with superior mechanical performance, impact resistance and UV-stability.

Frame: Main support column is 4"x4"x11 gauge pre-galvanized structural steel tubing. Arms are fabricated from 2-7/8" O.D. x 12 gauge pre-galvanized structural steel tubing welded to 1/4" precision punched plates for attachment to the main column and 2"x2"x3/16" structural steel angle for lateral seat support. Seat attachment points are 10 gauge precision punched tabs. Table top attachment structure is fabricated from 2"x2"x3/16" structural steel angle and top attachment points are 7 gauge x 1-1/2" steel flat bar.

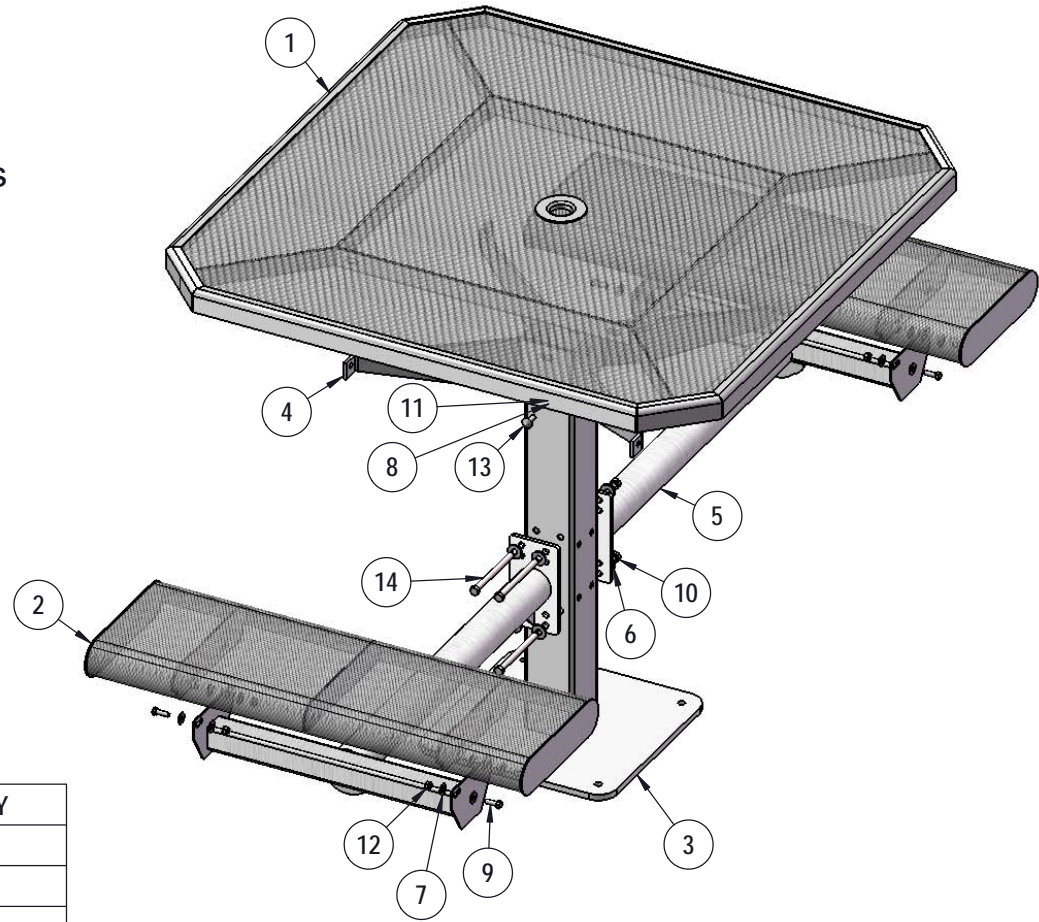
Frame Coating: Electrostatic powder coated application oven cured.

Hardware: All stainless steel hardware fasteners.

Dimensions: Top is 46" square x 30-1/4" high. Seats are 12" wide x 36" long x 19" high. Outside to outside dimensions of 2 seat table is 76-1/2" x 46".

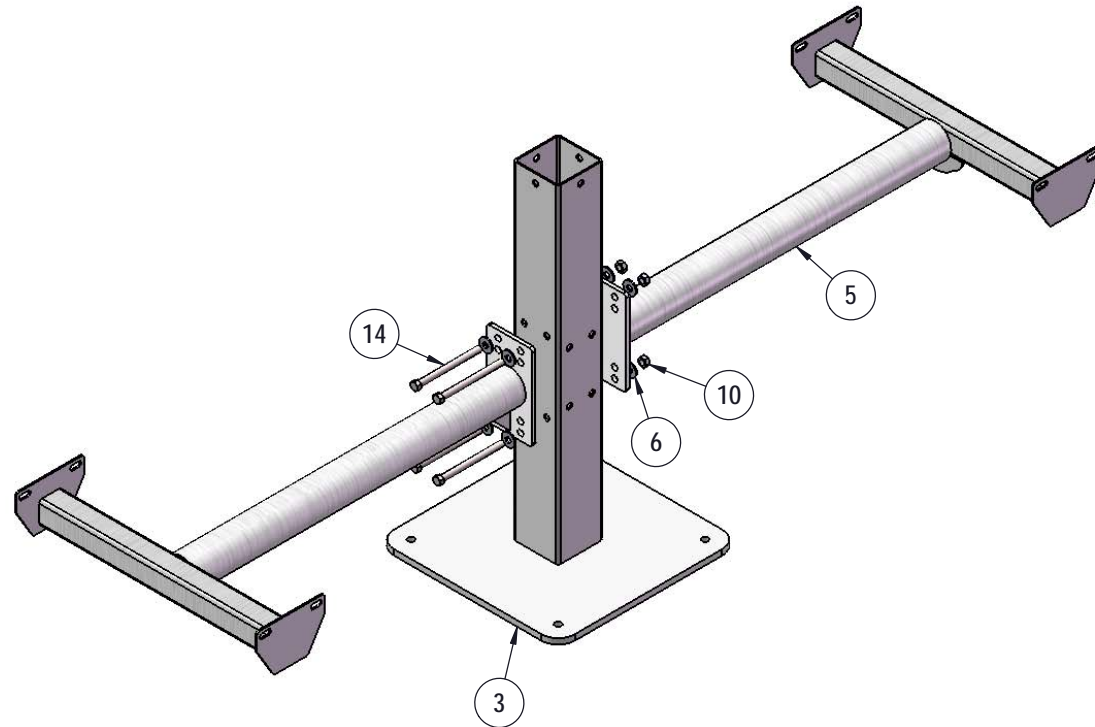
COMPONENTS

Recommended Surface Mount Hardware:
3/8" x 3-1/2" Concrete Expansion Anchor Bolts
(Not Included)



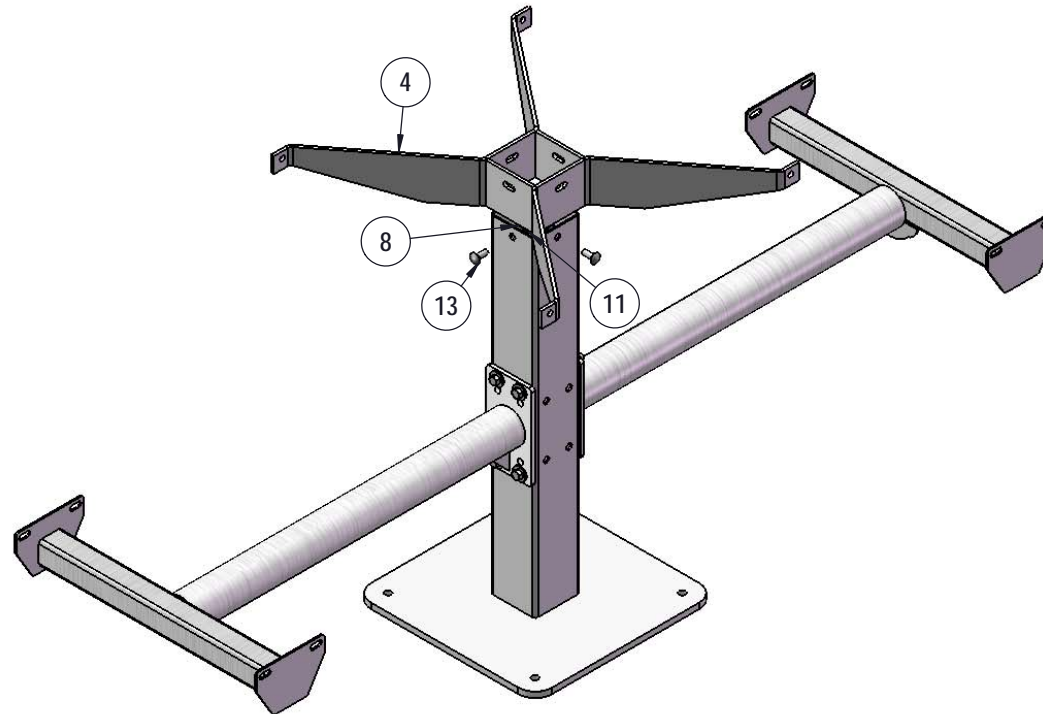
ITEM NO.	PartNo	DESCRIPTION	QTY
1	T-OV46-T	46" Octagon Expanded Top	1
2	VR36-S	3' Vinyl Rolled Seat	2
3	338SM	338 SM post asem	1
4	P-01-04-0150	H Bracket	1
5	P-V338-ARM	338 vinyl arm	2
6	33-02-0004	7/16" SS Washer	8
7	33-02-0007	5/16" SS Washer	24
8	33-02-0008	3/8" Flat Washer (SS)	4
9	33-05-0029	5/16" x 1" Machine Bolt (SS)	12
10	33-01-0006	7/16" Hex Nut (SS)	4
11	33-01-0018	3/8" Hex Nut (SS)	4
12	33-03-0012	5/16" Kep Nut (SS)	12
13	33-06-0042	3/8" x 1" Carriage Bolt (SS)	4
14	33-06-0050	7/16" x 5-1/2" Machine Bolt	4

STEP 1



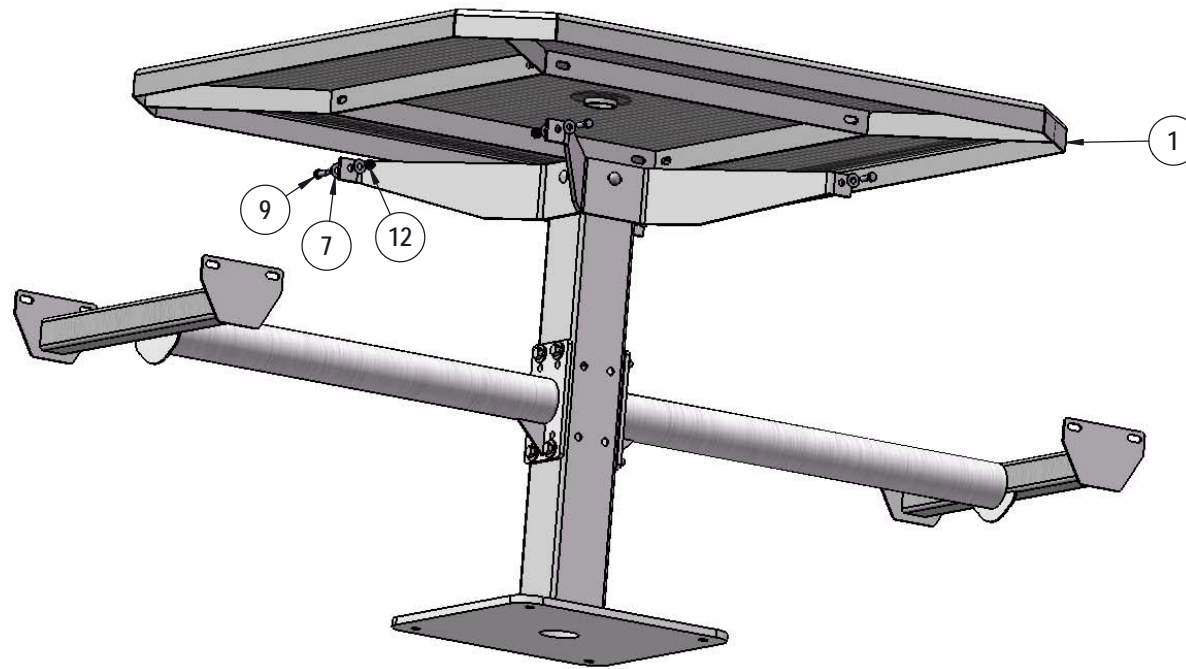
Attach the Arms to the Post using specified hardware.

STEP 2



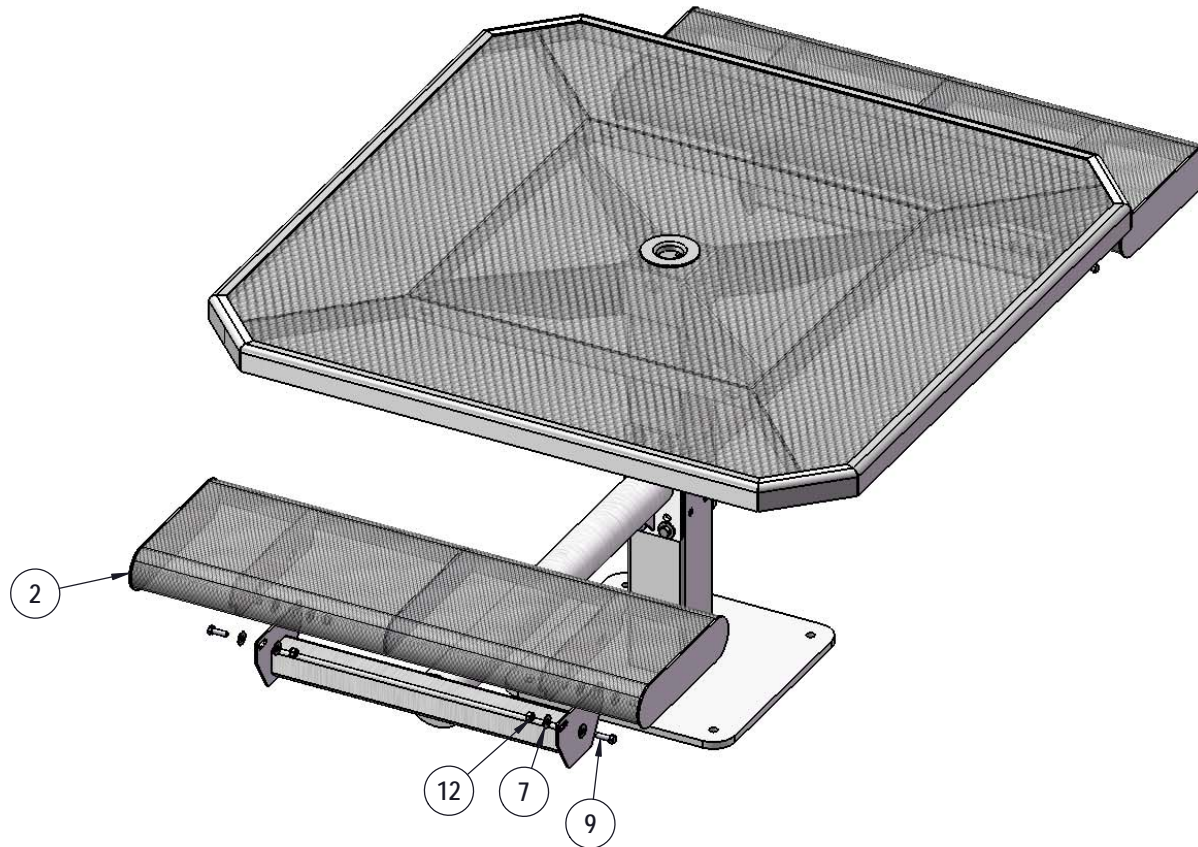
Attach the H Bracket to the Post using specified hardware.

STEP 3



Attach the 46" Octagon Top to the H Bracket using specified hardware.

STEP 4



Attach the 3' Seats to the Arms using specified hardware.

OVERALL DIMENSIONS

