

# Site Amenities

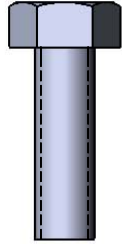
BY SUPERIOR RECREATIONAL PRODUCTS



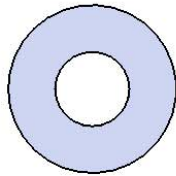
Model #  
T46PERF-3

**S** SUPERIOR<sup>®</sup>  
RECREATIONAL PRODUCTS  
A PLAYCORE<sup>®</sup> Company

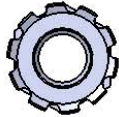
# HARDWARE



5/16" x 1"  
Machine Bolt



5/16" Washer



5/16" Kep Nut

# PRODUCT SPECIFICATIONS

## **T46PERF-3 46" PORTABLE TABLE WITH 3 SEATS**

**Top & Seats:** Top and seats shall have a 1 ½" radius edge, fabricated from 14 ga. plate. Holes are precision punched at 5/8" diameter to create the punched hole pattern. The understructure/attachment plates are fabricated from 7 gauge x 1-1/2" flat bar. Top is additionally supported to the outer frame with 7 gauge x 1-1/2" flat bar. Electrically MIG welded.

**Coating:** Oven fused functionalized polyethylene copolymer-based thermoplastic. Fluidized bed coating application with superior mechanical performance, impact resistance and UV-stability.

**Frame:** 1-5/8" O.D. x 14 gauge pre-galvanized structural steel tubing. Brace attachment points are 1-1/2"x2"x3/16" steel flat bar. Cross braces 1" O.D. x 16 gauge pre-galvanized structural steel tubing. Top is attached with 7 gauge 2"x2" die formed angle. Seat mounting points are 7 gauge x 1-1/2" die stamped steel flat bar. Legs are bent over a mandrel through the bend radius producing a wrinkle free bend. Holes are predrilled in legs for optional surface mounting. All electrically MIG welded.

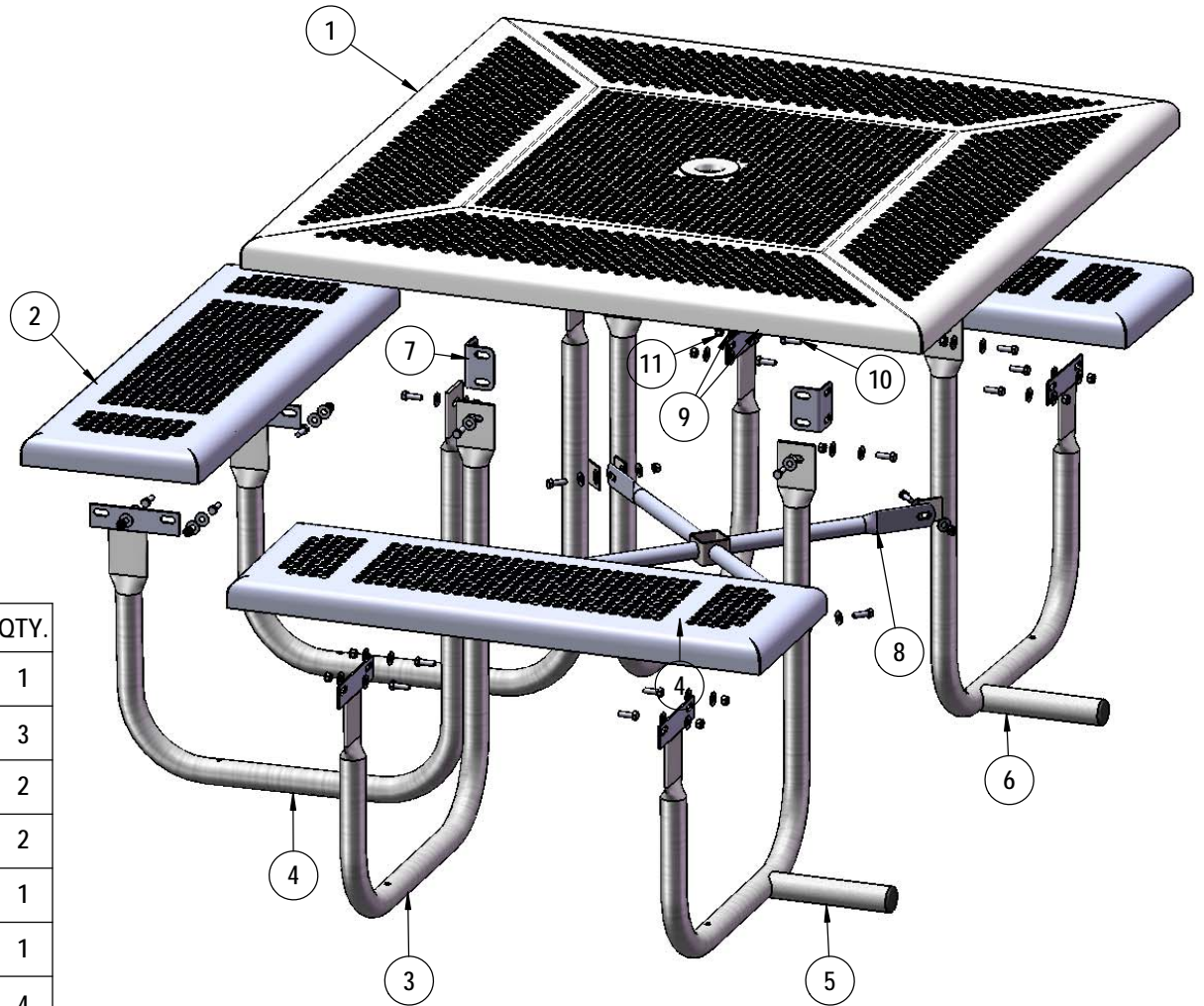
**Frame Coating:** Electrostatic powder coated application oven cured.

**Hardware:** All stainless steel hardware fasteners.

**Dimensions:** Top is 46" square x 30" high. Seats are 12" wide x 36" long x 18-1/2" high. Outside to outside dimensions of 3 seat table is 79-5/16" x 62-11/16".

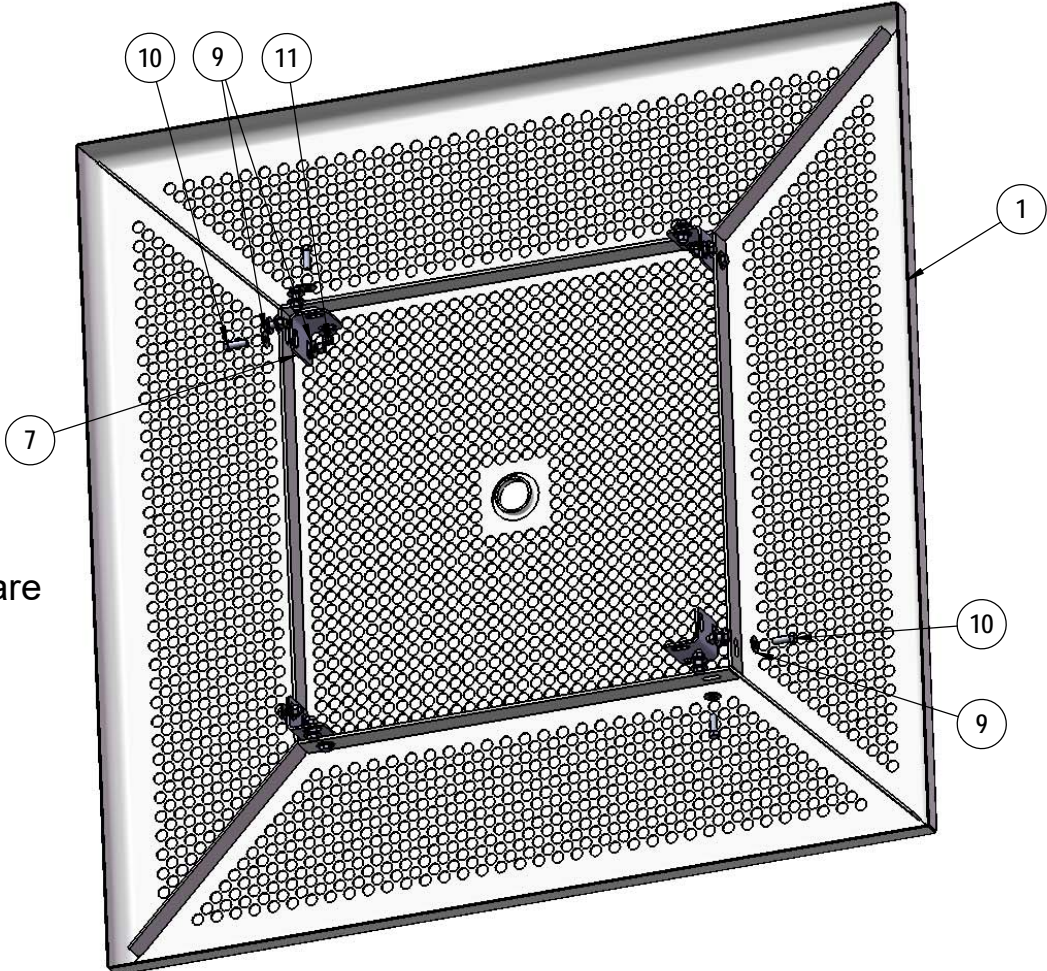
# COMPONENTS

Optional Surface Mount Hardware:  
5/16" x 4-1/2" Concrete Expansion Anchor Bolts  
(Not Included)



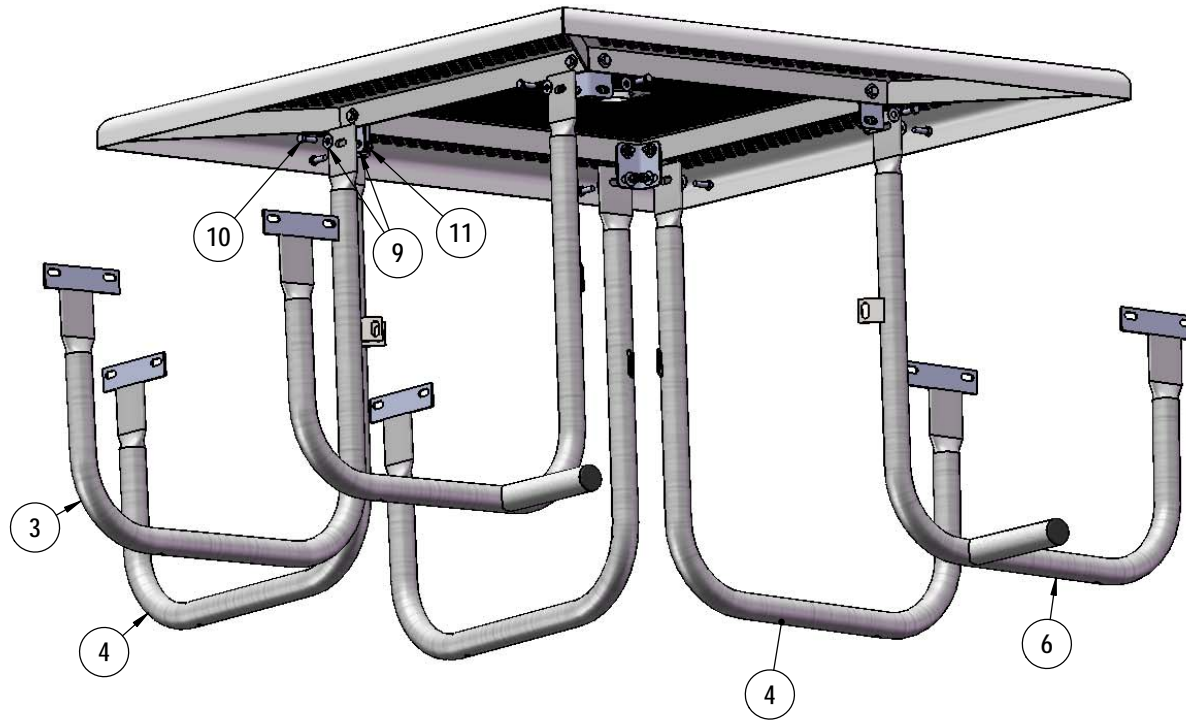
ITEM NO.	PartNo	DESCRIPTION	QTY.
1	T-PR46-T	46" Square Punched Rolled Top	1
2	T-PR36-S	3' Punched Rolled Seat	3
3	P-V358-L	358 Vinyl Leg L	2
4	P-V358-R	358 Vinyl Leg R	2
5	P-01-04-0441	358 Vinyl Leg RH	1
6	P-01-04-0440	358 Vinyl Leg LH	1
7	P-01-04-0121	358 Extension Tab	4
8	P-01-04-0122	358 Crossbrace w/ Umbrella Tube	1
9	33-02-0007	5/16" SS Washer	64
10	33-05-0029	5/16" x 1" Machine Bolt (SS)	32
11	33-03-0012	5/16" Kep Nut (SS)	32

# STEP 1



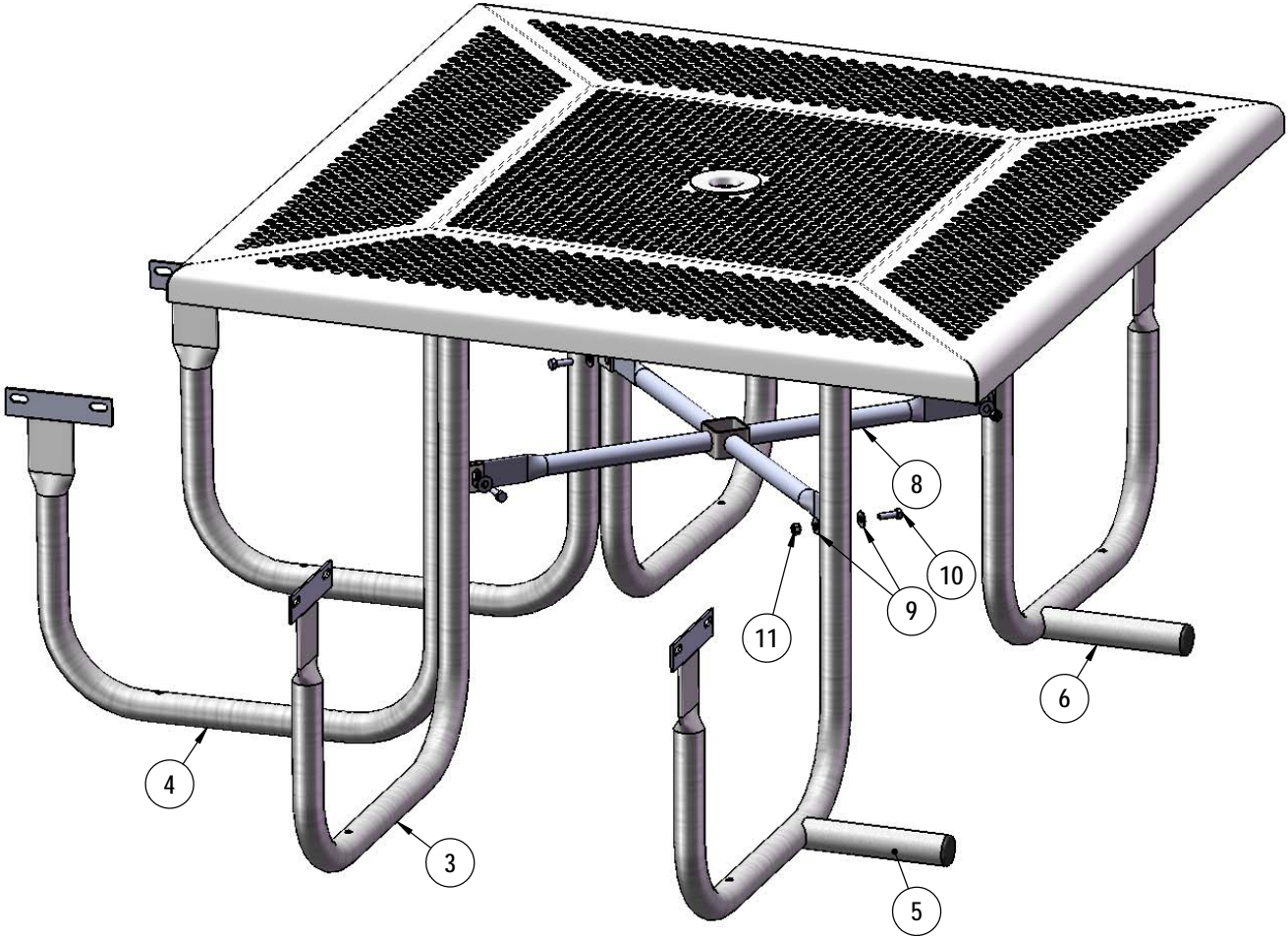
Attach the Extension Tabs to the 46" Square Top using specified hardware.

## STEP 2



Attach the Legs to the Extension Tabs using specified hardware.

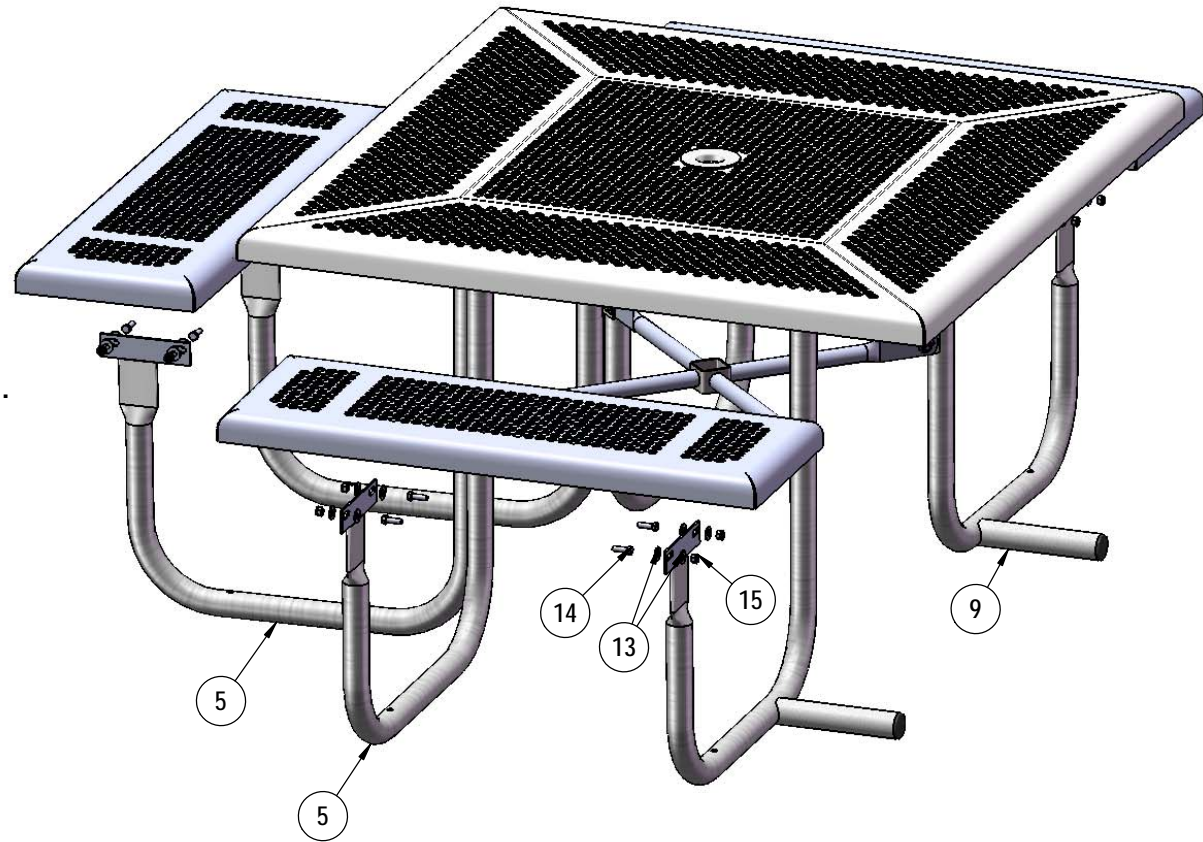
# STEP 3



Attach the Crossbrace between the legs as shown using specified hardware.

# STEP 4

Attach the 3' Seats to the Legs using specified hardware.





# OVERALL DIMENSIONS

