

Site Amenities

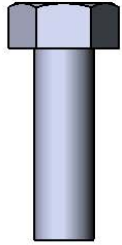
BY SUPERIOR RECREATIONAL PRODUCTS



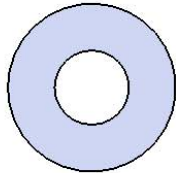
Model #
T46RACS-ELEM
T46UL-ELEM

S SUPERIOR[®]
RECREATIONAL PRODUCTS
A PLAYCORE Company

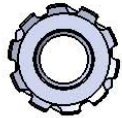
HARDWARE



5/16" x 1"
Machine Bolt



5/16" Washer



5/16" Kev Nut

PRODUCT SPECIFICATIONS

T46RACS-ELEM T46UL-ELEM 46" PORTABLE TABLE WITH 4 SEATS

Top & Seats: 11 gauge die formed angle frame 1"x1-7/8". 3/4" #9 expanded metal. 7 gauge x 1-1/2" flat bar center support and mounting bracket understructure. Top is additionally supported to the corners with 7 gauge x 1-1/2" flat bar. Electrically MIG welded.

Coating: Oven fused functionalized polyethylene copolymer-based thermoplastic. Fluidized bed coating application with superior mechanical performance, impact resistance and UV-stability.

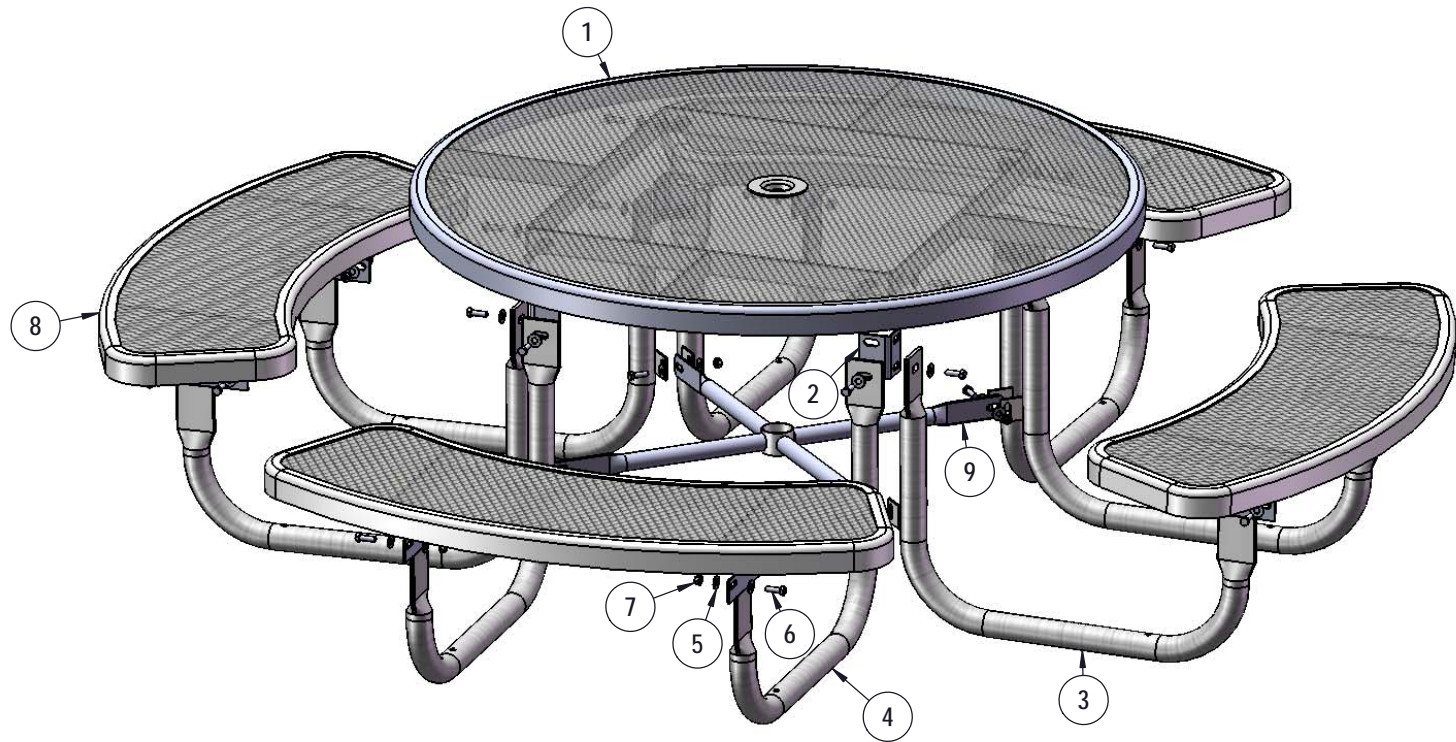
Frame: 1-5/8" O.D. x 14 gauge pre-galvanized structural steel tubing. Brace attachment points are 1-1/2"x2"x3/16" steel flat bar. Cross braces 1" O.D. x 16 gauge pre-galvanized structural steel tubing. Top is attached with 7 gauge 2"x2" die formed angle. Seat mounting points are 7 gauge x 1-1/2" die stamped steel flat bar. Legs are bent over a mandrel through the bend radius producing a wrinkle free bend. All electrically MIG welded.

Frame Coating: Electrostatic powder coated application oven cured.

Hardware: All stainless steel hardware fasteners.

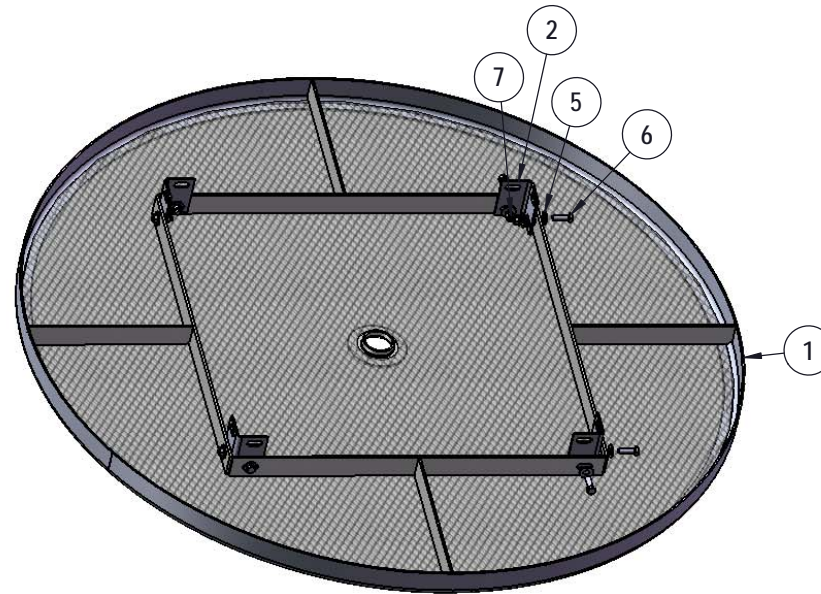
Dimensions: Top is 46" diameter x 20" high. Seats are 12" wide x 40-1/8" long x 12" high. Outside to outside dimensions of 4 seat table is 83"x 83".

COMPONENTS



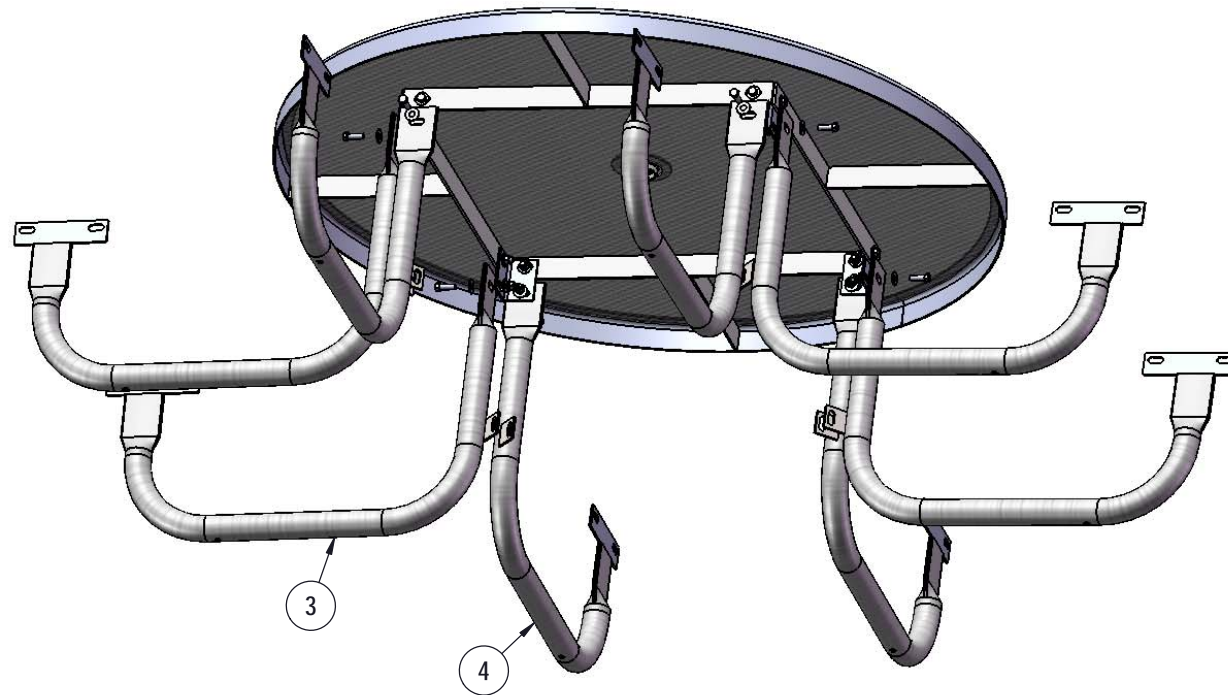
ITEM NO.	PartNo	DESCRIPTION	QTY
1	T-V46RD-T	46" Round Expanded Top	1
2	P-01-04-0121	358 Extension Tab	4
3	P-V358PS-L	358 Preschool Vinyl Leg L	4
4	P-V358PS-R	358 Preschool Vinyl Leg R	4
5	33-02-0007	5/16" SS Washer	72
6	33-05-0029	5/16" x 1" Machine Bolt (SS)	36
7	33-03-0012	5/16" Kep Nut (SS)	36
8	T-V36RD-S	3' Expanded Round Seat	4
9	P-01-04-0122	358 Crossbrace w/ Umbrella Tube	1

STEP 1



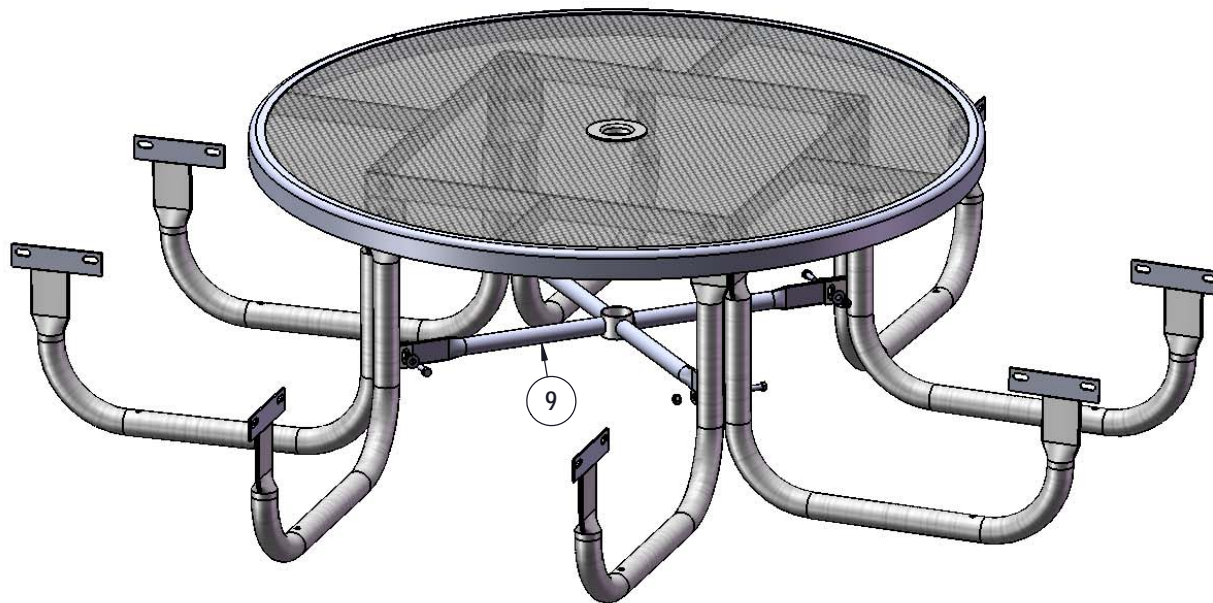
Attach the Extension Tabs to the 46" Round table top as shown using specified hardware.

STEP 2



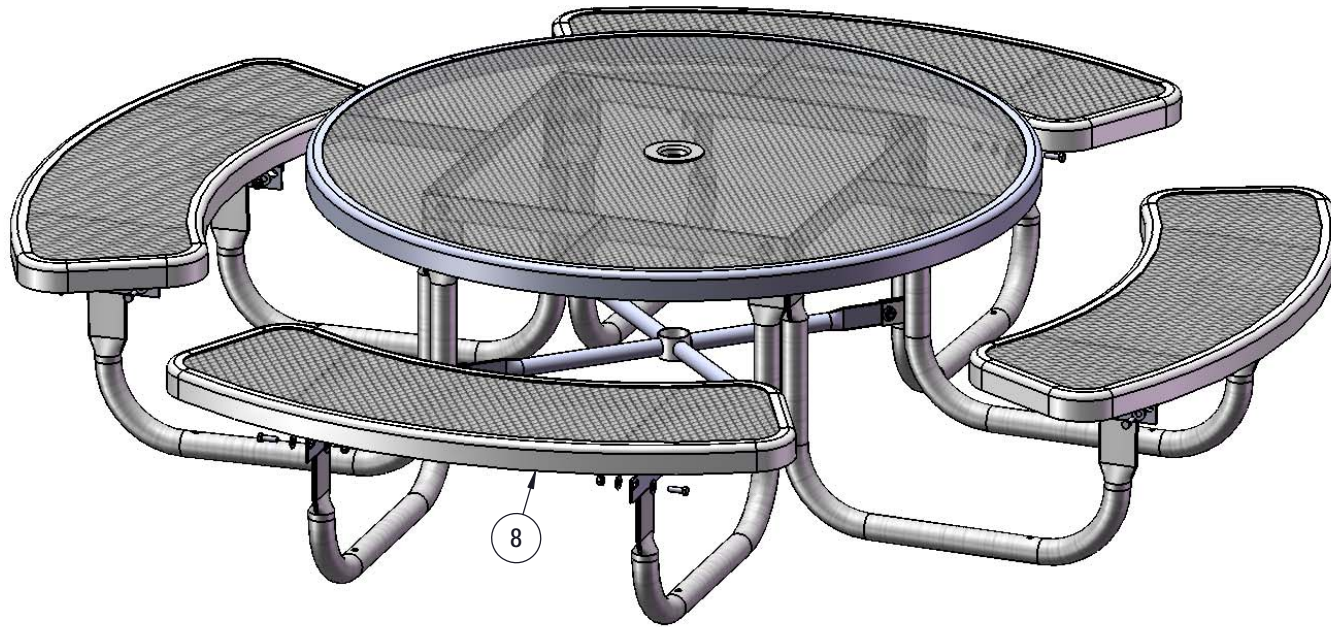
Attach the Preschool Legs to the Extension Tabs as shown using specified hardware.

STEP 3



Attach the Cross Brace to the Preschool Legs as shown using specified hardware.

STEP 4



Attach the 3' Round Seats to the Preschool Legs as shown using specified hardware.

OVERALL DIMENSIONS

