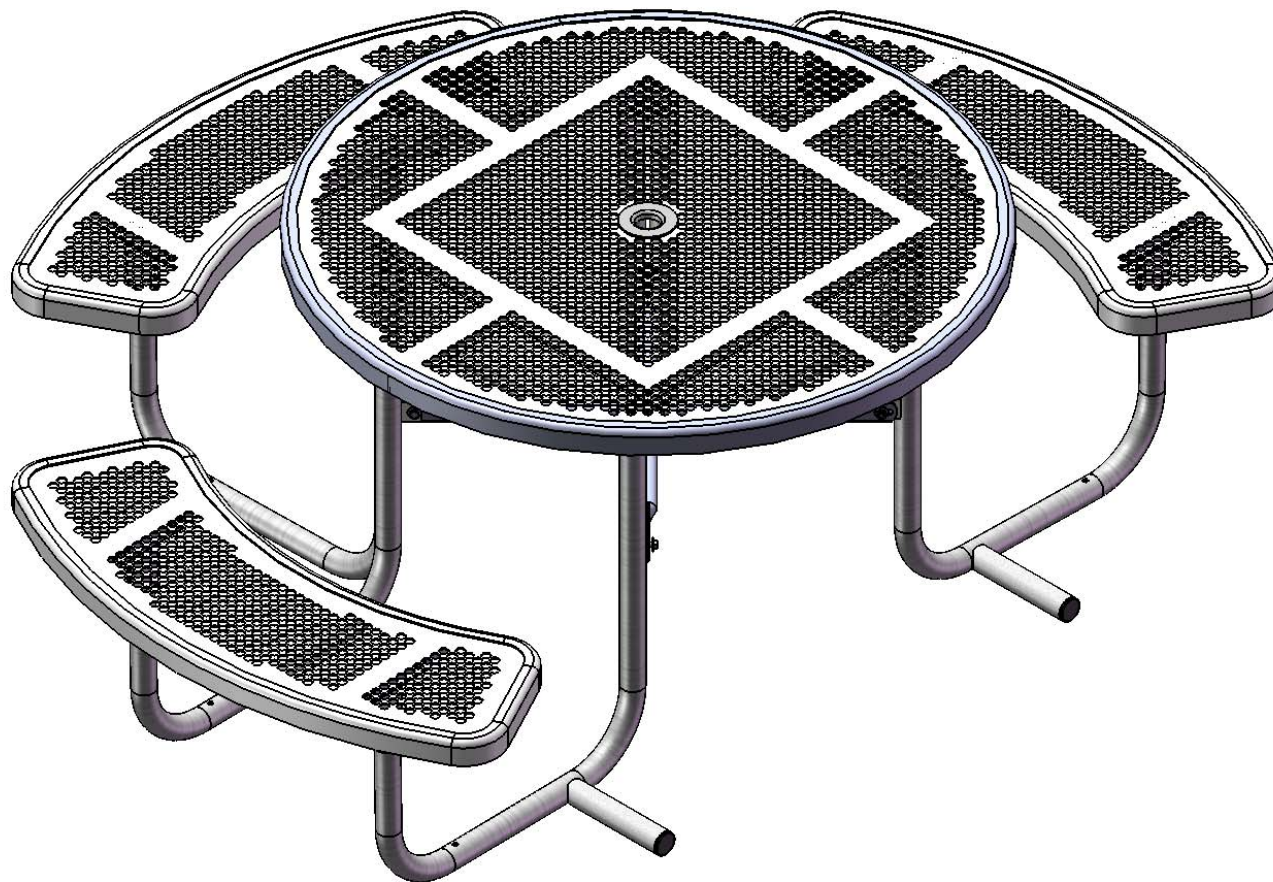


Site Amenities

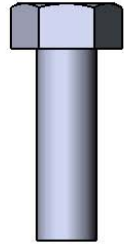
BY SUPERIOR RECREATIONAL PRODUCTS



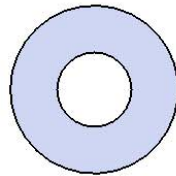
Model #
T46RACSINNV-3

 **SUPERIOR**[®]
RECREATIONAL PRODUCTS
A **PLAYCORE** Company

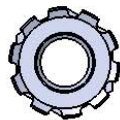
HARDWARE



5/16" X 1"
Machine Bolt



5/16" Washer



5/16" Kep Nut

PRODUCT SPECIFICATIONS

T46RACSINNV-3 46" ROUND PORTABLE TABLE WITH 3 SEATS

Top & Seats: 11 gauge die formed angle frame 1"x1-7/8" with 3" radius on the seat corners. A 12 gauge piece of sheet steel is precision punched with a 5/8" hole to create the punched hole pattern. The understructure/attachment plates are fabricated from 7 gauge x 1-1/2" flat bar. Top is additionally supported to the outer frame with 7 gauge x 1-1/2" flat bar. Electrically MIG welded.

Coating: Oven fused functionalized polyethylene copolymer-based thermoplastic. Fluidized bed coating application with superior mechanical performance, impact resistance and UV-stability.

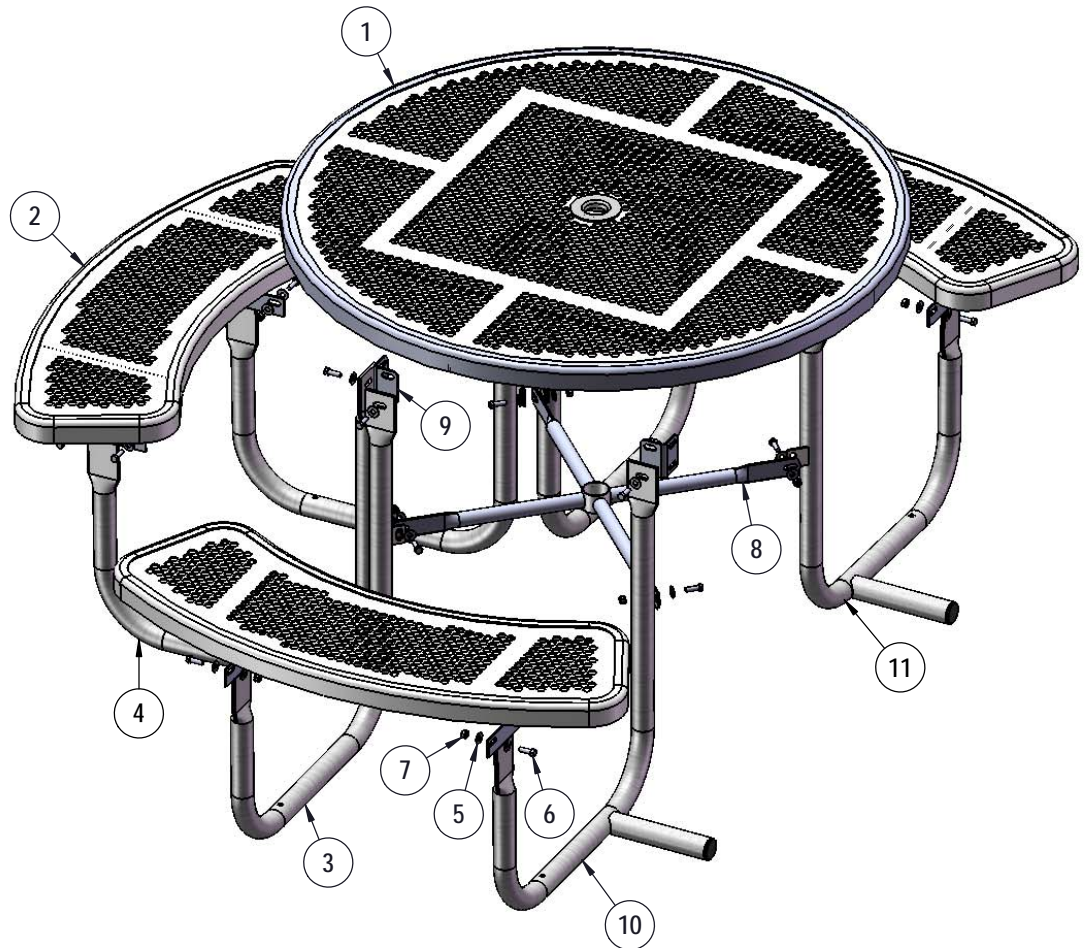
Frame: 1-5/8" O.D. x 14 gauge pre-galvanized structural steel tubing. Brace attachment points are 1-1/2"x2"x3/16" steel flat bar. Cross braces 1" O.D. x 16 gauge pre-galvanized structural steel tubing. Top is attached with 7 gauge 2"x2" die formed angle. Seat mounting points are 7 gauge x 1-1/2" die stamped steel flat bar. Legs are bent over a mandrel through the bend radius producing a wrinkle free bend. All electrically MIG welded.

Frame Coating: Electrostatic powder coated application oven cured.

Hardware: All stainless steel hardware fasteners.

Dimensions: Top is 46" round x 30-1/4" high. Seats are 12" wide x 40" long x 18-1/4" high. Outside to outside dimensions of 3 seat table is 82-1/4" x 70-3/4".

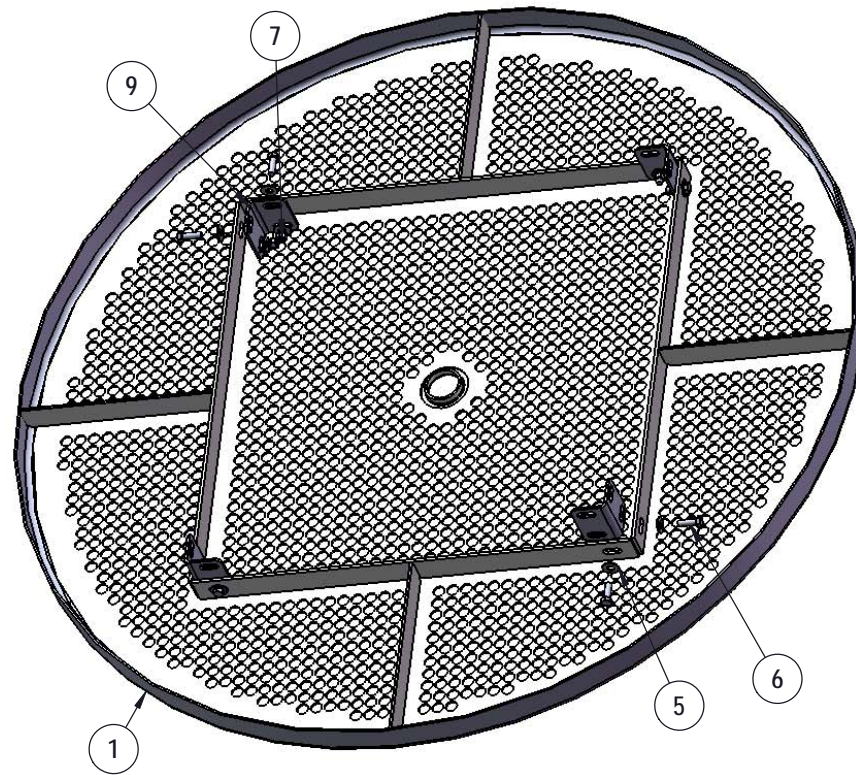
COMPONENTS



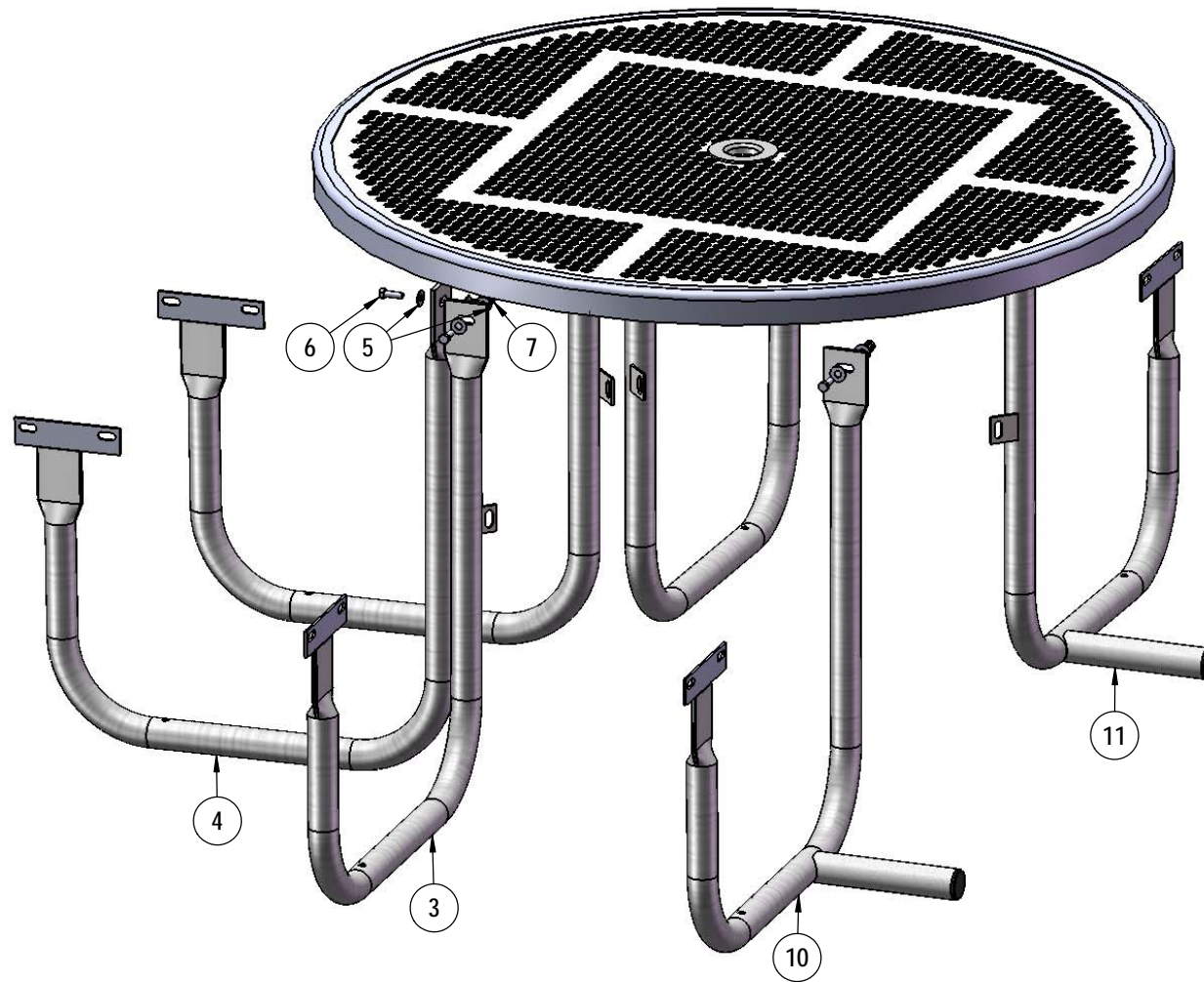
ITEM NO.	PartNo	DESCRIPTION	QTY
1	T-P46RD-T	46" Round Punched Top	1
2	T-P36RD-S	3' Punched Round Seat	3
3	P-V358-L	358 Vinyl Leg L	2
4	P-V358-R	358 Vinyl Leg R	2
5	33-02-0007	5/16" SS Washer	60
6	33-05-0029	5/16" x 1" Machine Bolt (SS)	30
7	33-03-0012	5/16" Kep Nut (SS)	30
8	P-01-04-0122	358 Crossbrace w/ Umbrella Tube	1
9	P-01-04-0121	358 Extension Tab	4
10	P-01-04-0441	358 Vinyl Leg RH	1
11	P-01-04-0440	358 Vinyl Leg LH	1

STEP 1

Attach the Extension Tabs to the 46" Round Top using specified hardware.

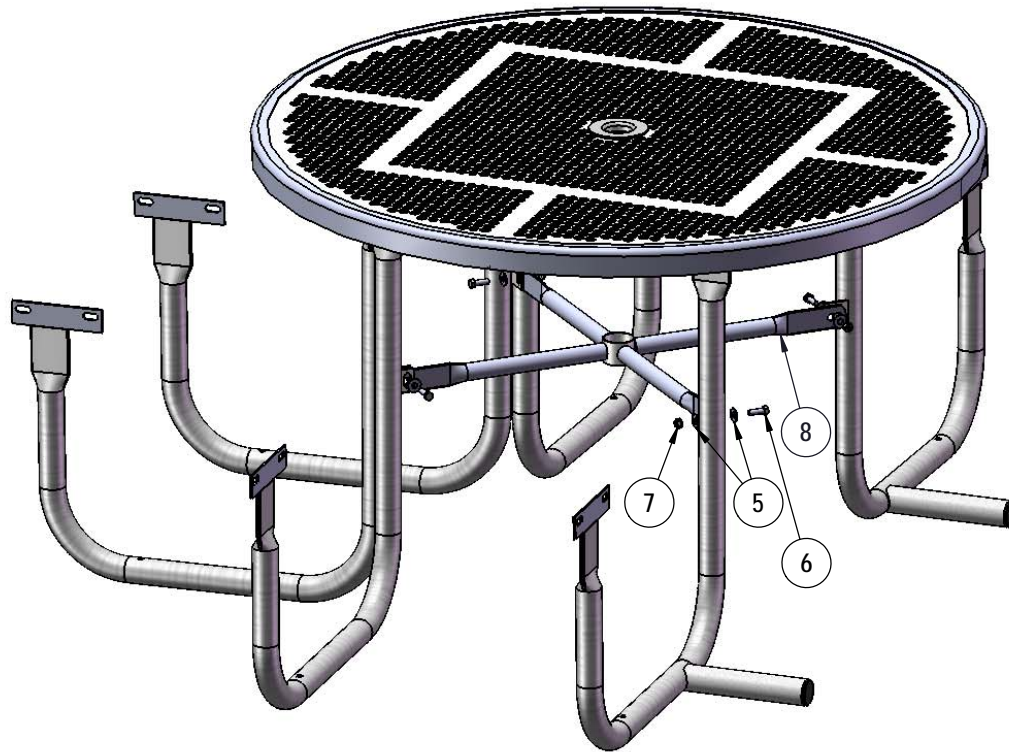


STEP 2



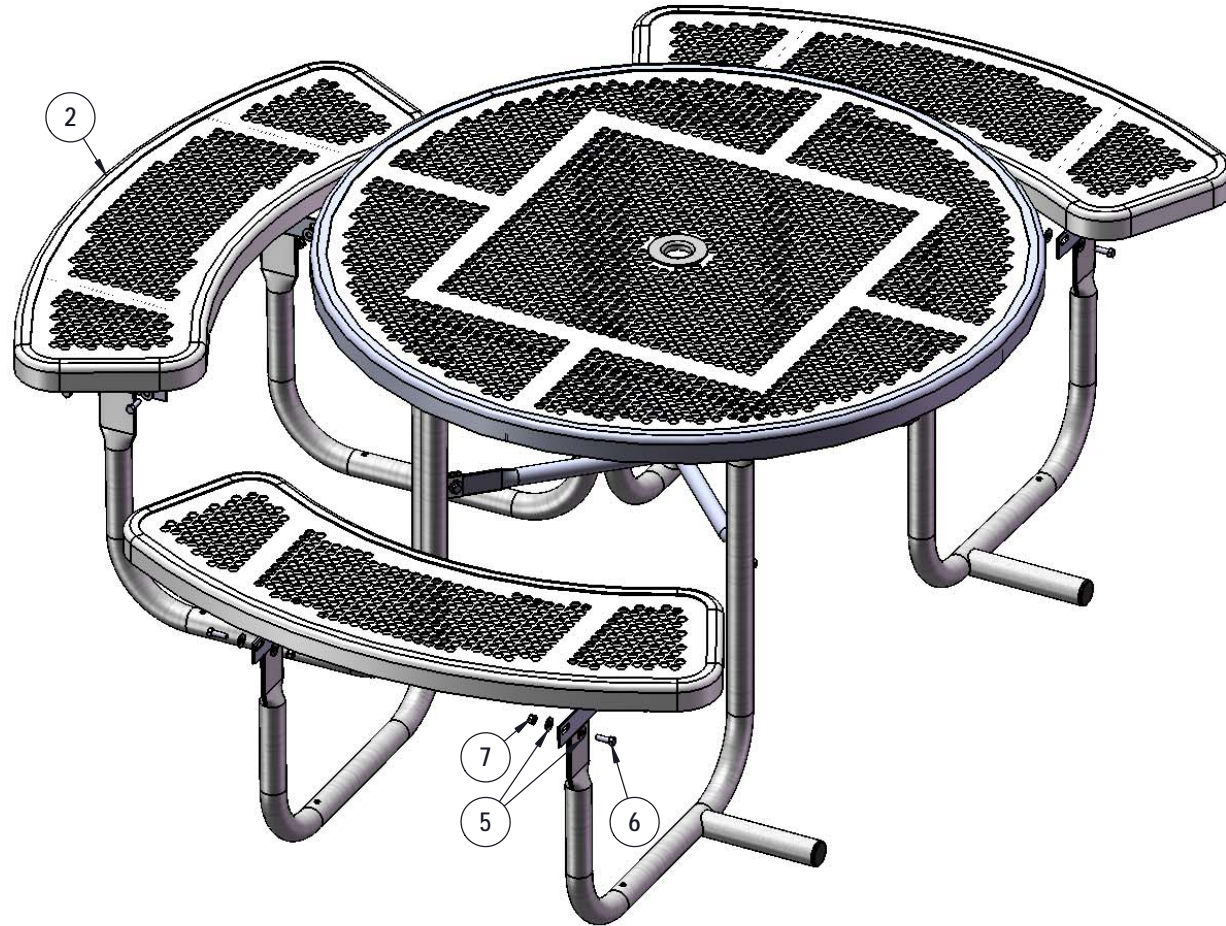
Attach the Legs to the Extension Tabs using specified hardware.

STEP 3



Attach the Crossbrace between the table legs as shown using specified hardware.

STEP 4



Attach the 3' Seats to the Legs using specified hardware.

OVERALL DIMENSIONS

