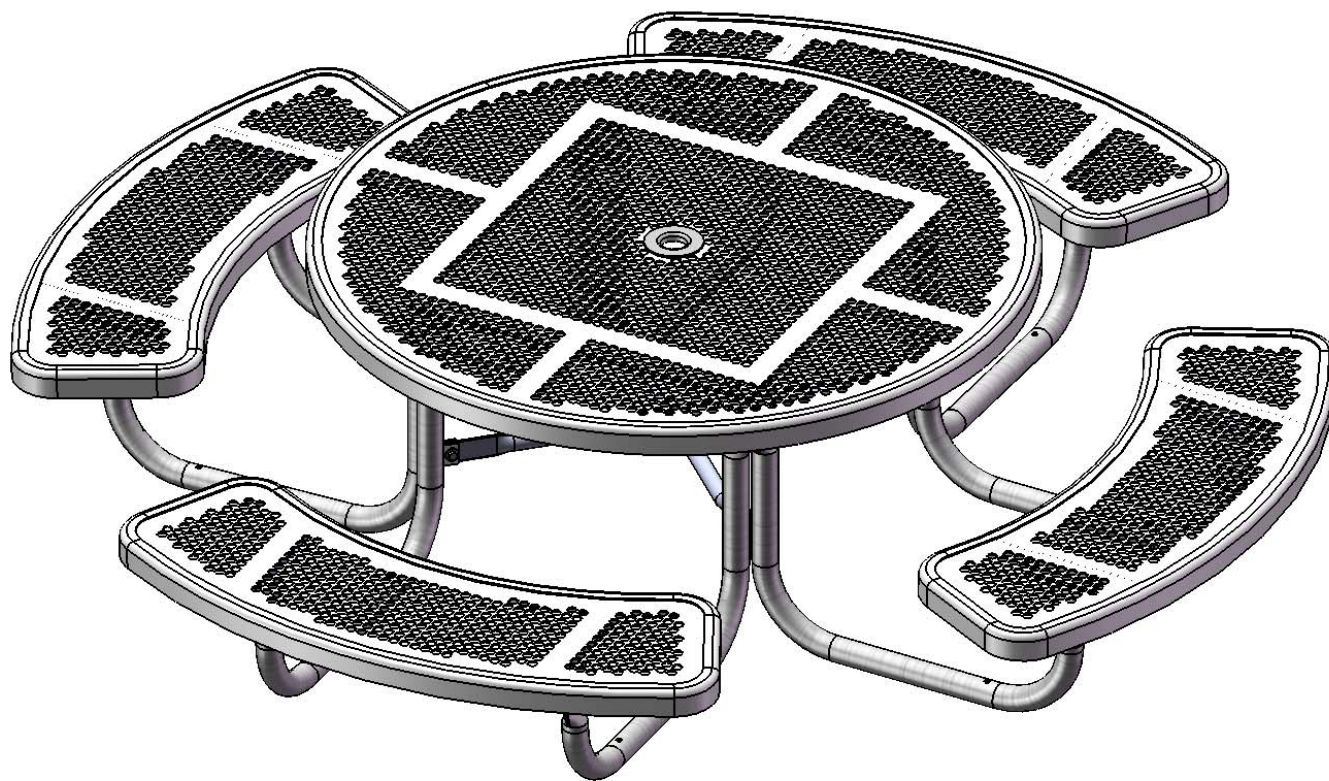


# Site Amenities

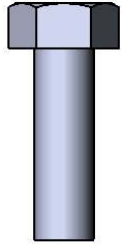
BY SUPERIOR RECREATIONAL PRODUCTS



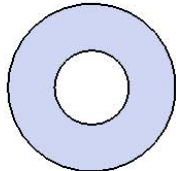
Model #  
T46RACSINNV-ELEM

**S** SUPERIOR<sup>®</sup>  
RECREATIONAL PRODUCTS  
A PLAYCORE Company

# HARDWARE



5/16" x 1"  
Machine Bolt



5/16" Washer



5/16" Kep Nut

# PRODUCT SPECIFICATIONS

## T46RACSINNV-ELEM 46" PORTABLE TABLE WITH 4 SEATS

Top & Seats: 11 gauge die formed angle frame 1"x1-7/8". Seat and top plates are fabricated from a 12ga plate. Holes are precision punched at 5/8" diameter. 7 gauge x 1-1/2" flat bar center support and mounting bracket understructure. Top is additionally supported to the corners with 7 gauge x 1-1/2" flat bar. Electrically MIG welded.

Coating: Oven fused functionalized polyethylene copolymer-based thermoplastic. Fluidized bed coating application with superior mechanical performance, impact resistance and UV-stability.

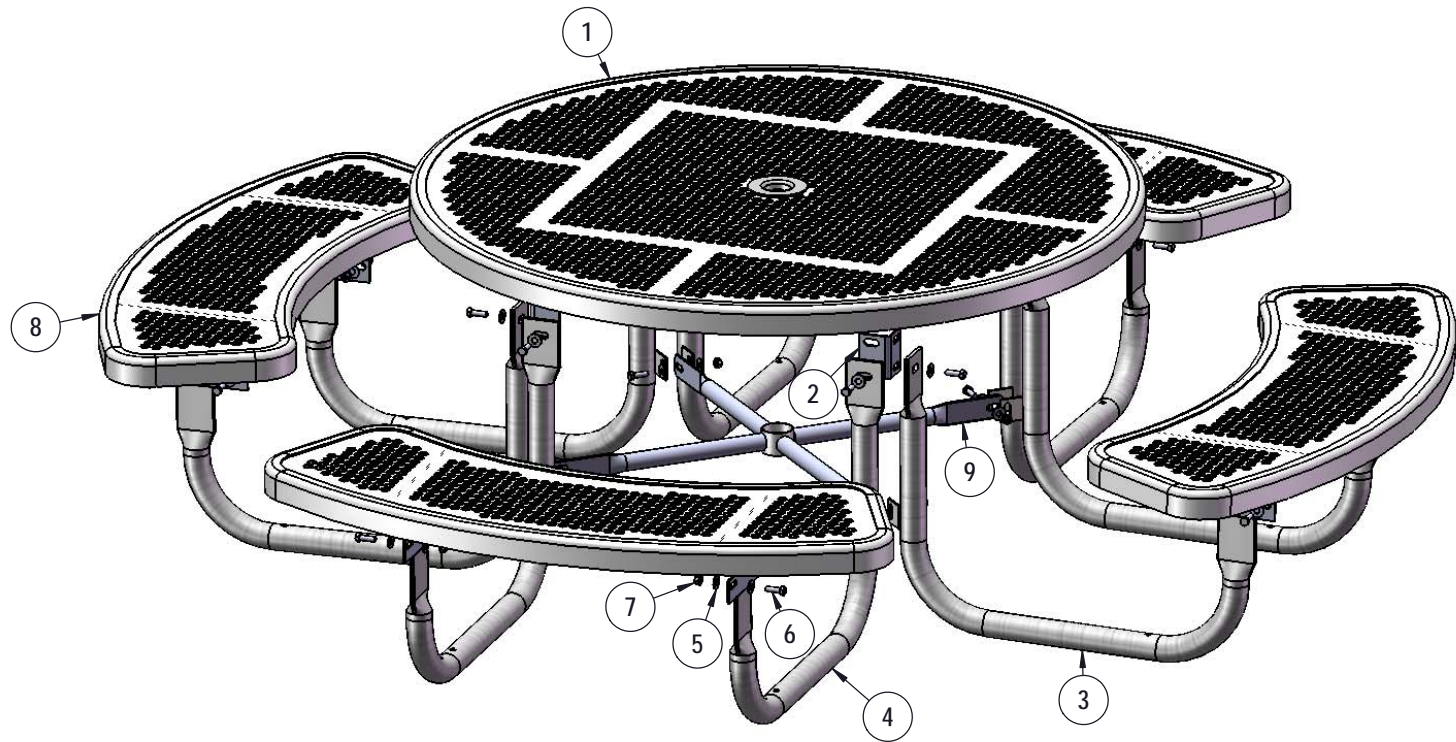
Frame: 1-5/8" O.D. x 14 gauge pre-galvanized structural steel tubing. Brace attachment points are 1-1/2"x2"x3/16" steel flat bar. Cross braces 1" O.D. x 16 gauge pre-galvanized structural steel tubing. Top is attached with 7 gauge 2"x2" die formed angle. Seat mounting points are 7 gauge x 1-1/2" die stamped steel flat bar. Legs are bent over a mandrel through the bend radius producing a wrinkle free bend. All electrically MIG welded.

Frame Coating: Electrostatic powder coated application oven cured.

Hardware: All stainless steel hardware fasteners.

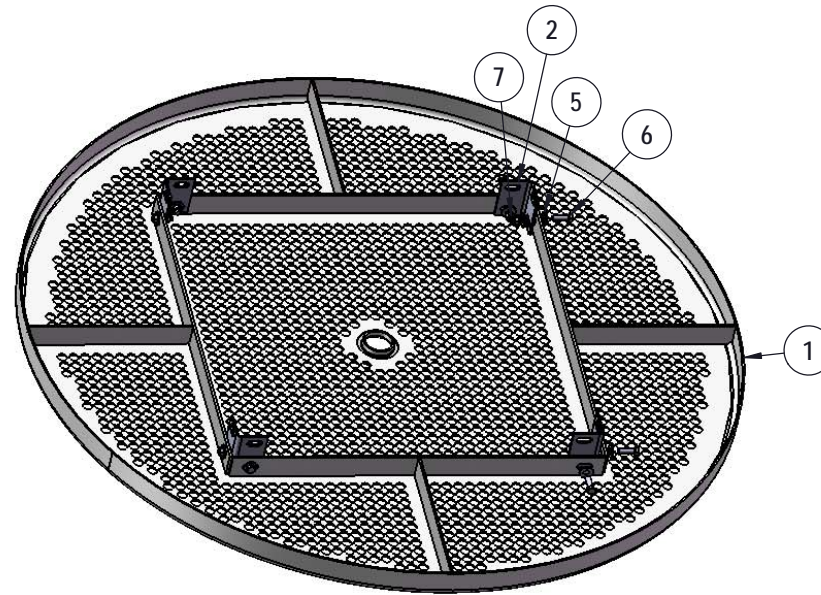
Dimensions: Top is 46" diameter x 20" high. Seats are 12" wide x 40-1/8" long x 12" high. Outside to outside dimensions of 4 seat table is 83"x 83".

# COMPONENTS



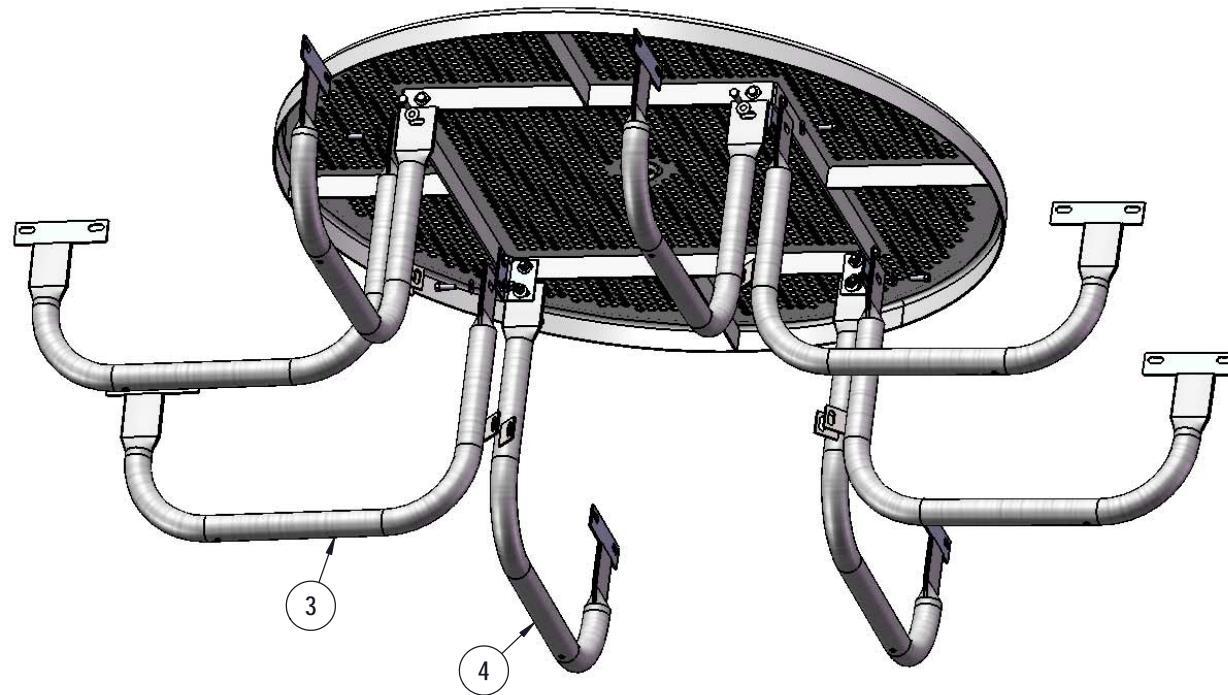
| ITEM NO. | PartNo       | DESCRIPTION                     | QTY |
|----------|--------------|---------------------------------|-----|
| 1        | T-P46RD-T    | 46" Round Punched Top           | 1   |
| 2        | P-01-04-0121 | 358 Extension Tab               | 4   |
| 3        | P-V358PS-L   | 358 Preschool Vinyl Leg L       | 4   |
| 4        | P-V358PS-R   | 358 Preschool Vinyl Leg R       | 4   |
| 5        | 33-02-0007   | 5/16" SS Washer                 | 72  |
| 6        | 33-05-0029   | 5/16" x 1" Machine Bolt (SS)    | 36  |
| 7        | 33-03-0012   | 5/16" Kep Nut (SS)              | 36  |
| 8        | T-P36RD-S    | 3' Punched Round Seat           | 4   |
| 9        | P-01-04-0122 | 358 Crossbrace w/ Umbrella Tube | 1   |

# STEP 1



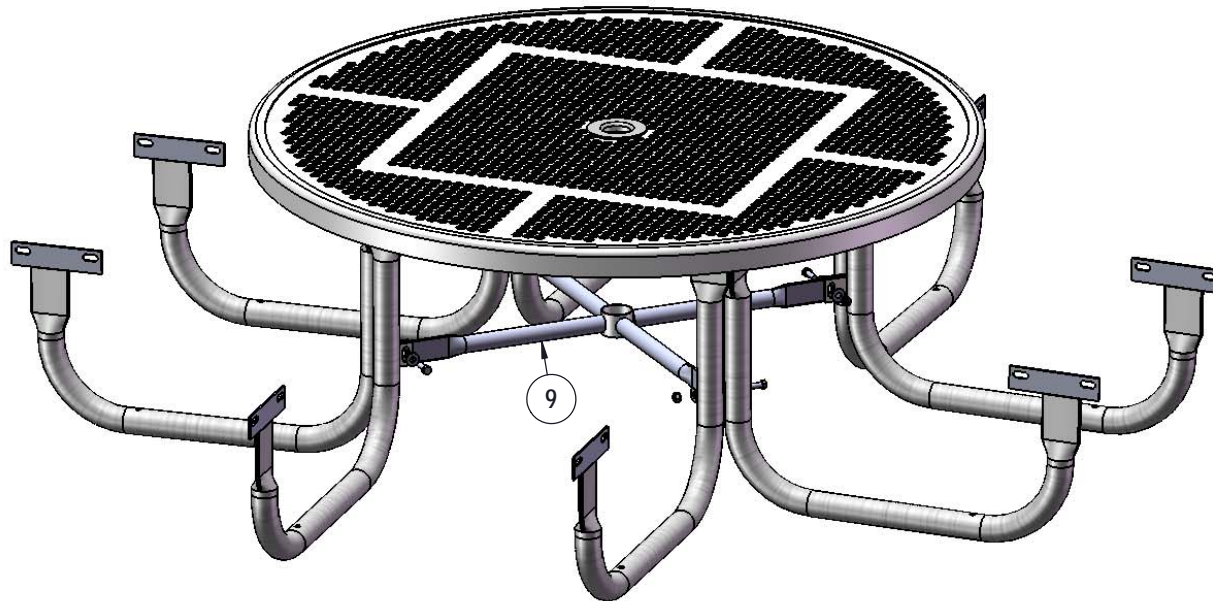
Attach the Extension Tabs to the 46" Round table top as shown using specified hardware.

## STEP 2



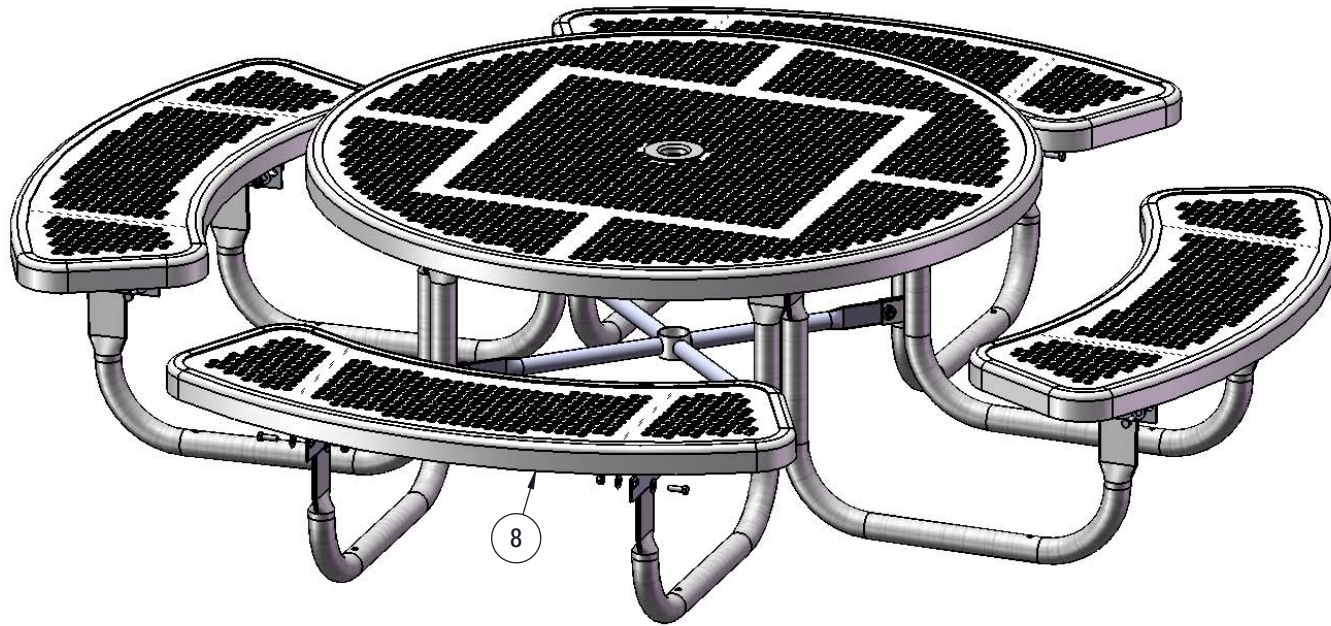
Attach the Preschool Legs to the Extension Tabs as shown using specified hardware.

## STEP 3



Attach the Cross Brace to the Preschool Legs as shown using specified hardware.

## STEP 4



Attach the 3' Round Seats to the Preschool Legs as shown using specified hardware.



# OVERALL DIMENSIONS

