

Site Amenities

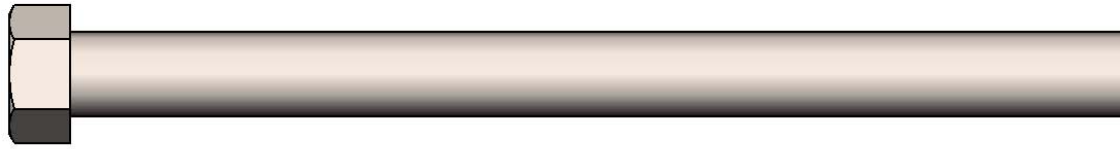
BY SUPERIOR RECREATIONAL PRODUCTS



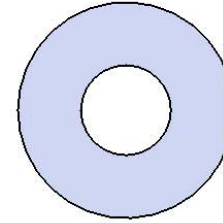
Model #
T46RACSPED-3S

S SUPERIOR[®]
RECREATIONAL PRODUCTS
A PLAYCORE Company

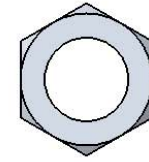
HARDWARE



7/16" x 5-1/2"
Machine Bolt



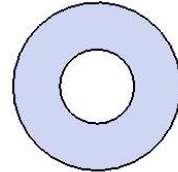
7/16" Washer



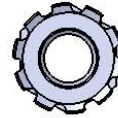
7/16" Hex Nut



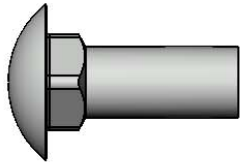
5/16" x 1"
Machine Bolt



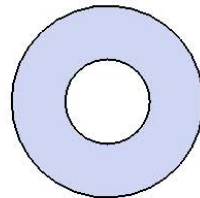
5/16" Washer



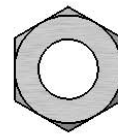
5/16" Kep Nut



3/8" x 1"
Carriage Bolt



3/8" Washer



3/8" Hex Nut

PRODUCT SPECIFICATIONS

T46RACSPED-3S 46" ROUND INGROUND TABLE WITH 3 SEATS

Top & Seats: 11 gauge die formed angle frame 1"x1-7/8" with 3" radius on the seat corners. 3/4" #9 steel expanded metal. 7 gauge x 1-1/2" flat bar center support and mounting bracket understructure. Top is additionally supported to the outer frame with 7 gauge x 1-1/2" flat bar. Electrically MIG welded.

Coating: Oven fused functionalized polyethylene copolymer-based thermoplastic. Fluidized bed coating application with superior mechanical performance, impact resistance and UV-stability.

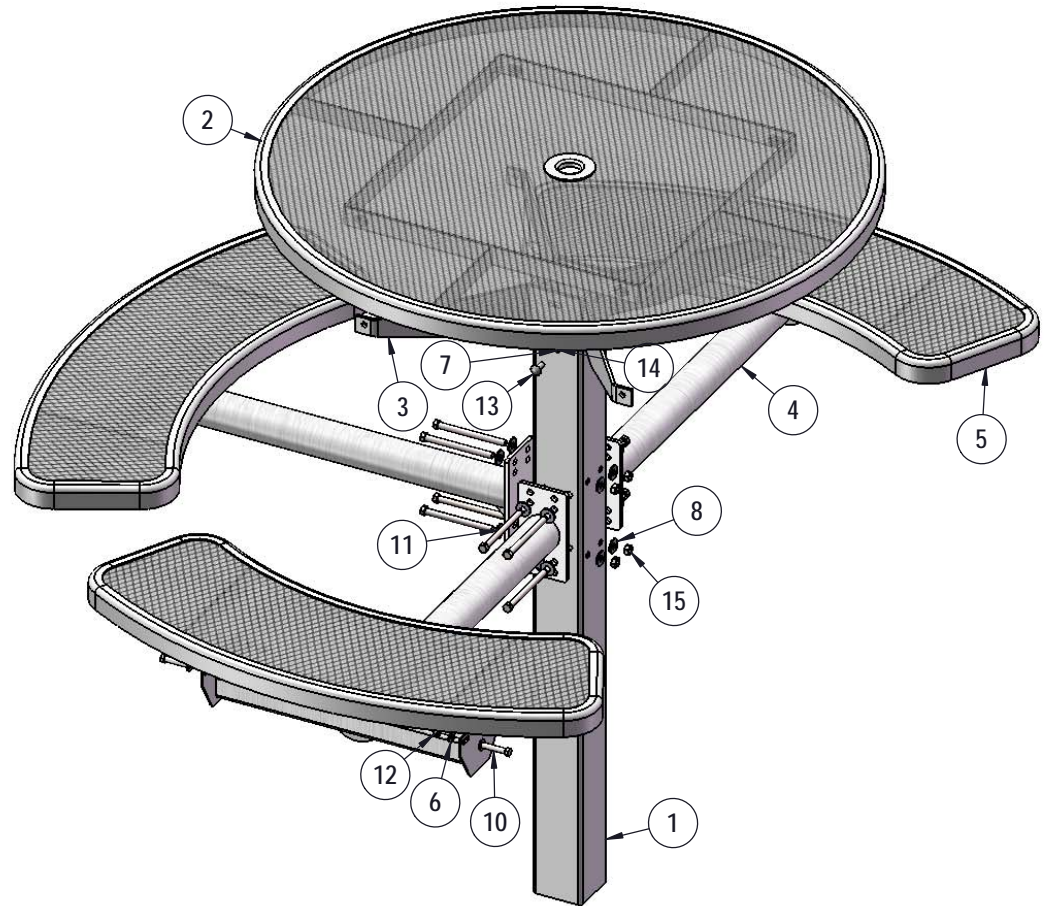
Frame: Main support column is 4"x4"x11 gauge pre-galvanized structural steel tubing. Arms are fabricated from 2-7/8" O.D. x 12 gauge pre-galvanized structural steel tubing welded to 1/4" precision punched plates for attachment to the main column and 2"x2"x3/16" structural steel angle for lateral seat support. Seat attachment points are 10 gauge precision punched tabs. Table top attachment structure is fabricated from 2"x2"x3/16" structural steel angle and top attachment points are 7 gauge x 1-1/2" steel flat bar. All electrically MIG welded.

Frame Coating: Electrostatic powder coated application oven cured.

Hardware: All stainless steel hardware fasteners.

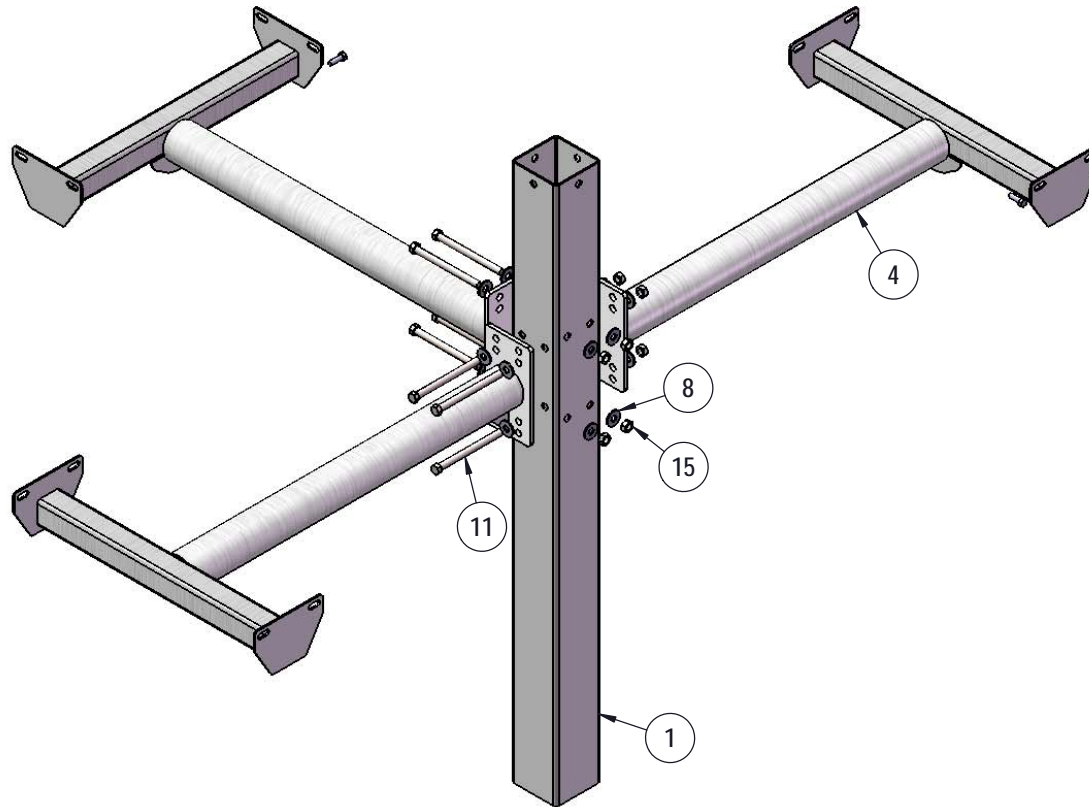
Dimensions: Top is 46" diameter x 30" high. Seats are 12" wide x 41-1/2" long x 18" high. Outside to outside dimensions of 3 seat table is 63-1/2" x 81".

COMPONENTS



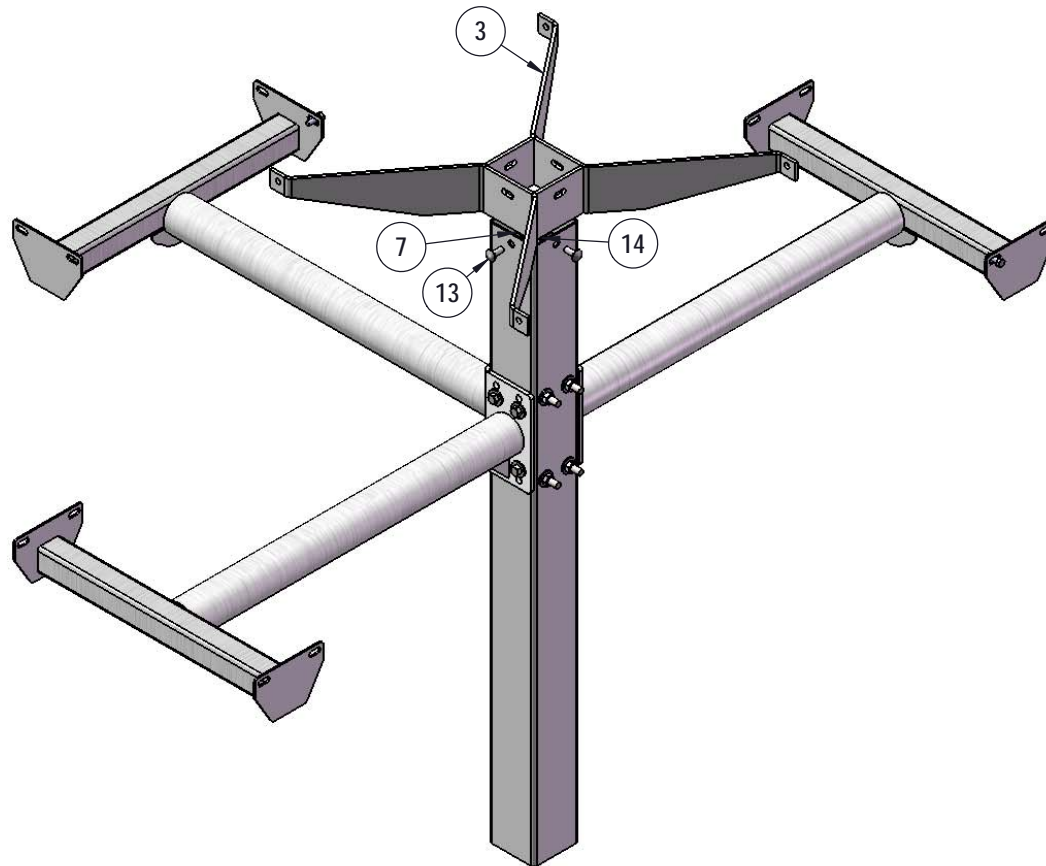
ITEM NO.	PartNo	DESCRIPTION	QTY
1	P-338S or G-338S	338 IG post asem	1
2	T-V46RD-T	46" Round Expanded Top	1
3	P-01-04-0150	H Bracket	1
4	P-V338-ARM	338 vinyl arm	3
5	T-V36RD-S	3' Expanded Round Seat	3
6	33-02-0007	5/16" SS Washer	32
7	33-02-0008	3/8" Flat Washer (SS)	4
8	33-02-0004	7/16" SS Washer	16
9	33-05-0029	5/16" x 1" Machine Bolt (SS)	10
10		3/8" x 2" Machine Bolt (SS)	5
11	33-06-0050	7/16" x 5-1/2" Machine Bolt	8
12	33-03-0012	5/16" Kep Nut (SS)	16
13	33-06-0042	3/8" x 1" Carriage Bolt (SS)	4
14	33-01-0018	3/8" Hex Nut (SS)	4
15	33-01-0006	7/16" Hex Nut (SS)	8

STEP 1



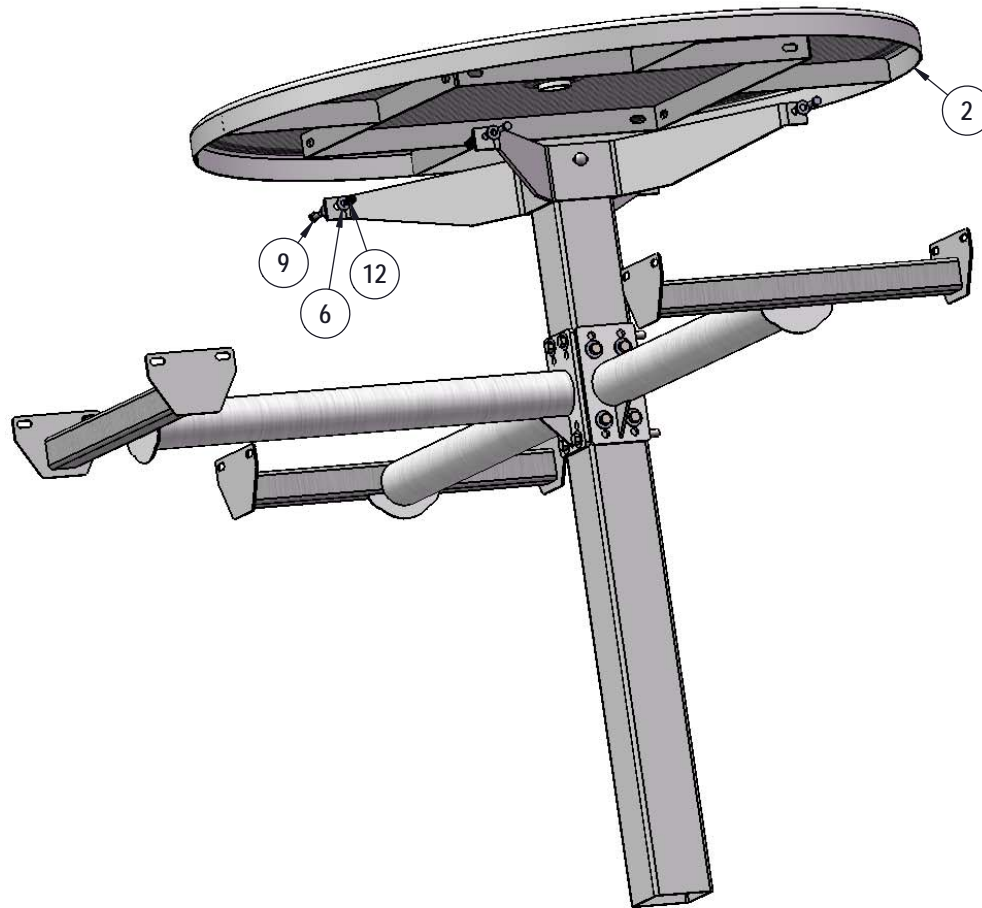
Attach the Arms to the 338 Post using specified hardware.

STEP 2



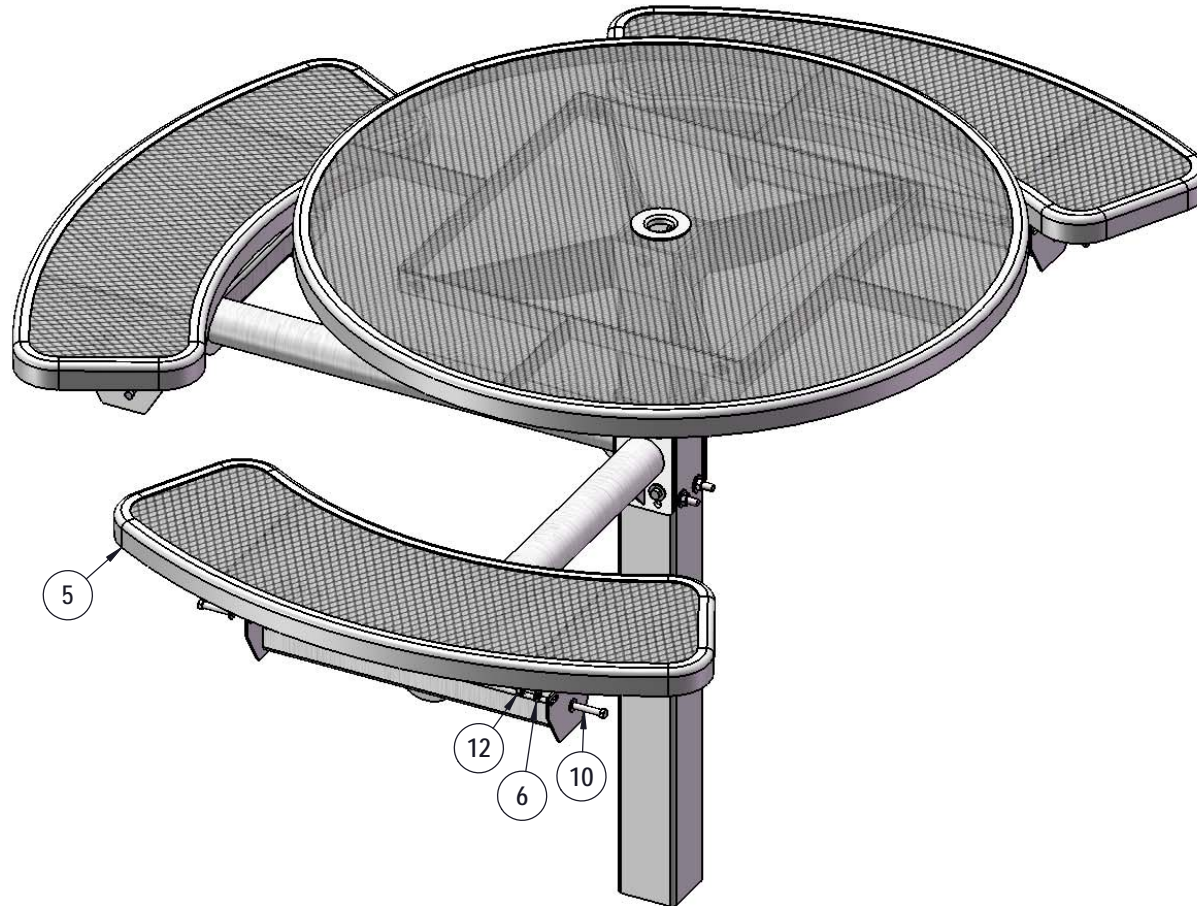
Attach the H Bracket to the Post using specified hardware.

STEP 3



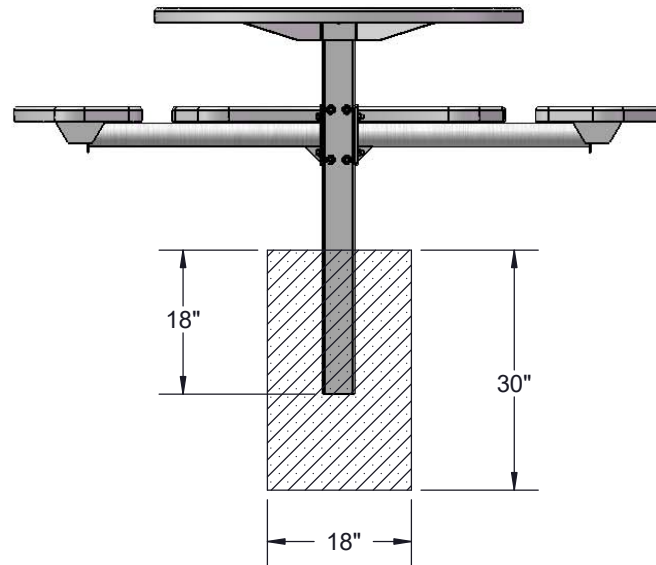
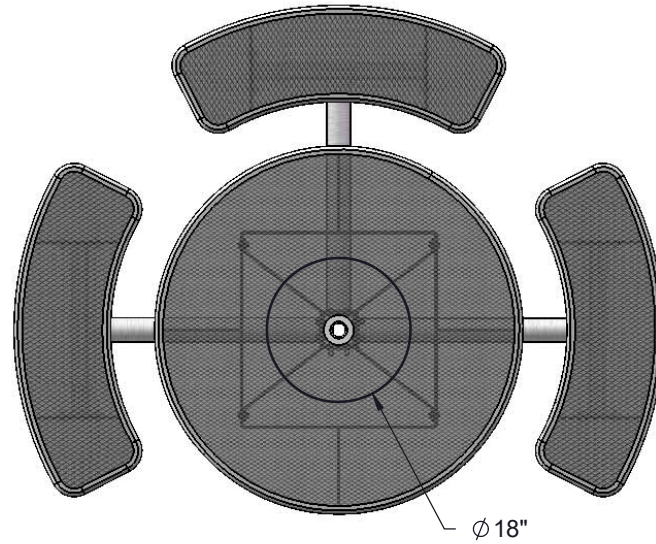
Attach the 46" Round Top to the H Bracket using specified hardware.

STEP 4



Attach the 3' Round Seats to the Arms using specified hardware.

FOOTINGS



Estimated Required Concrete:
12 - 50 lb Bags of Concrete

OVERALL DIMENSIONS

