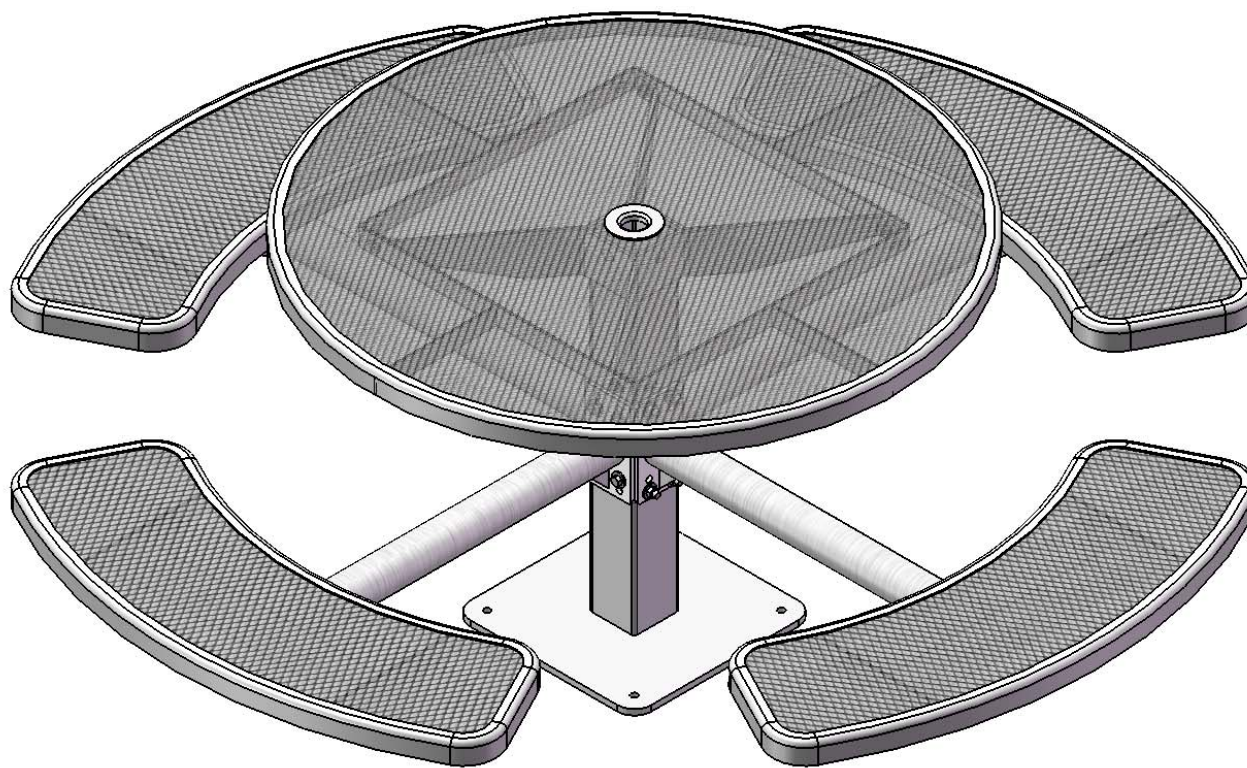


# Site Amenities

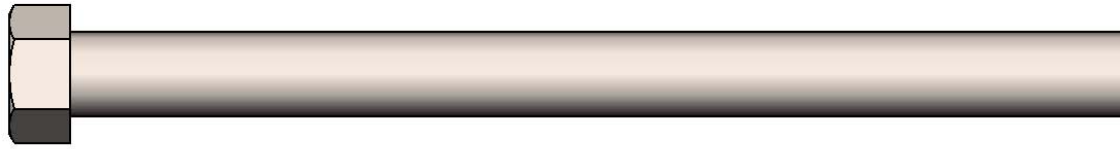
BY SUPERIOR RECREATIONAL PRODUCTS



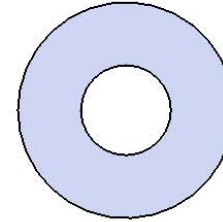
Model #  
T46RACSPEDSM

**S** SUPERIOR<sup>®</sup>  
RECREATIONAL PRODUCTS  
A PLAYCORE Company

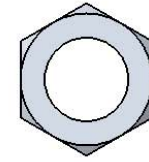
# HARDWARE



7/16" x 5-1/2"  
Machine Bolt



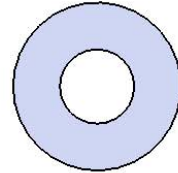
7/16" Washer



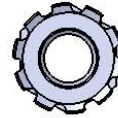
7/16" Hex Nut



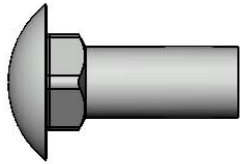
5/16" x 1"  
Machine Bolt



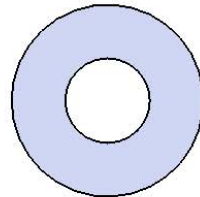
5/16" Washer



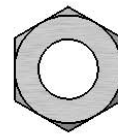
5/16" Kep Nut



3/8" x 1"  
Carriage Bolt



3/8" Washer



3/8" Hex Nut

# PRODUCT SPECIFICATIONS

## **T46RACSPEDSM 46" ROUND SURFACE MOUNT TABLE WITH 4 SEATS**

**Top & Seats:** 11 gauge die formed angle frame 1"x1-7/8" with 3" radius on the seat corners. 3/4" #9 steel expanded metal. The understructure/attachment plates are fabricated from 7 gauge x 1-1/2" flat bar. Top is additionally supported to the outer frame with 7 gauge x 1-1/2" flat bar. All electrically MIG welded.

**Coating:** Oven fused functionalized polyethylene copolymer-based thermoplastic. Fluidized bed coating application with superior mechanical performance, impact resistance and UV-stability.

**Frame:** Main support column is 4"x4"x11 gauge pre-galvanized structural steel tubing. Arms are fabricated from 2-7/8" O.D. x 12 gauge pre-galvanized structural steel tubing welded to 1/4" precision punched plates for attachment to the main column and 2"x2"x3/16" structural steel angle for lateral seat support. Seat attachment points are 10 gauge precision punched tabs. Table top attachment structure is fabricated from 2"x2"x3/16" structural steel angle and top attachment points are 7 gauge x 1-1/2" steel flat bar. 16" x 16" x 1/2" surface mount plate attached to main support column. All electrically MIG welded.

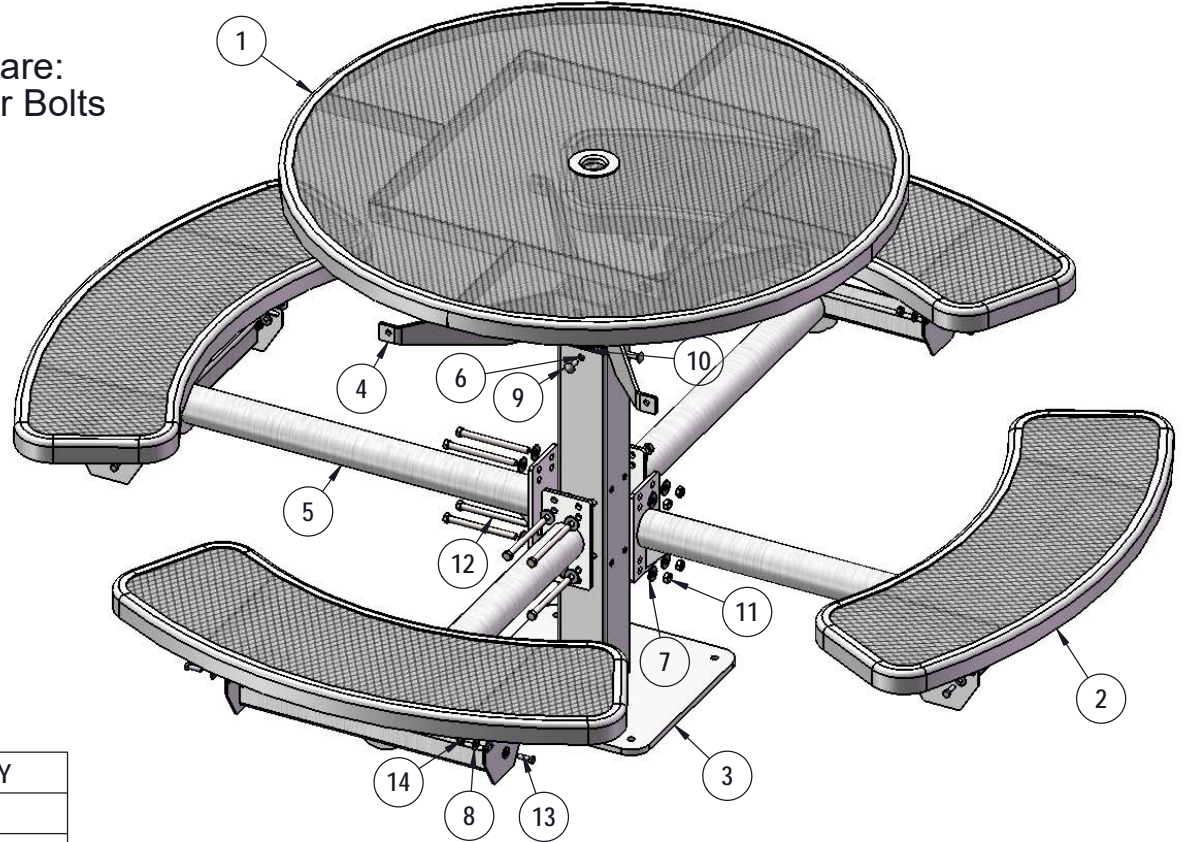
**Frame Coating:** Electrostatic powder coated application oven cured.

**Hardware:** All stainless steel hardware fasteners.

**Dimensions:** Top is 46" diameter x 30-1/4" high. Seats are 12" wide x 41-1/2" long x 18" high. Outside to outside dimensions of 4 seat table is 81" square.

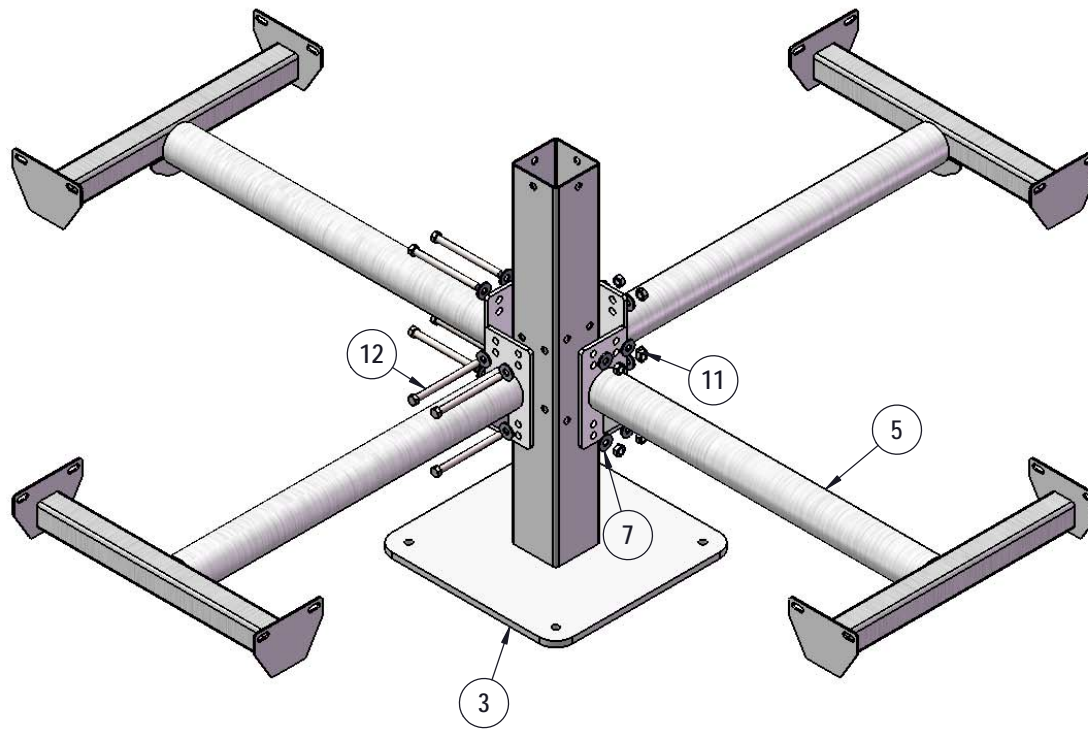
# COMPONENTS

Recommended Surface Mount Hardware:  
3/8" x 3-1/2" Concrete Expansion Anchor Bolts  
(Not Included)



ITEM NO.	PartNo	DESCRIPTION	QTY
1	T-V46RD-T	46" Round Expanded Top	1
2	T-V36RD-S	3' Expanded Round Seat	4
3	P-338SM	338 SM post asem	1
4	P-01-04-0150	H Bracket	1
5	P-V338-ARM	338 vinyl arm	4
6	33-02-0008	3/8" Flat Washer (SS)	4
7	33-02-0004	7/16" SS Washer	16
8	33-02-0007	5/16" SS Washer	40
9	33-06-0042	3/8" x 1" Carriage Bolt (SS)	4
10	33-01-0018	3/8" Hex Nut (SS)	4
11	33-01-0006	7/16" Hex Nut (SS)	8
12	33-06-0050	7/16" x 5-1/2" Machine Bolt	8
13	33-05-0029	5/16" x 1" Machine Bolt (SS)	20
14	33-03-0012	5/16" Kep Nut (SS)	20

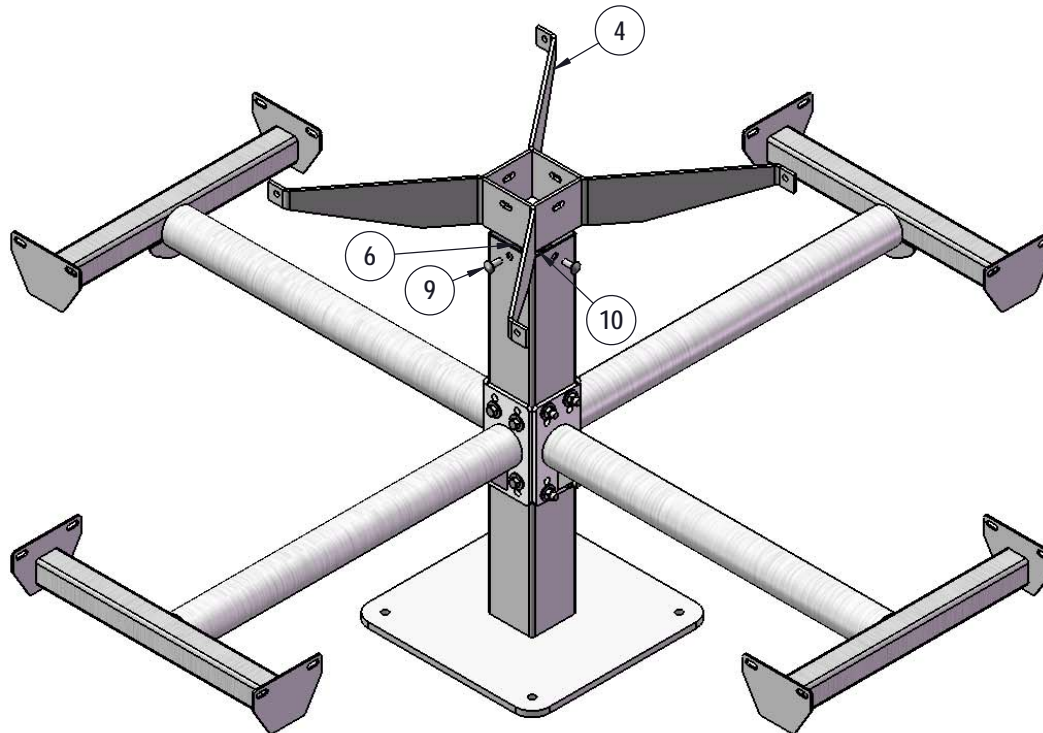
# STEP 1



Attach the Vinyl Arms to the Post using specified hardware.

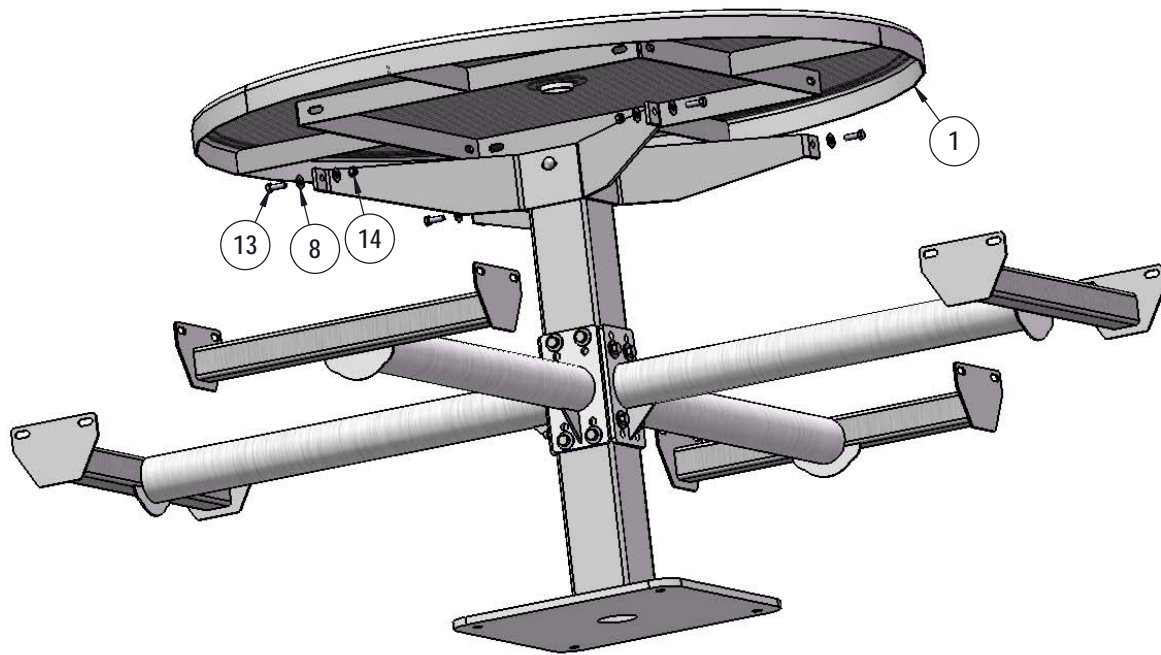


## STEP 2



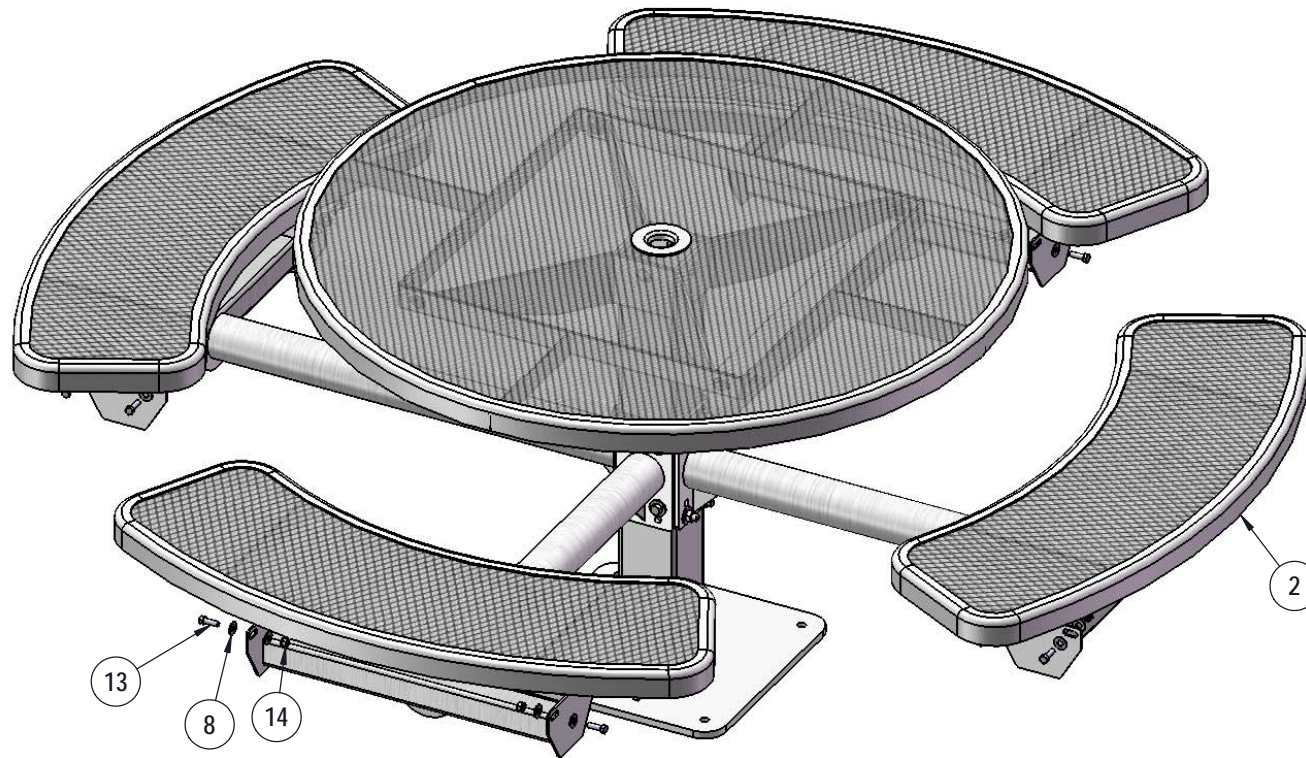
Attach the H Bracket to the Post using specified hardware.

## STEP 3



Attach the 46" Round Top to the H Bracket using specified hardware.

## STEP 4



Attach the 3' Round Seats to the Vinyl Arms using specified hardware.



# OVERALL DIMENSIONS

