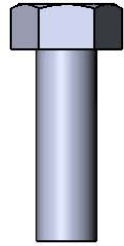
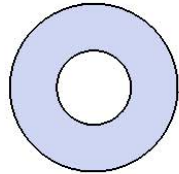


Model # T46RC

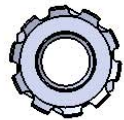
HARDWARE



5/16" x 1"
Machine Bolt



5/16" Washer



5/16" Kep Nut

PRODUCT SPECIFICATIONS

T46RC 46" PORTABLE TABLE WITH 4 SEATS

Top & Seats: 11 gauge die formed angle frame 1"x1-7/8". 3/4" #9 steel expanded metal. 10 gauge x 1-1/2" flat bar center support and mounting bracket understructure. Top is additionally supported to the corners with 10 gauge x 1-1/2" flat bar. Electrically MIG welded.

Coating: Oven fused functionalized polyethylene copolymer-based thermoplastic. Fluidized bed coating application with superior mechanical performance, impact resistance and UV-stability.

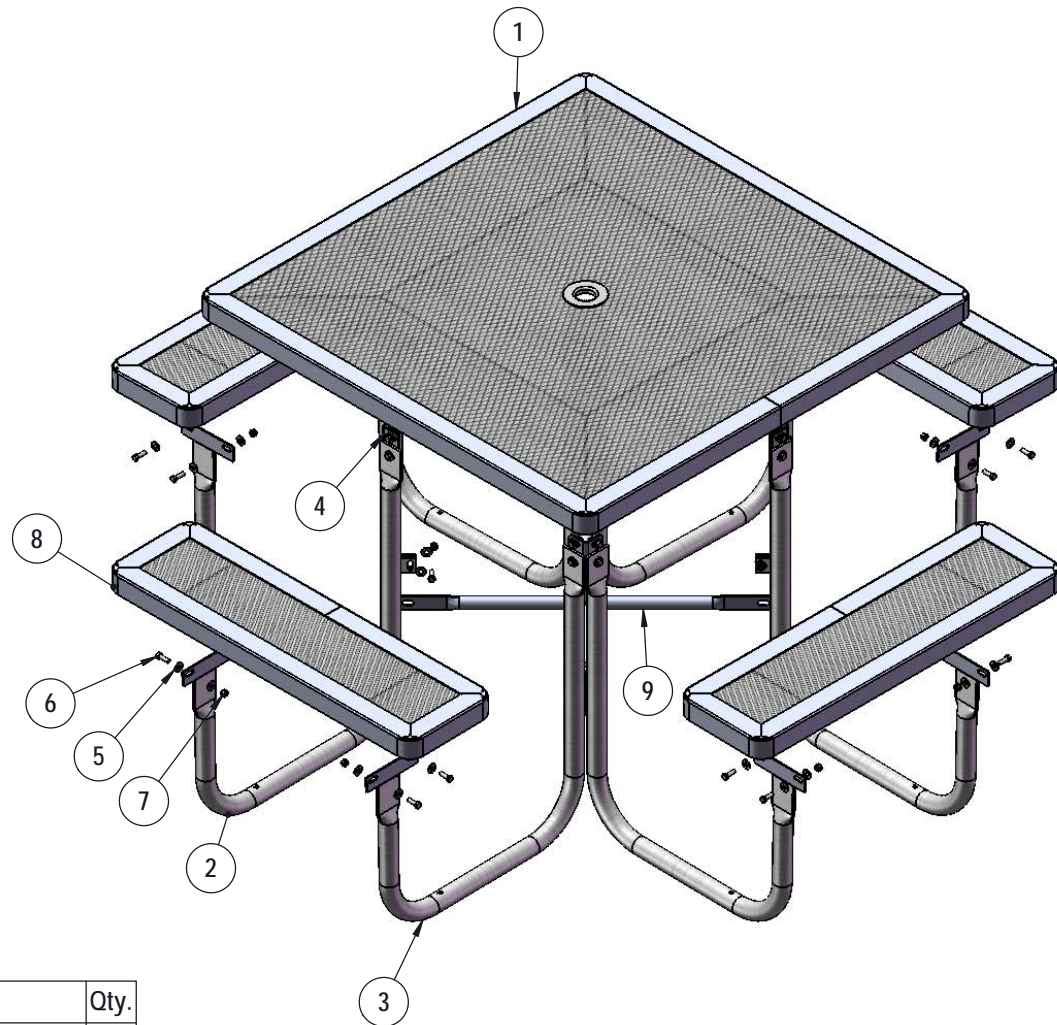
Frame: 1-5/8" O.D. x 14 gauge pre-galvanized structural steel tubing. Brace attachment points are 1-1/2"x2"x3/16" steel flat bar. Cross braces 1" O.D. x 16 gauge pre-galvanized structural steel tubing. Top is attached with 7 gauge 2"x2" die formed angle. Seat mounting points are 7 gauge x 1-1/2" die stamped steel flat bar. Legs are bent over a mandrel through the bend radius producing a wrinkle free bend. Holes are predrilled in legs for optional surface mounting. All electrically MIG welded.

Frame Coating: Electrostatic powder coated application oven cured.

Hardware: All stainless steel hardware fasteners.

Dimensions: Top is 46" square x 30-7/16" high. Seats are 10" wide x 36" long x 18-5/16" high. Outside to outside dimensions of 4 seat table is 77-3/8" x 77-5/16". 225 lbs

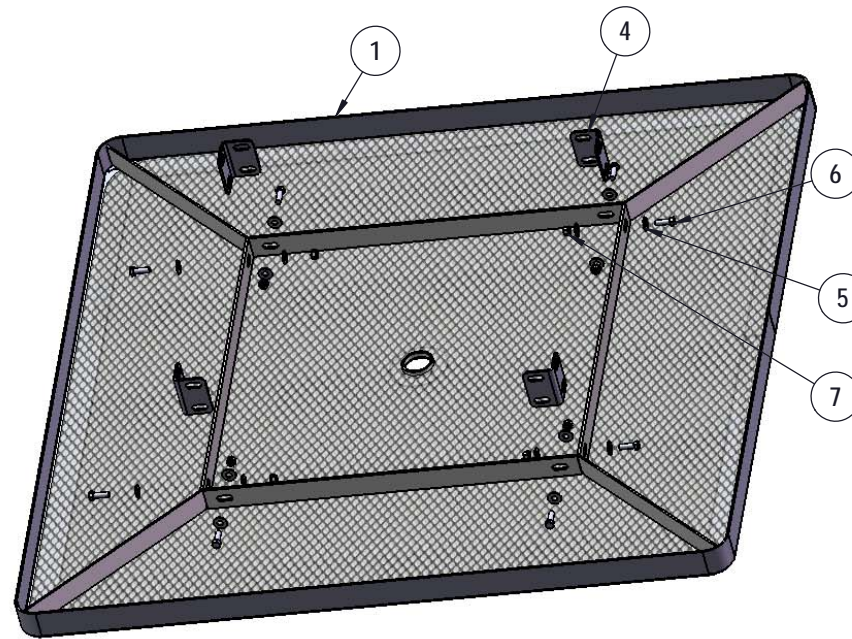
COMPONENTS



ITEM NO.	PartNo	DESCRIPTION	Qty.
1	RC46-T	46" square regal expanded top	1
2	P-V358-L	358 Vinyl Leg L	4
3	P-V358-R	358 Vinyl Leg R	4
4	P-01-04-0121	358 Extension Tab	4
5	33-02-0007	5/16" SS Washer	72
6	33-05-0029	5/16" x 1" Machine Bolt (SS)	36
7	33-03-0012	5/16" Kep Nut (SS)	36
8	RC36-S	3' long x 10" wide regal expanded seat	4
9	P-01-04-0122	358 Crossbrace w/ Umbrella Tube	1

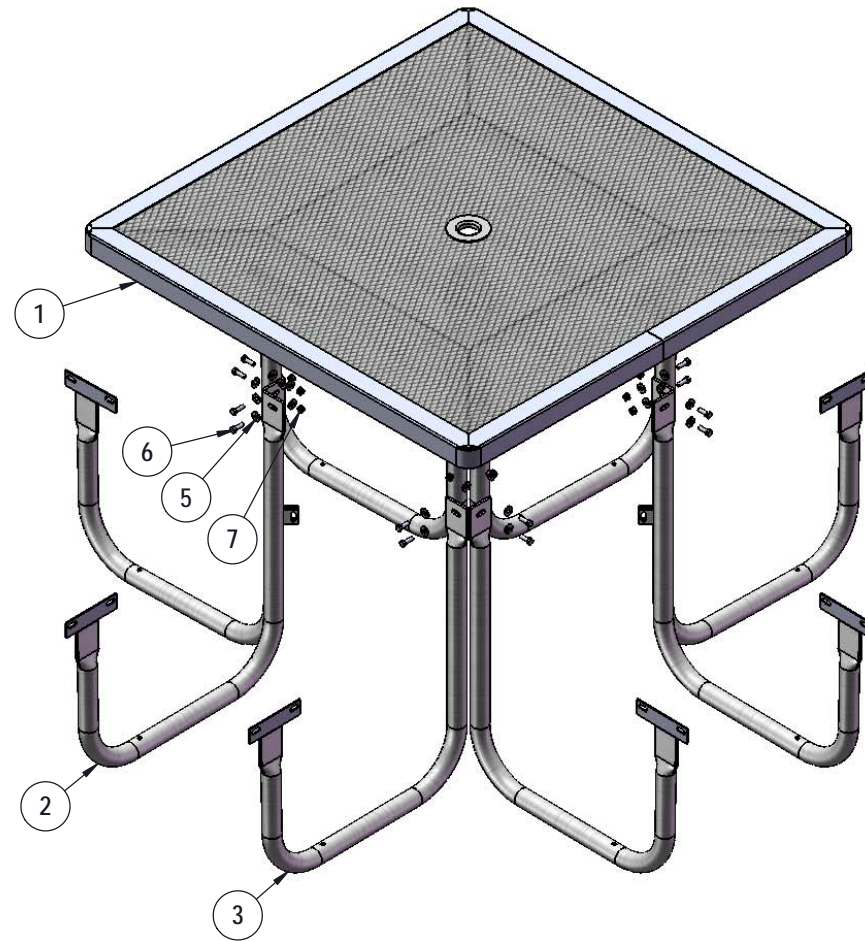
Superior[®]
 RECREATIONAL PRODUCTS
A PLAYCORE Company

STEP 1



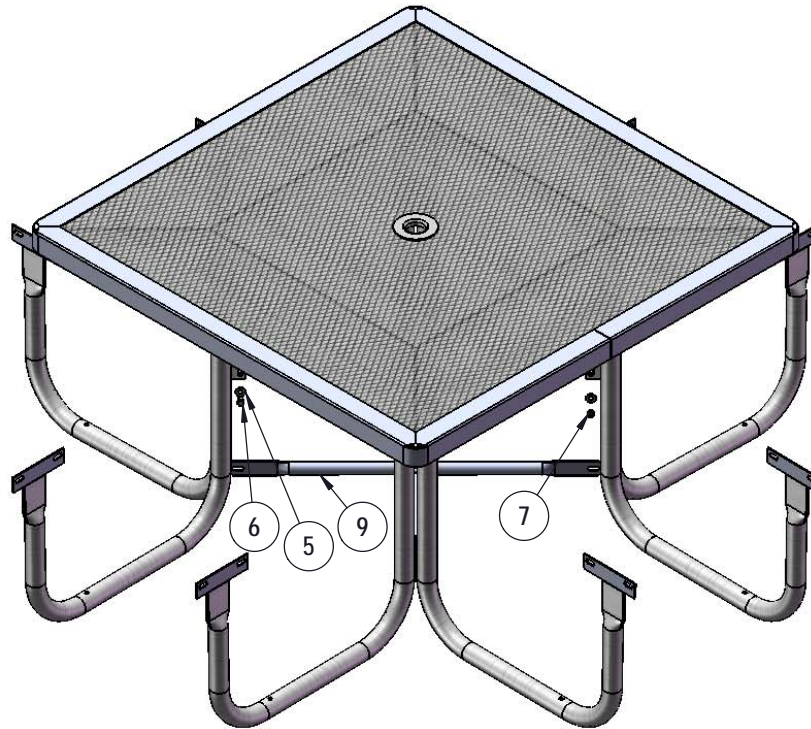
Attach the Extension Tabs to the 46" Square Top using specified hardware.

STEP 2



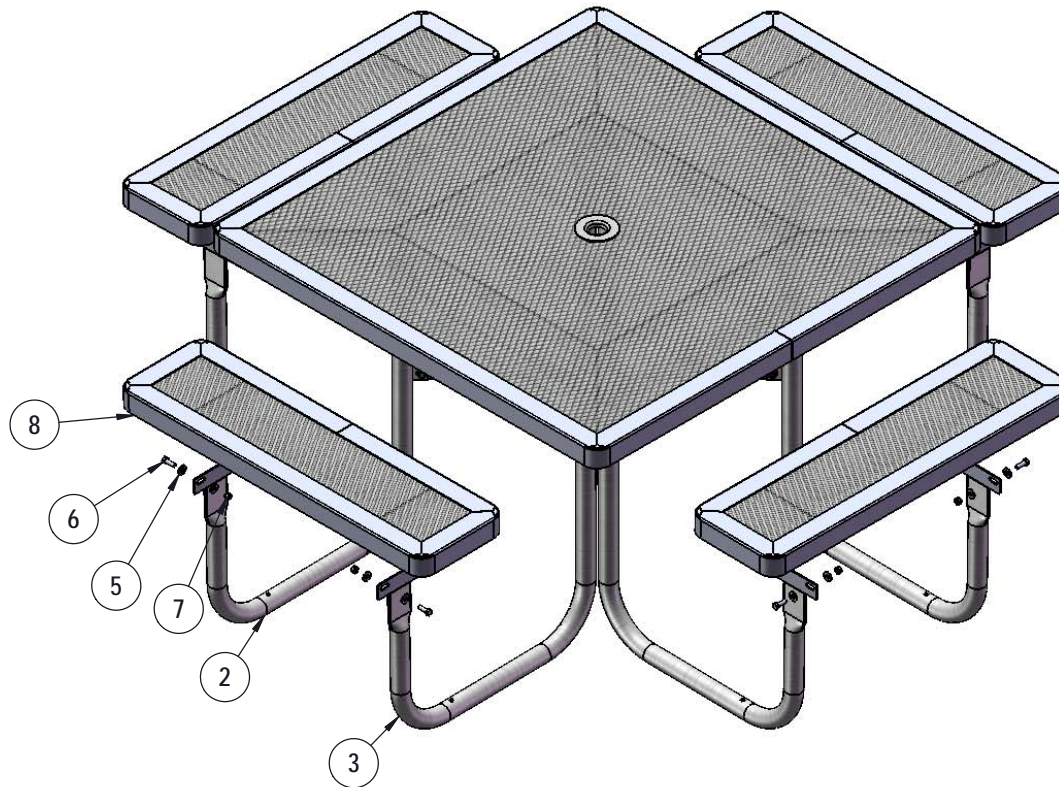
Attach the Legs to the outside of the Extension Tabs using specified hardware.

STEP 3



Attach the Crossbrace between the table legs as shown using specified hardware.

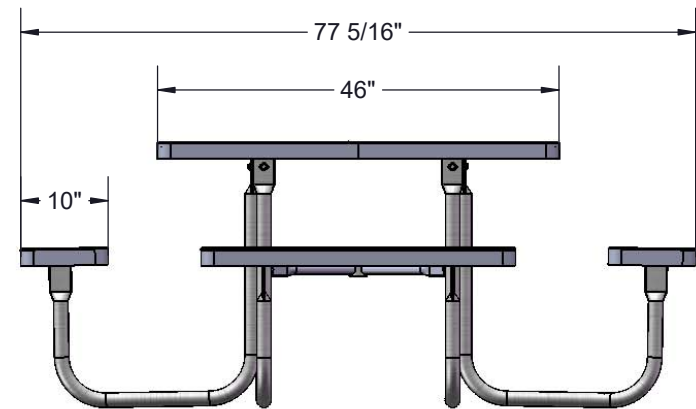
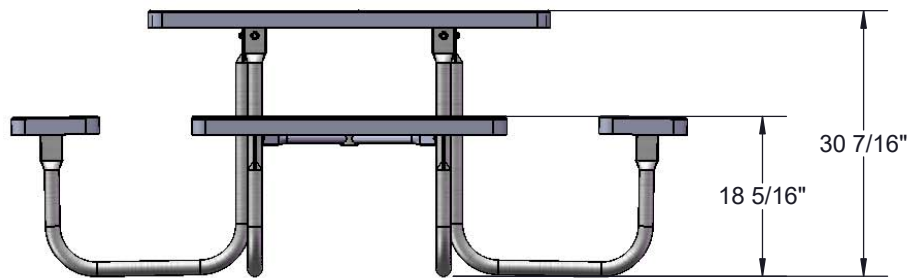
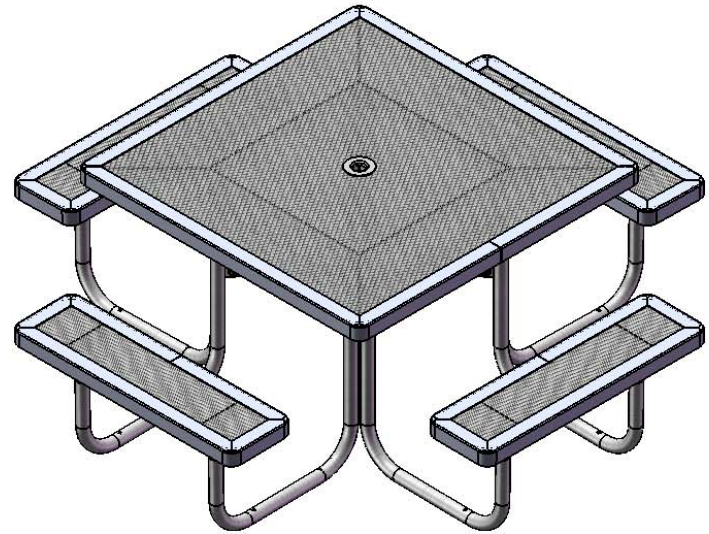
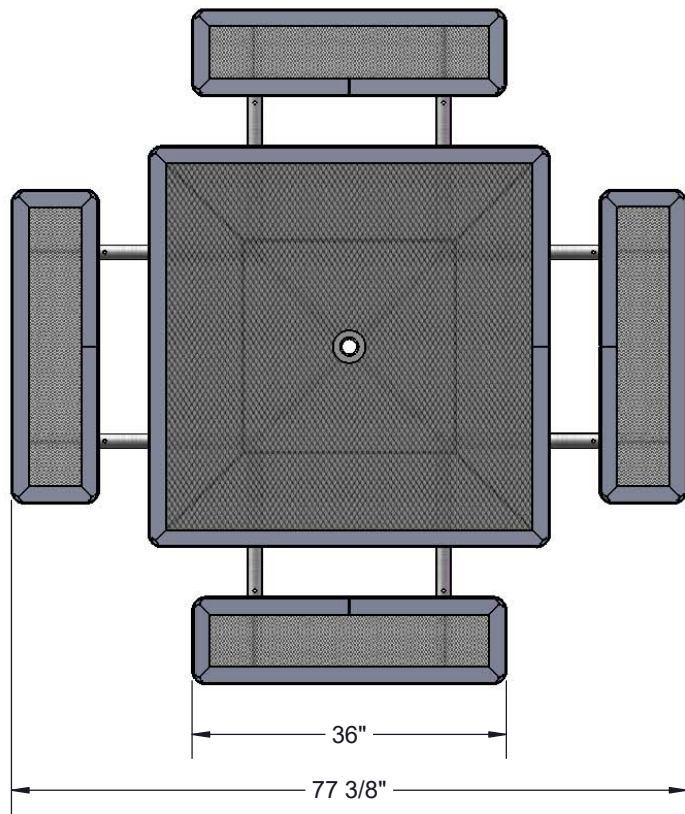
STEP 4



Attach the 3' Seats to the Legs using specified hardware.

Superior[®]
RECREATIONAL PRODUCTS
A PLAYCORE Company

OVERALL DIMENSIONS



Superior[®]
RECREATIONAL PRODUCTS
A PLAYCORE Company