

# Site Amenities

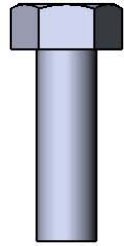
BY SUPERIOR RECREATIONAL PRODUCTS



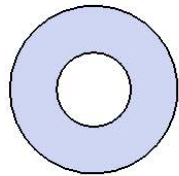
Model #  
T46ULRACS-3

 **SUPERIOR**<sup>®</sup>  
RECREATIONAL PRODUCTS  
A **PLAYCORE** Company

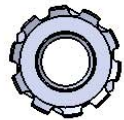
# HARDWARE



5/16" x 1"  
Machine Bolt



5/16" Washer



5/16" Kep Nut

## PRODUCT SPECIFICATIONS

### **358H-RDEV 46" ROUND ACCESSIBLE PORTABLE TABLE WITH 3 SEATS**

Top & Seats: 11 gauge die formed angle frame 1"x1-7/8" with 3" radius on the seat corners. 3/4" #9 steel expanded metal. The understructure/attachment plates are fabricated from 10 gauge x 1-1/2" flat bar. Top is additionally supported to the outer frame with 10 gauge x 1-1/2" flat bar. Electrically MIG welded.

Coating: Oven fused functionalized polyethylene copolymer-based thermoplastic. Fluidized bed coating application with superior mechanical performance, impact resistance and UV-stability.

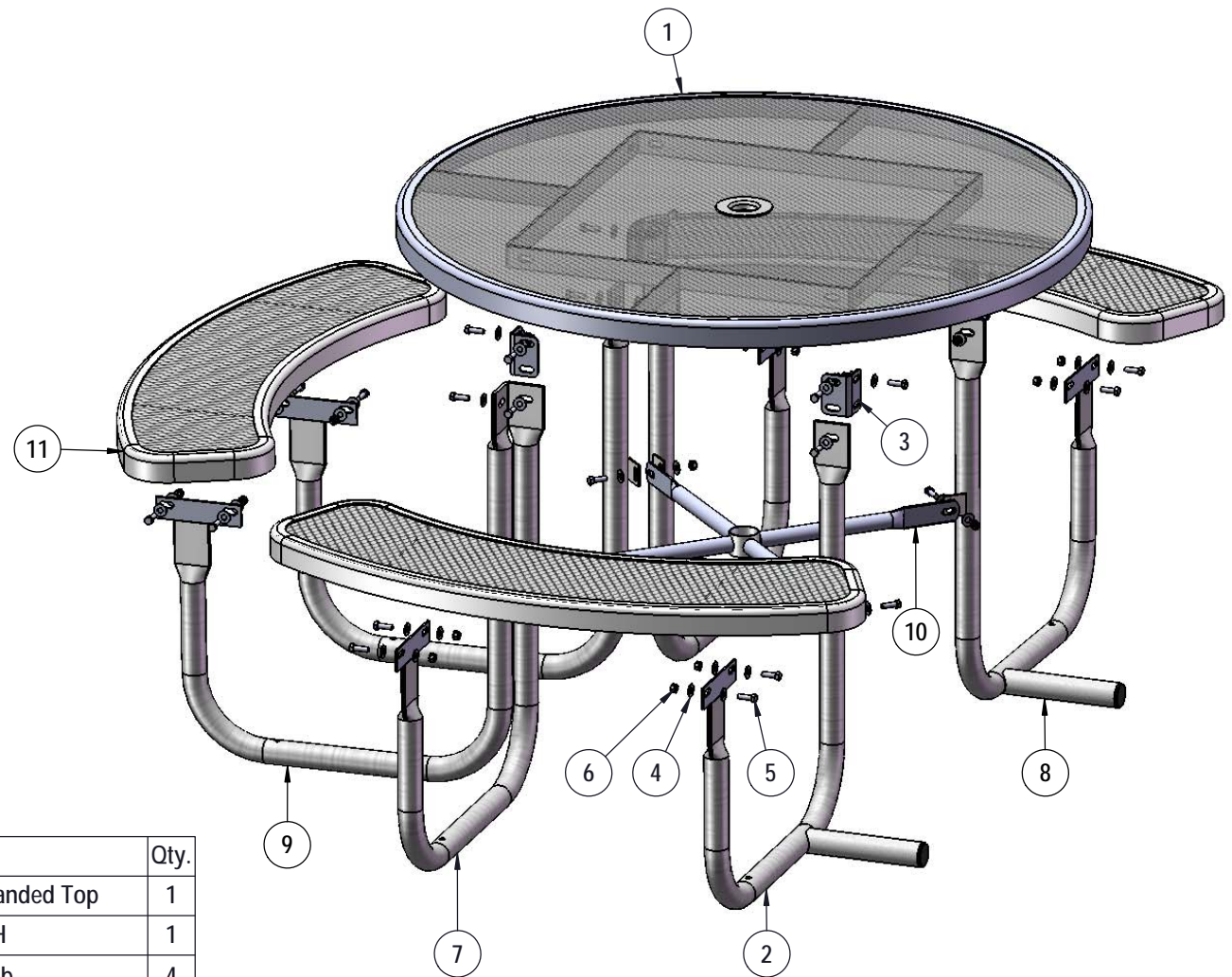
Frame: 1-5/8" O.D. x 14 gauge pre-galvanized structural steel tubing. Brace attachment points are 1-1/2"x2"x3/16" steel flat bar. Cross braces 1" O.D. x 16 gauge pre-galvanized structural steel tubing. Top is attached with 7 gauge 2"x2" die formed angle. Seat mounting points are 7 gauge x 1-1/2" die stamped steel flat bar. Legs are bent over a mandrel through the bend radius producing a wrinkle free bend. All electrically MIG welded.

Frame Coating: Electrostatic powder coated application oven cured.

Hardware: All stainless steel hardware fasteners.

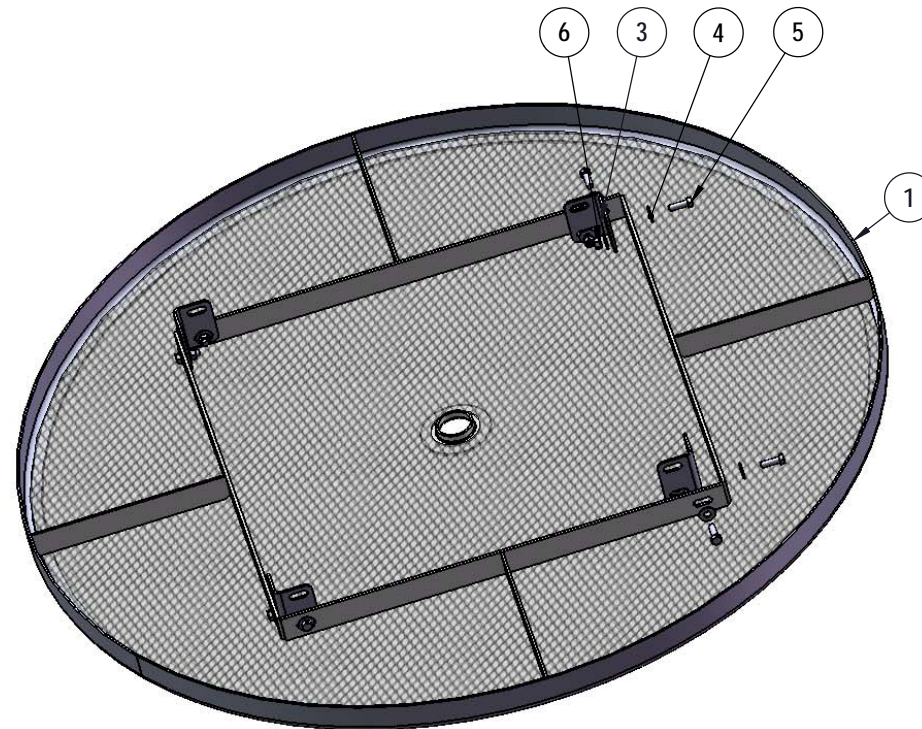
Dimensions: Top is 46" round x 30-1/8" high. Seats are 10" wide x 41-5/8" long x 18-1/4" high. Outside to outside dimensions of 3 seat table is 81-3/16" x 61-5/16".

# COMPONENTS



ITEM NO.	PartNo	DESCRIPTION	Qty.
1	T-EV46RD-T	46" Round Economy Expanded Top	1
2	P-01-04-0441	358 Vinyl Leg RH	1
3	P-01-04-0121	358 Extension Tab	4
4	33-02-0007	5/16" SS Washer	60
5	33-05-0029	5/16" x 1" Machine Bolt (SS)	30
6	33-03-0012	5/16" Keps Nut (SS)	30
7	P-V358-L	358 Vinyl Leg L	2
8	P-01-04-0440	358 Vinyl Leg LH	1
9	P-V358-R	358 Vinyl Leg R	2
10	P-01-04-0122	358 Crossbrace w/ Umbrella Tube	1
11	T-EV36RD-S	3' Expanded Economy Round Seat	3

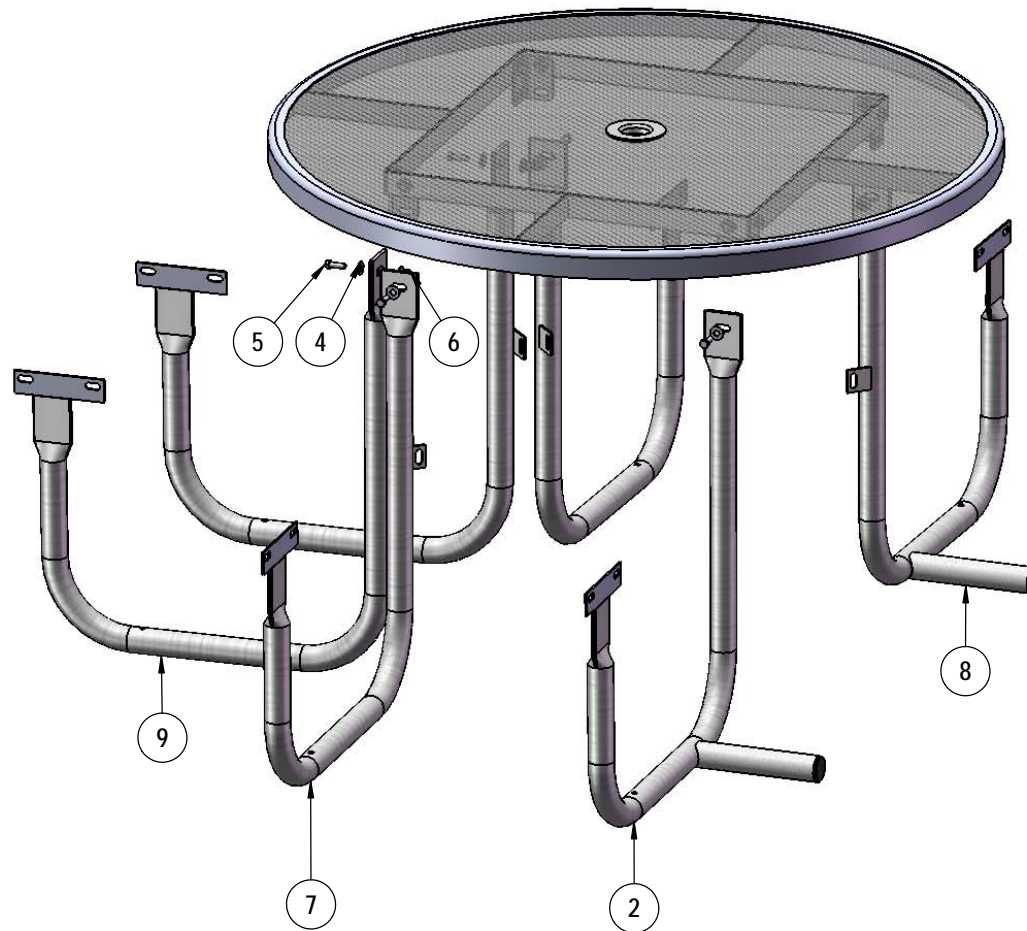
## STEP 1



Attach the Extension Tabs to the 46" Round Top using specified hardware.

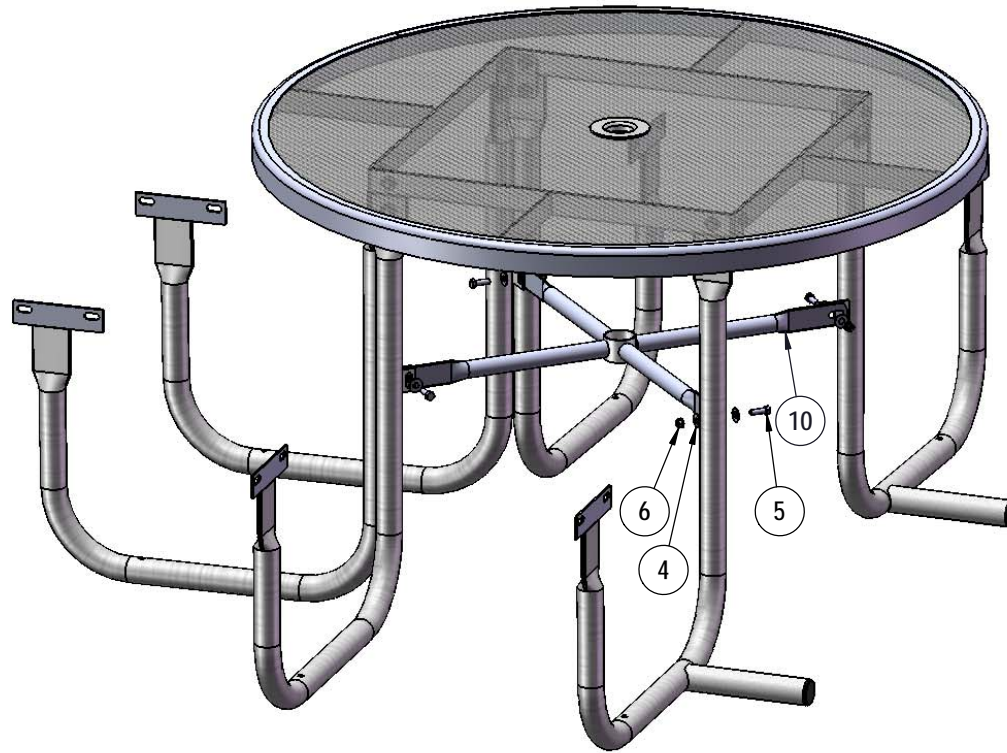


## STEP 2



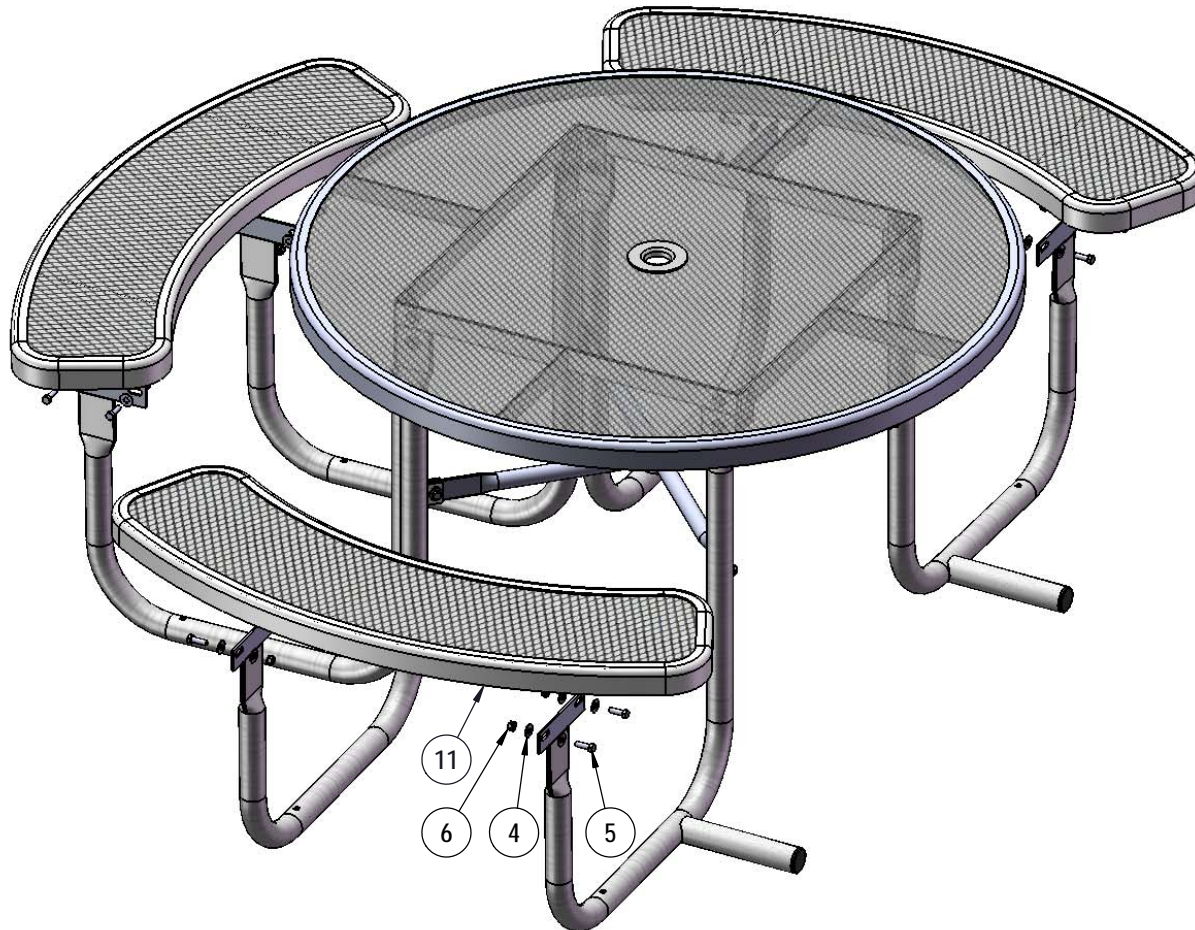
Attach the 358 Legs to the outside of the Extension Tabs using specified hardware.

## STEP 3



Attach the Crossbrace between the table legs as shown using specified hardware.

## STEP 4



Attach the 3' Seats to the 358 Legs using specified hardware.



# OVERALL DIMENSIONS

