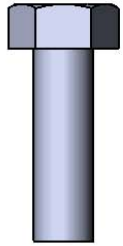
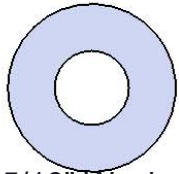


Model # T46WEB-3SADA

# HARDWARE



5/16" x 1"  
Machine Bolt

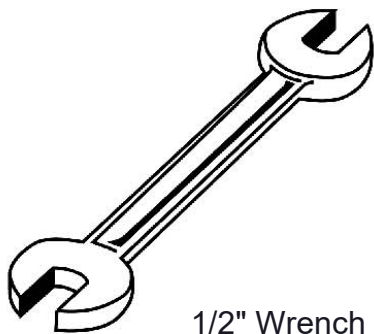


5/16" Washer

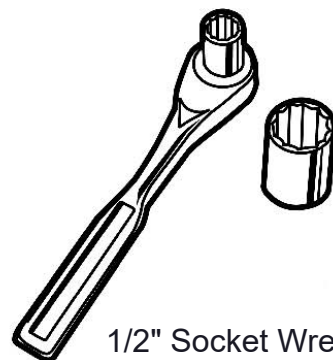


5/16" Kep Nut

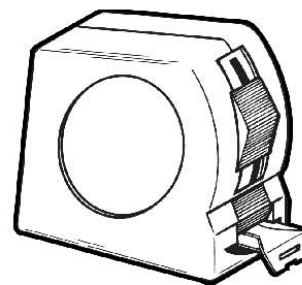
## TOOLS REQUIRED



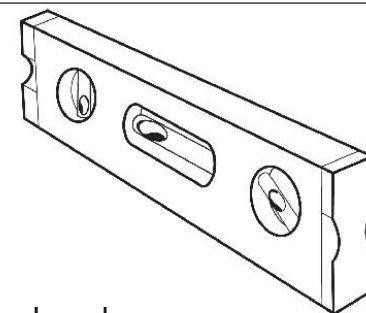
1/2" Wrench



1/2" Socket Wrench



Tape Measure



Level

# PRODUCT SPECIFICATIONS

## **T46WEB-3SADA 46" INGROUND ACCESSIBLE TABLE WITH 3 SEATS**

Top & Seats: 2" x 2" x 1/8" angle frame. 3/4" #9 steel expanded metal. 7 gauge x 1-1/2" flat bar center support and mounting bracket understructure. Top is additionally supported to the corners with 7 gauge x 1-1/2" flat bar. Electrically MIG welded.

Coating: Oven fused functionalized polyethylene copolymer-based thermoplastic. Fluidized bed coating application with superior mechanical performance, impact resistance and UV-stability.

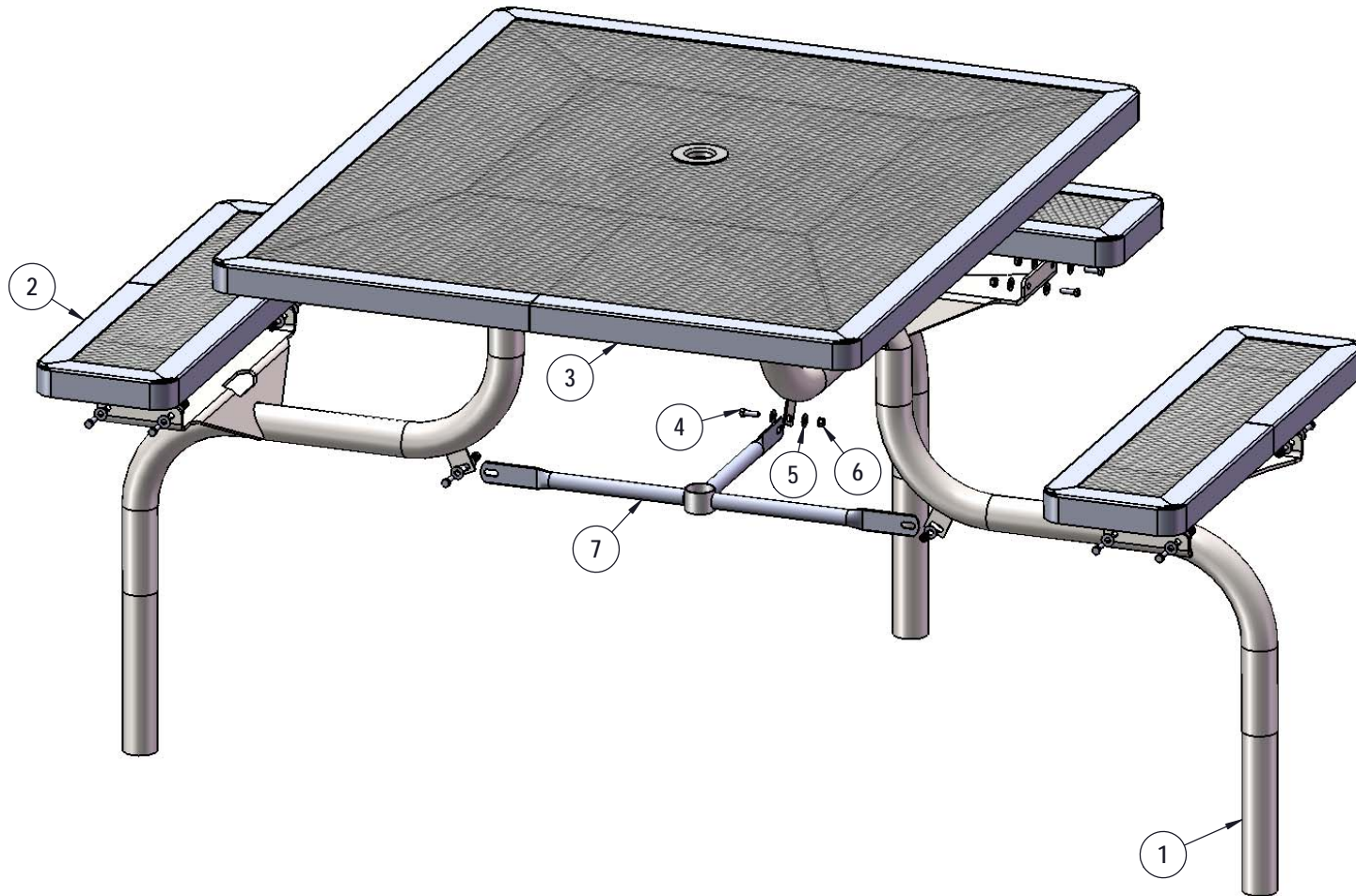
Frame: 2-3/8" O.D. x 13 gauge pre-galvanized structural steel tubing. Brace attachment points are 1-1/2"x2"x3/16" steel flat bar. Cross braces 1" O.D. x 16 gauge pre-galvanized structural steel tubing. Top is attached with 7 gauge 2"x2" die formed angle. Seat mounting points are 7 gauge x 1-1/2" die stamped steel flat bar. Legs are bent over a mandrel through the bend radius producing a wrinkle free bend. Holes are predrilled in legs for optional surface mounting. All electrically MIG welded.

Frame Coating: Electrostatic powder coated application oven cured.

Hardware: All stainless steel hardware fasteners.

Dimensions: Top is 46" x 55" x 30" high from ground. Overall height is 41". Seats are 10" wide x 36" long x 18" high from ground. Outside to outside dimensions of 3 seat table is 77-1/2" x 70-3/4".

# COMPONENTS

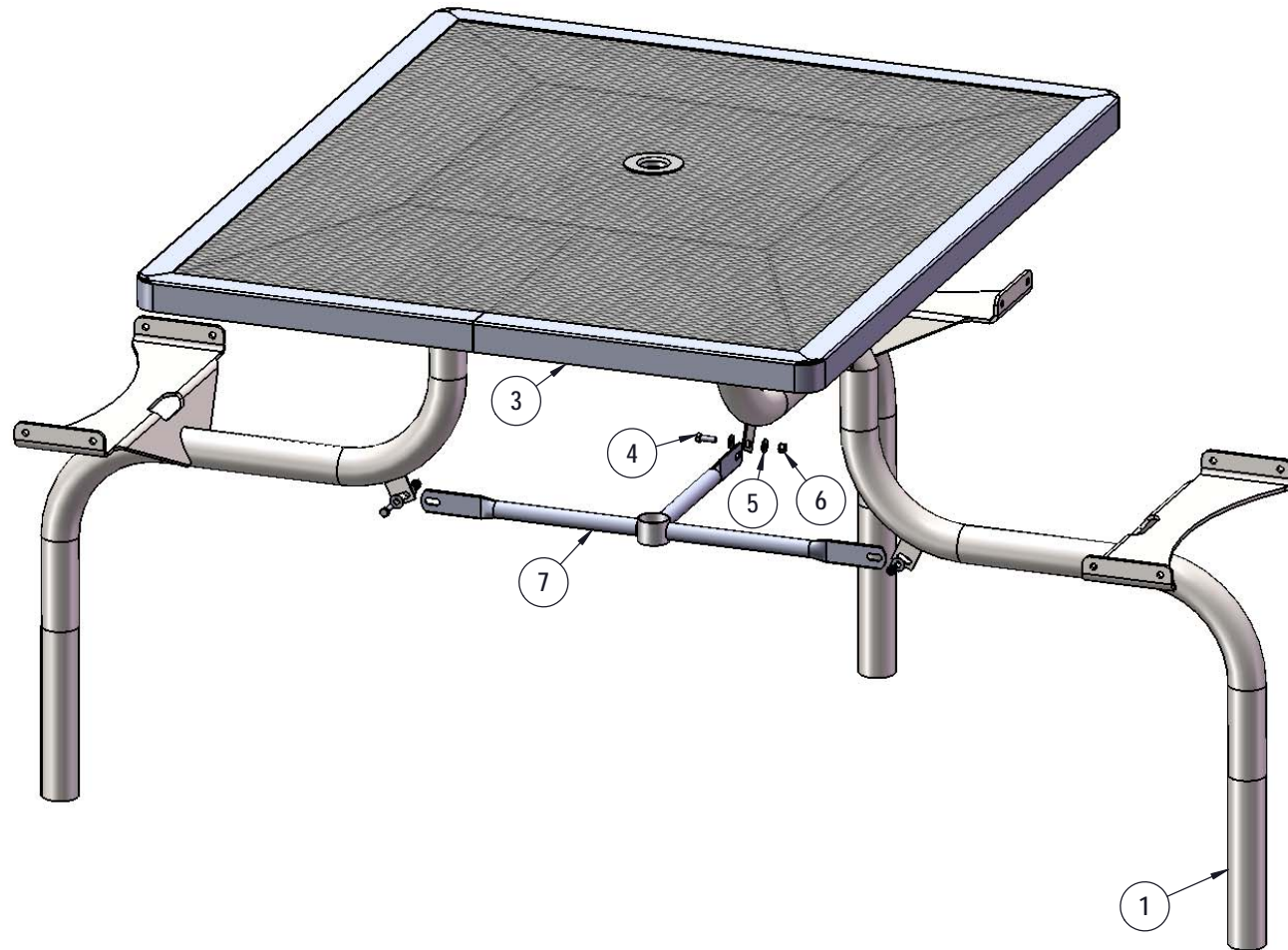


ITEM NO.	PartNo	DESCRIPTION	Qty.
1	P-V369S	V369S Leg	3
2	RC36-S	3' long x 10" wide regal expanded seat	3
3	RC46H-T	46" x 57" ADA square regal expanded top	1
4	33-05-0029	5/16" x 1" Machine Bolt (SS)	21
5	33-02-0007	5/16" SS Washer	42
6	33-03-0012	5/16" Kep Nut (SS)	21
7	P-01-04-0344	358H Crossbrace w/ Umbrella Tube	1

**Superior**<sup>®</sup>  
 RECREATIONAL PRODUCTS  
A PLAYCORE Company



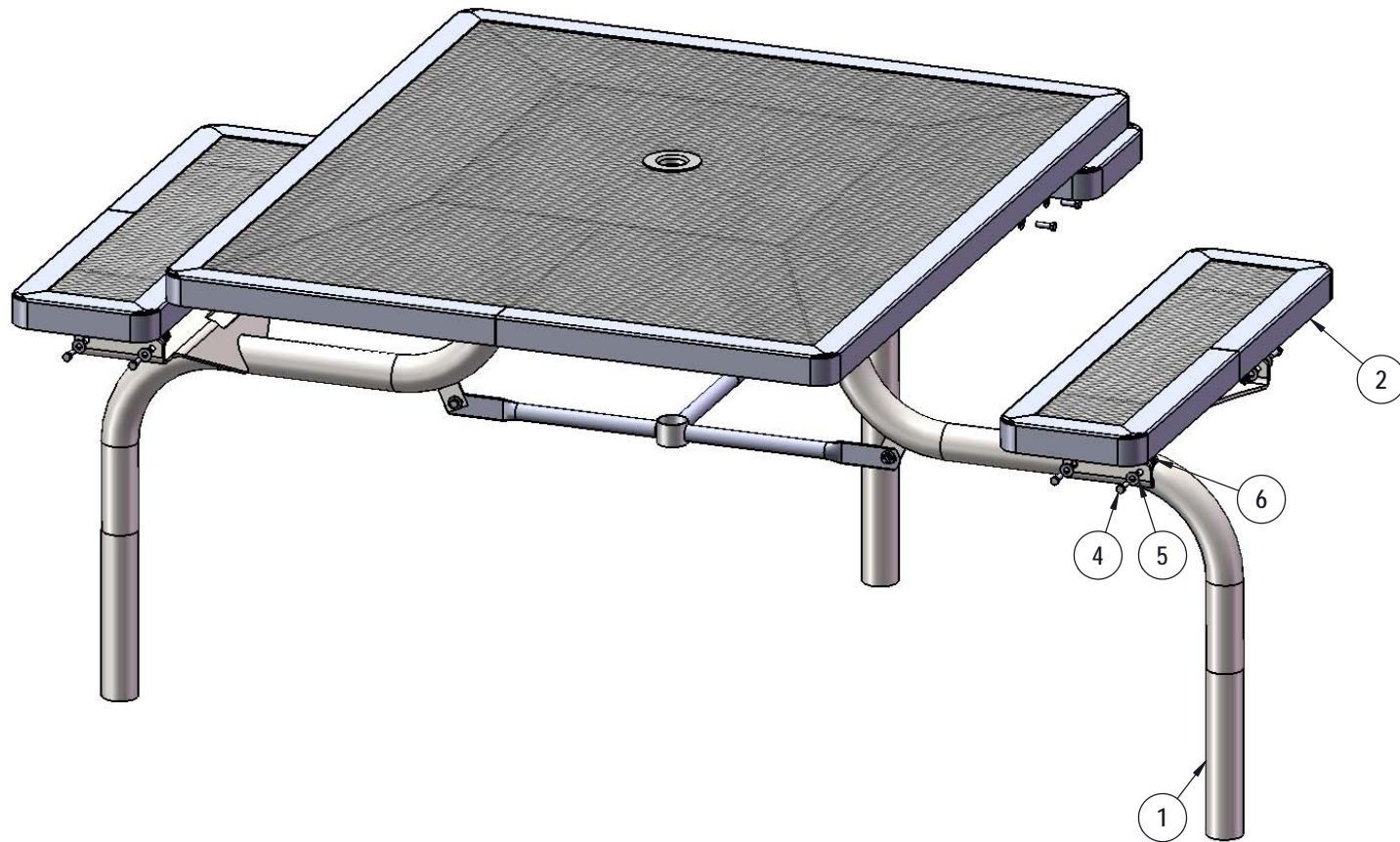
# STEP 1



Attach the 369 Legs to the Top and Cross Brace as shown using specified hardware.

**Superior**<sup>®</sup>  
RECREATIONAL PRODUCTS  
A PLAYCORE Company

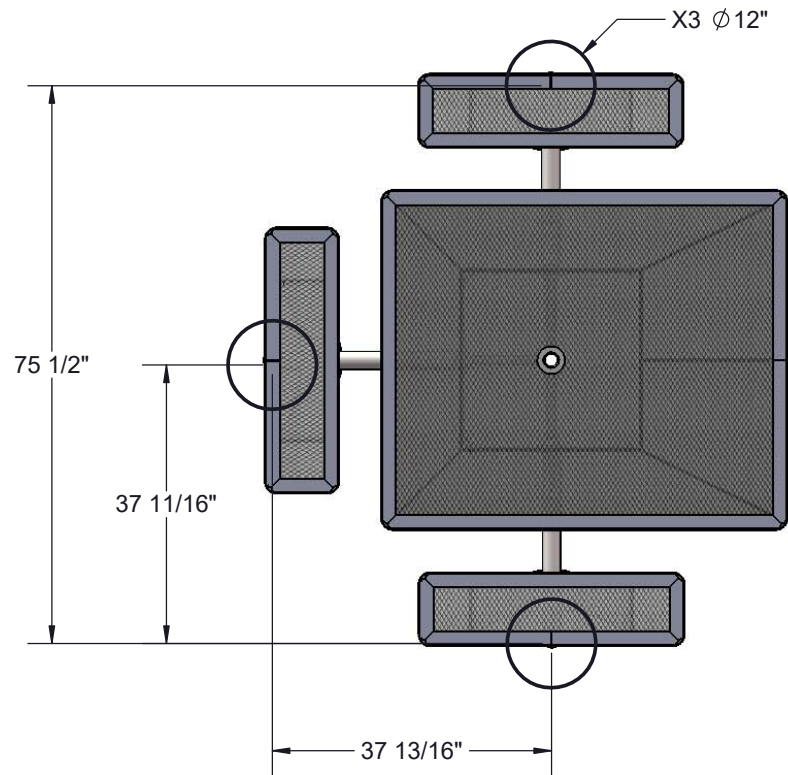
## STEP 2



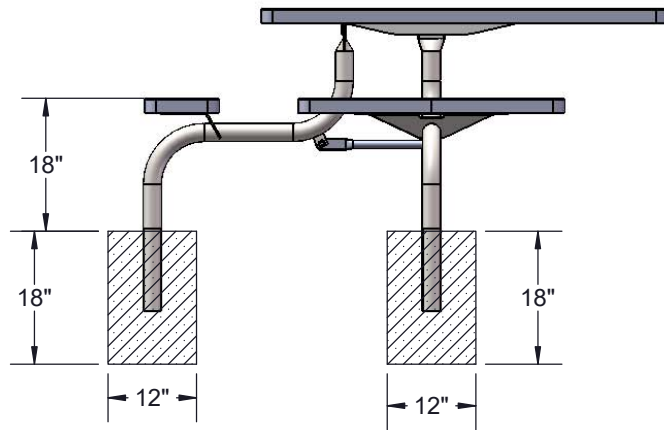
Attach the Seats to the 369 Legs as shown using specified hardware.

**Superior**<sup>®</sup>  
RECREATIONAL PRODUCTS  
A PLAYCORE Company

# FOOTINGS



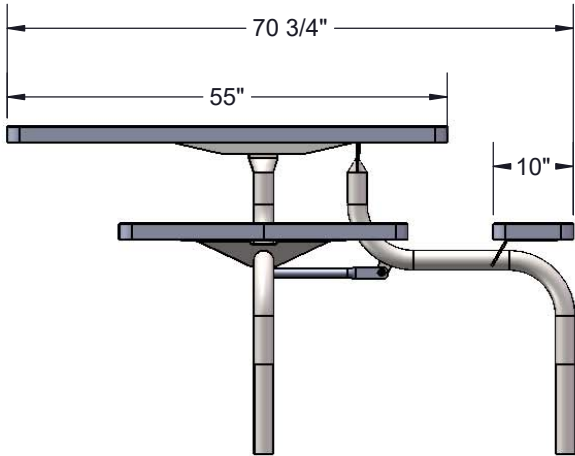
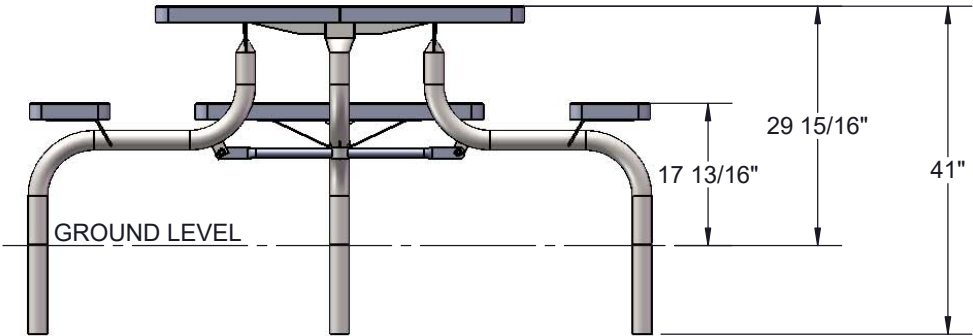
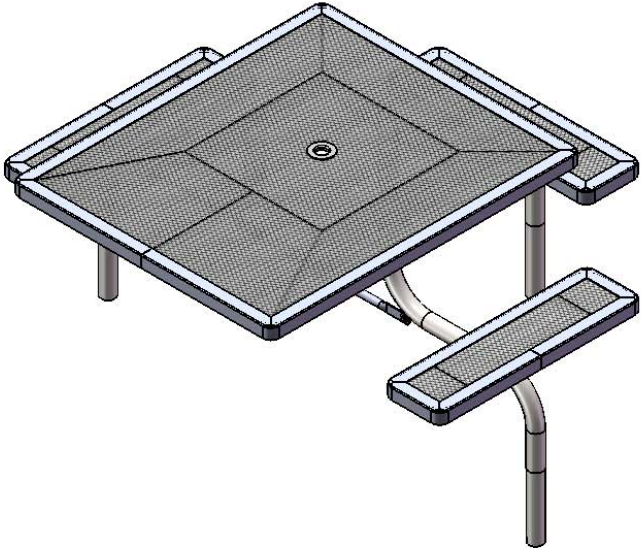
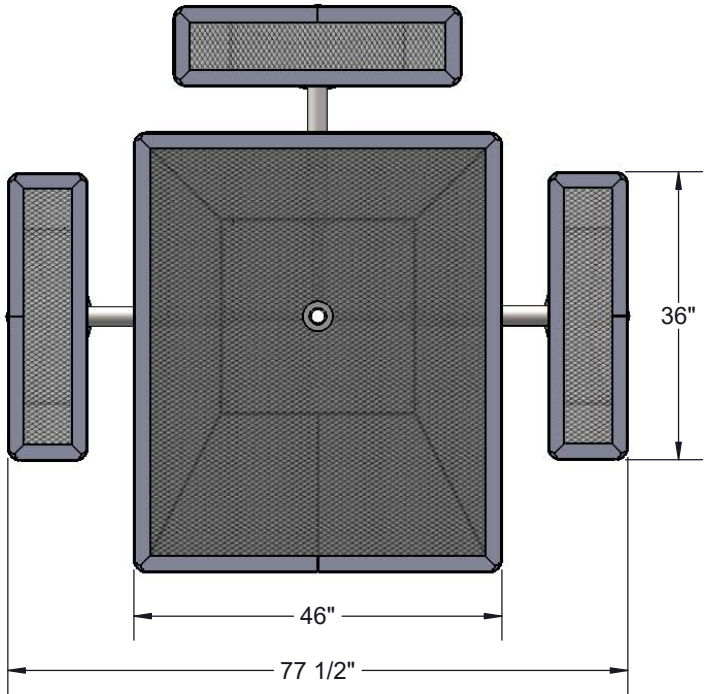
Estimated Required Concrete:  
10 - 50lb Bags of Concrete Mix



**Superior**<sup>®</sup>  
RECREATIONAL PRODUCTS  
A PLAYCORE Company



# OVERALL DIMENSIONS



**Superior**<sup>®</sup>  
RECREATIONAL PRODUCTS  
A PLAYCORE Company