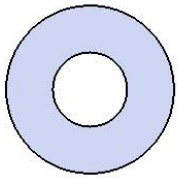


Model # T46WEBCLASS-3S

# HARDWARE



5/16" x 1"  
Machine Bolt



5/16" Washer



5/16" Kep Nut

# PRODUCT SPECIFICATIONS

## **T46WEBCLASS-3S INGROUND TABLE WITH 3 SEATS**

Seat & Back: 11 gauge sheet steel is die formed with laser cut design . Seat support pieces are 11 gauge laser cut sheet steel. Top has 7 gauge x 1-1/2" flat bar center support and mounting bracket understructure. All electrically MIG welded.

Coating: Oven fused functionalized polyethylene copolymer-based thermoplastic. Fluidized bed coating application with superior mechanical performance, impact resistance and UV-stability.

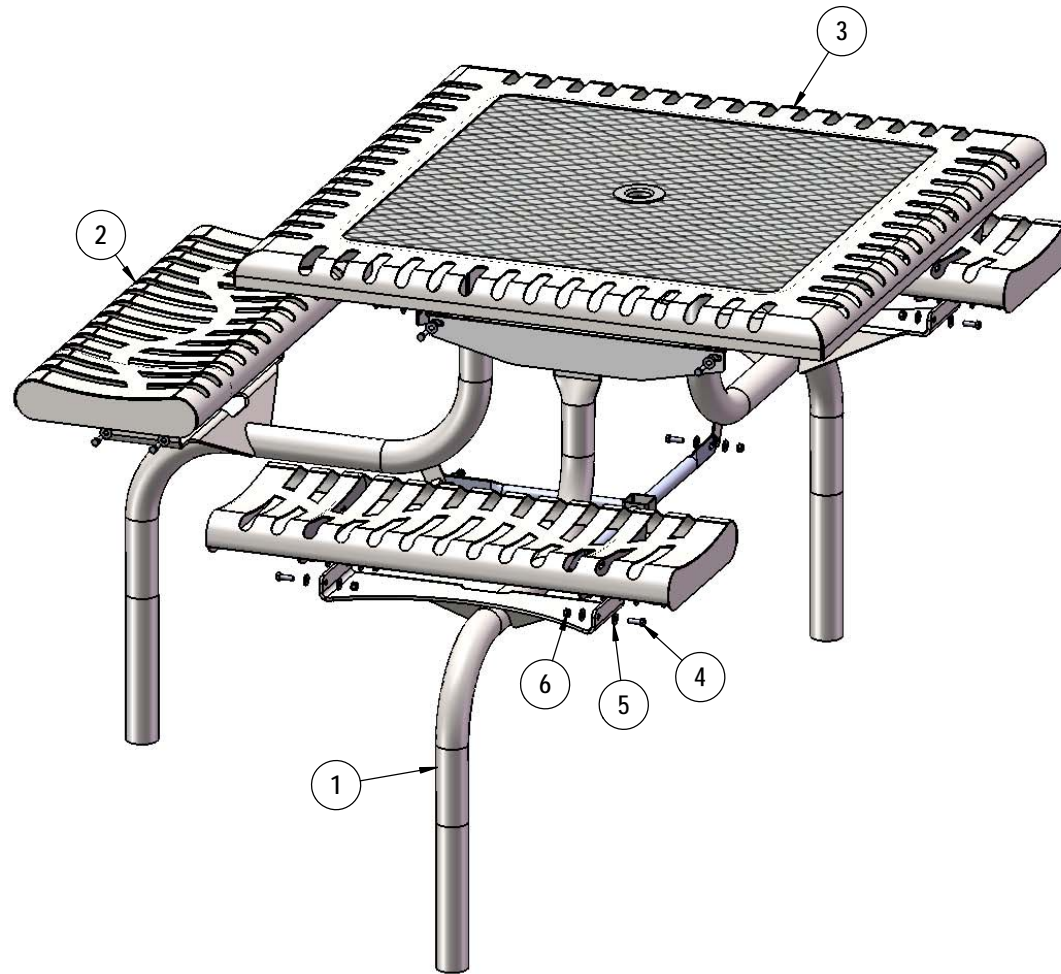
Frame: 2-3/8" O.D. x 13 gauge pre-galvanized structural steel tubing. Brace attachment points are 1-1/2"x2"x3/16" steel flat bar. Cross braces 1" O.D. x 16 gauge pre-galvanized structural steel tubing. Top is attached with 7 gauge 2"x2" die formed angle. Seat mounting points are 7 gauge x 1-1/2" die stamped steel flat bar. Legs are bent over a mandrel through the bend radius producing a wrinkle free bend. All electrically MIG welded.

Frame Coating: Electrostatic powder coated application oven cured.

Hardware: All stainless steel hardware fasteners.

Dimensions: Top is 46" x 55" x 29-1/2" high. Seats are 14-5/16" wide x 36" long x 18" high. Outside to outside dimensions are 82" x 65" x 29-1/2" high.

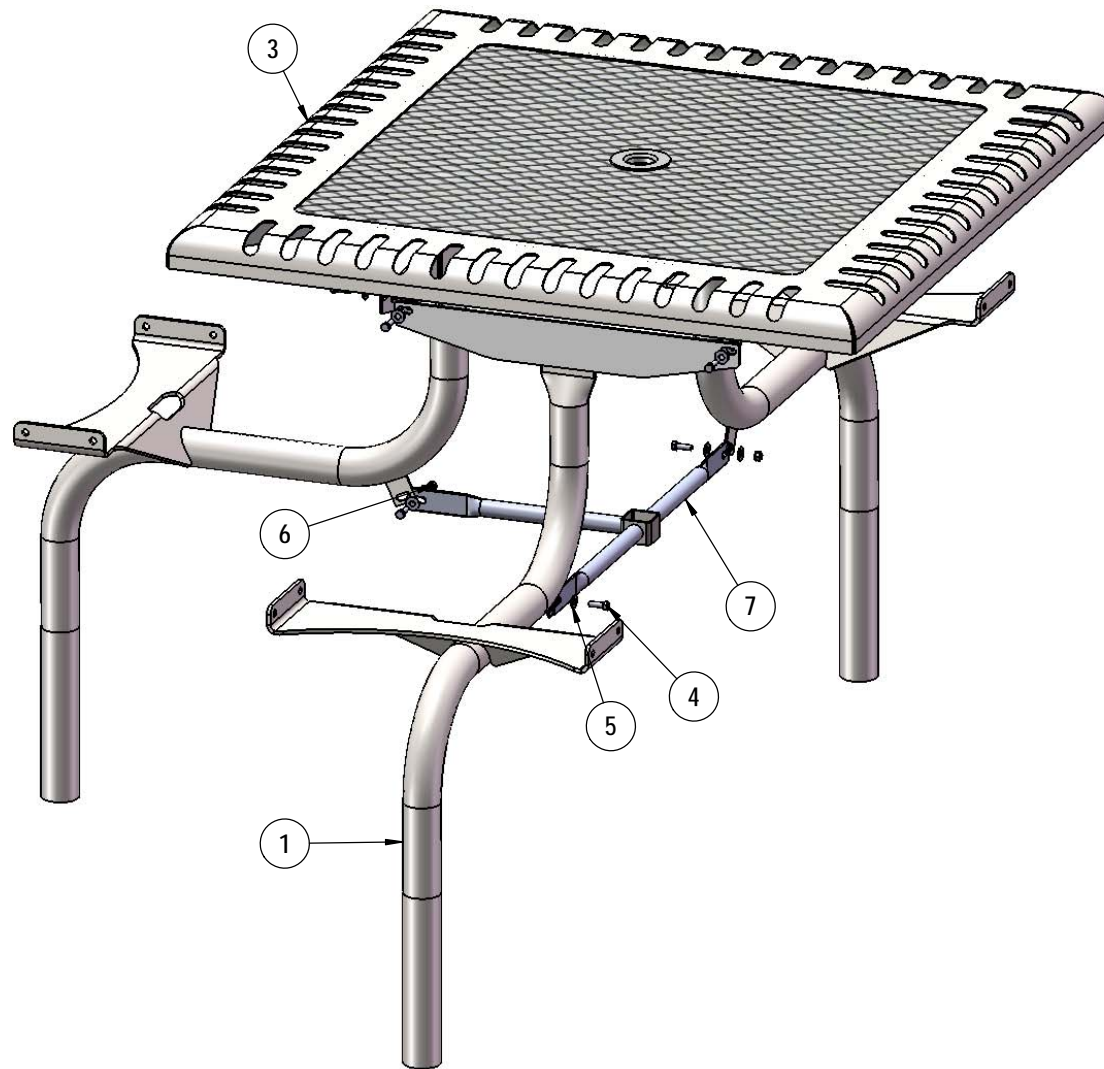
# COMPONENTS



| ITEM NO. | PartNo       | DESCRIPTION                      | QTY |
|----------|--------------|----------------------------------|-----|
| 1        | P-V369S      | V369S Leg                        | 3   |
| 2        | CLASS36-S    | Classic 36" Seat                 | 3   |
| 3        | CLASS46-T    | Classic Top 46" square           | 1   |
| 4        | 33-05-0029   | 5/16" x 1" Machine Bolt (SS)     | 21  |
| 5        | 33-02-0007   | 5/16" SS Washer                  | 42  |
| 6        | 33-03-0012   | 5/16" Kep Nut (SS)               | 21  |
| 7        | P-01-04-0344 | 358H Crossbrace w/ Umbrella Tube | 1   |

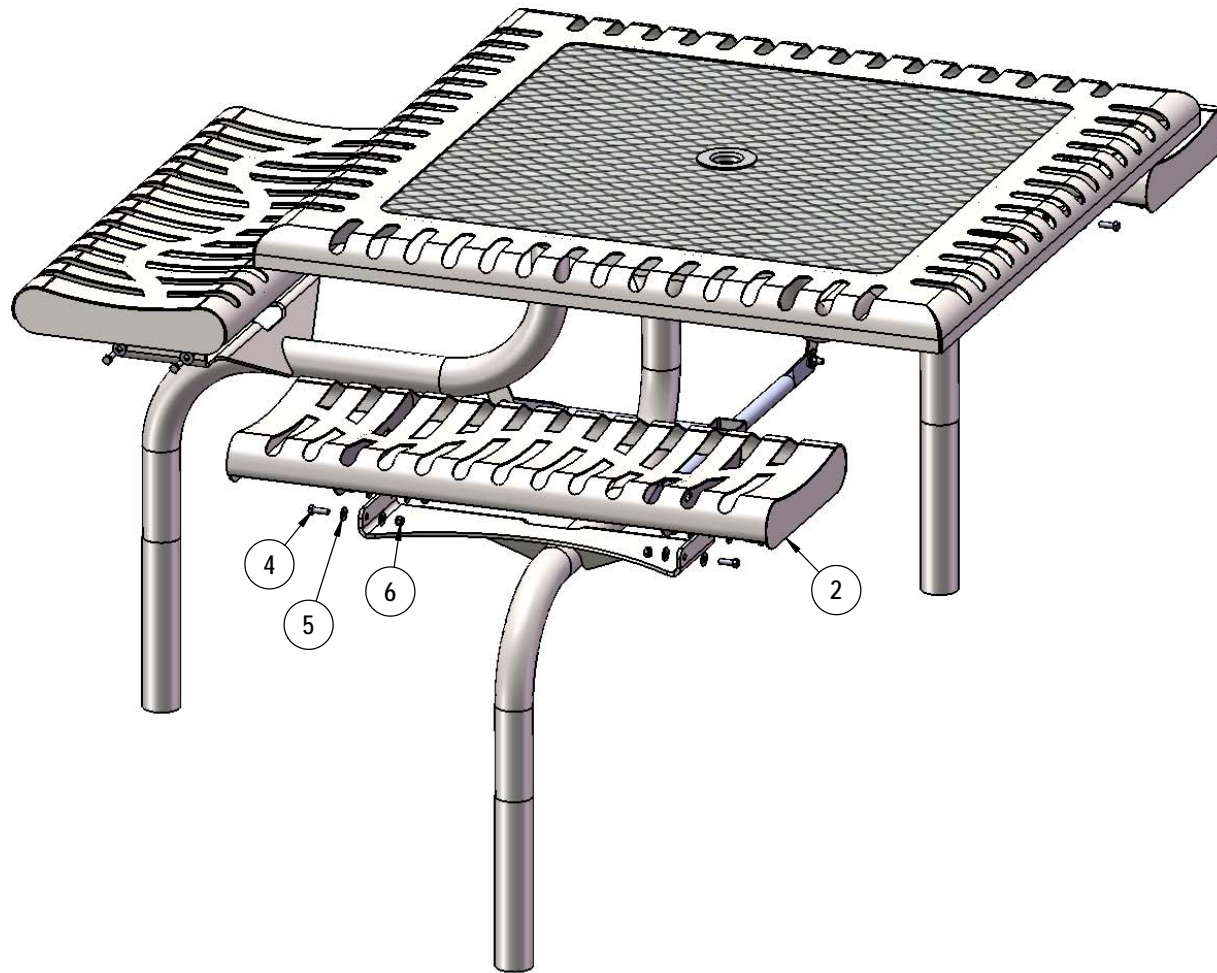
**Superior**<sup>®</sup>  
 RECREATIONAL PRODUCTS  
A PLAYCORE Company

## STEP 1



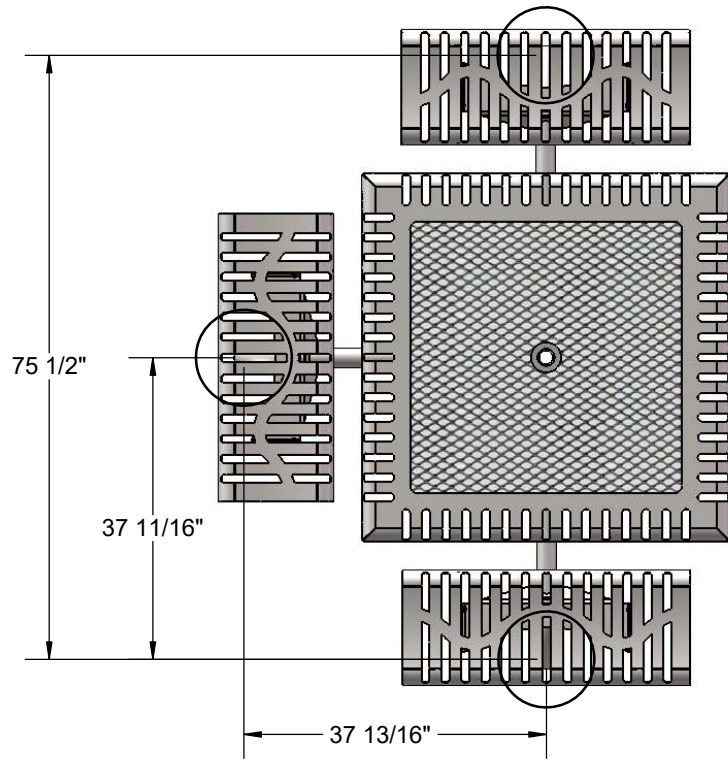
Attach the legs to the top as shown using specified hardware. Then attach the cross brace to the legs.

## STEP 2

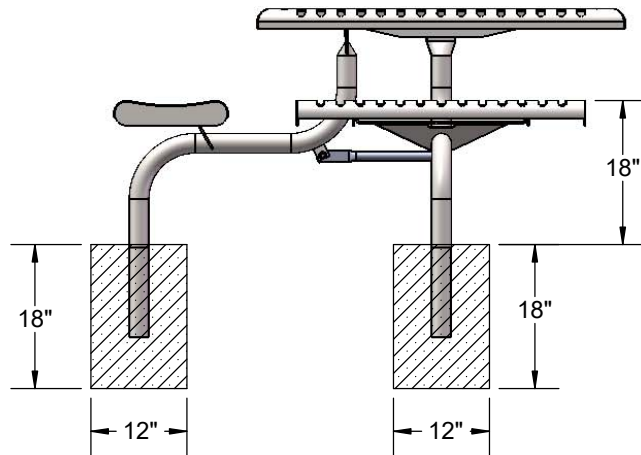


Attach the seats to the legs as shown using specified hardware.

# FOOTINGS

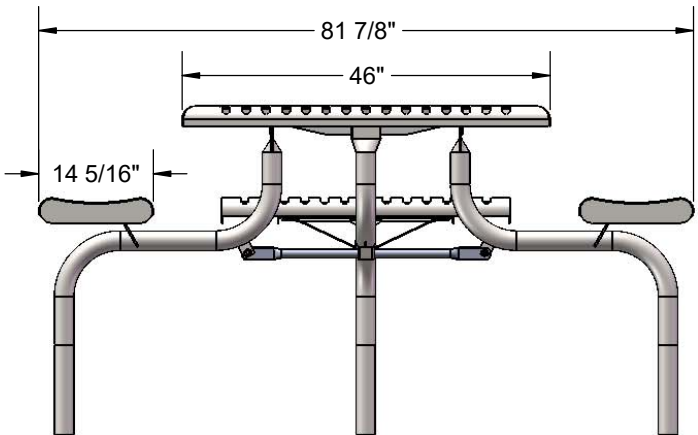
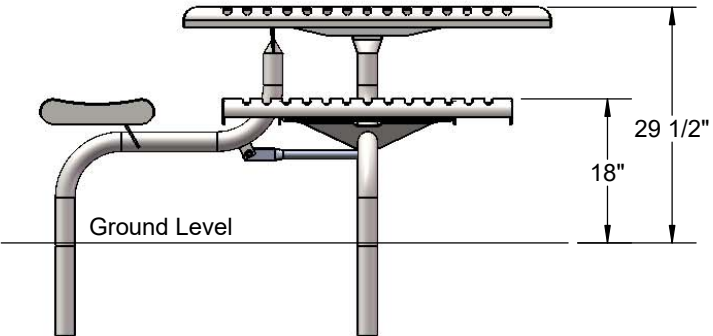
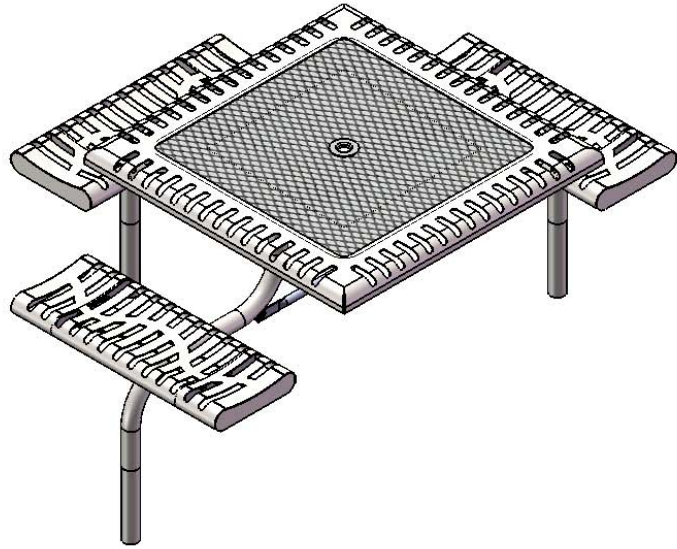
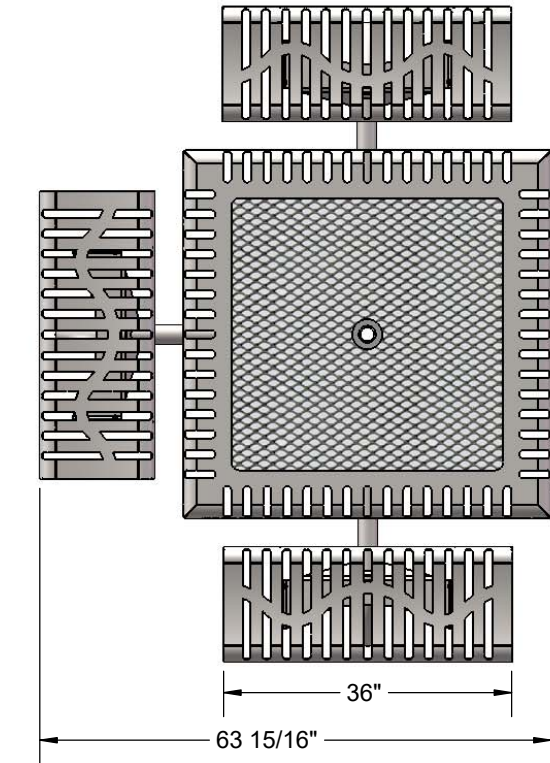


Estimated Required Concrete:  
10 - 50 lb Bags of Concrete Mix



**Superior**<sup>®</sup>  
RECREATIONAL PRODUCTS  
A PLAYCORE Company

# OVERALL DIMENSIONS



**Superior**<sup>®</sup>  
RECREATIONAL PRODUCTS  
A PLAYCORE Company