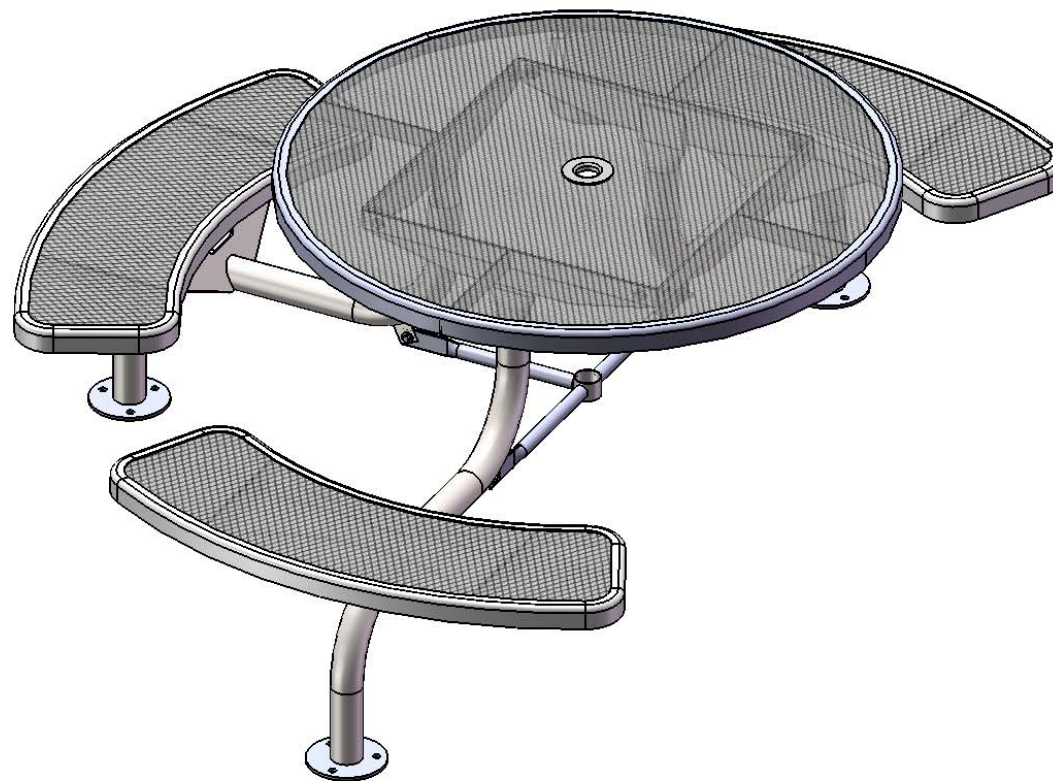


# Site Amenities

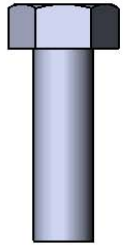
BY SUPERIOR RECREATIONAL PRODUCTS



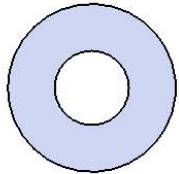
Model #  
T46WEBRACS-3SM

 **SUPERIOR**<sup>®</sup>  
RECREATIONAL PRODUCTS  
A **PLAYCORE** Company

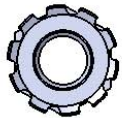
# HARDWARE



5/16" x 1"  
Machine Bolt



5/16" Washer



5/16" Kev Nut

# PRODUCT SPECIFICATIONS

## **T46WEBRACS-3SM 46" SURFACE MOUNT TABLE WITH 3 SEATS**

Top & Seats: 11 gauge die formed angle frame 1"x1-7/8" with 3" radius corners. 3/4" #9 steel expanded metal. 7 gauge x 1-1/2" flat bar center support and mounting bracket understructure. Top is additionally supported to the corners with 7 gauge x 1-1/2" flat bar. Electrically MIG welded.

Coating: Oven fused functionalized polyethylene copolymer-based thermoplastic. Fluidized bed coating application with superior mechanical performance, impact resistance and UV-stability.

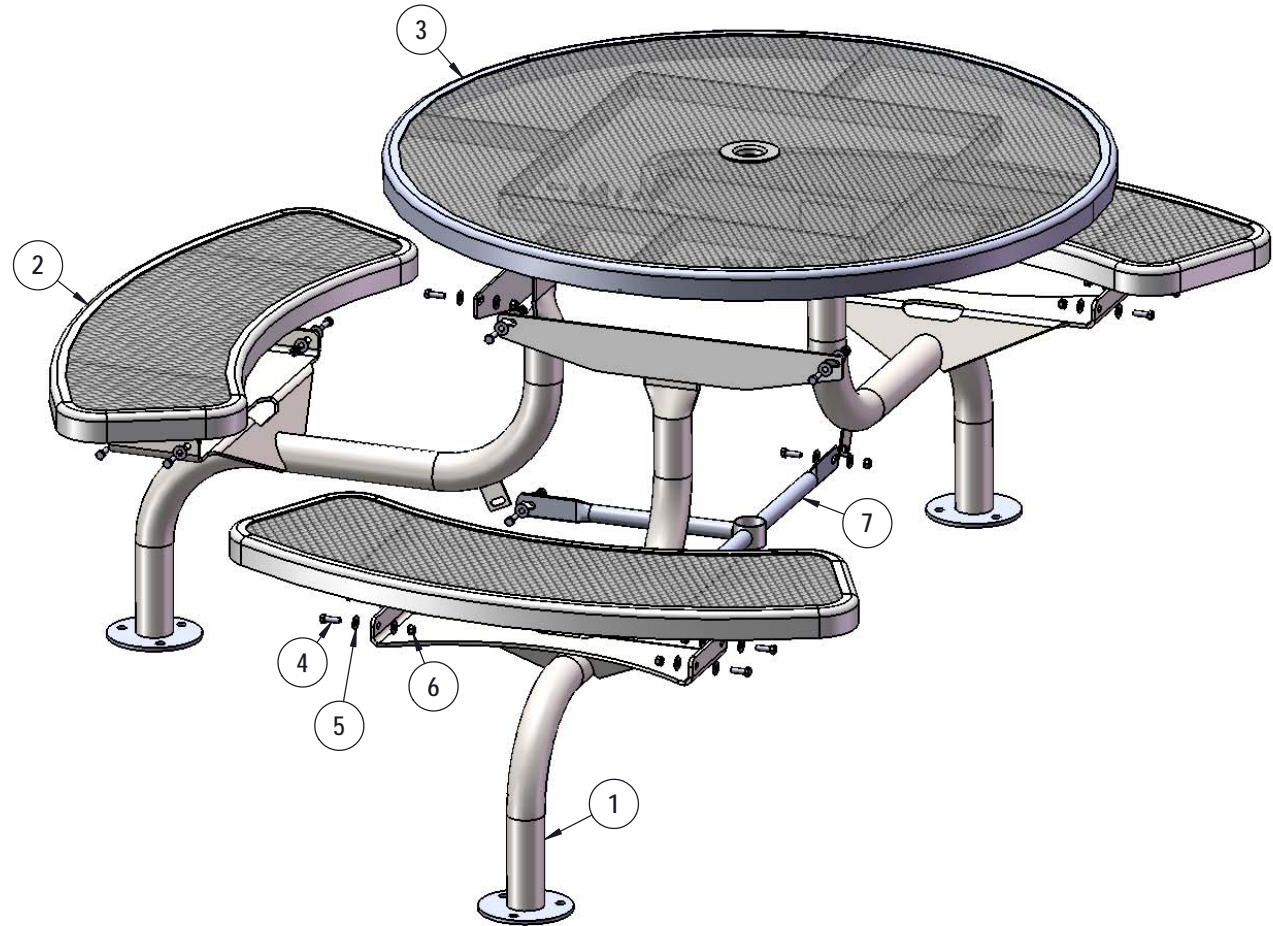
Frame: 2-3/8" O.D. x 13 gauge pre-galvanized structural steel tubing. Brace attachment points are 1-1/2"x2"x3/16" steel flat bar. Cross braces 1" O.D. x 16 gauge pre-galvanized structural steel tubing. Top is attached with 7 gauge 2"x2" die formed angle. Seat mounting points are 7 gauge x 1-1/2" die stamped steel flat bar. Legs are bent over a mandrel through the bend radius producing a wrinkle free bend. Surface mount plates are 6" O.D. 1/4" thick steel flat plate. All electrically MIG welded.

Frame Coating: Electrostatic powder coated application oven cured.

Hardware: All stainless steel hardware fasteners.

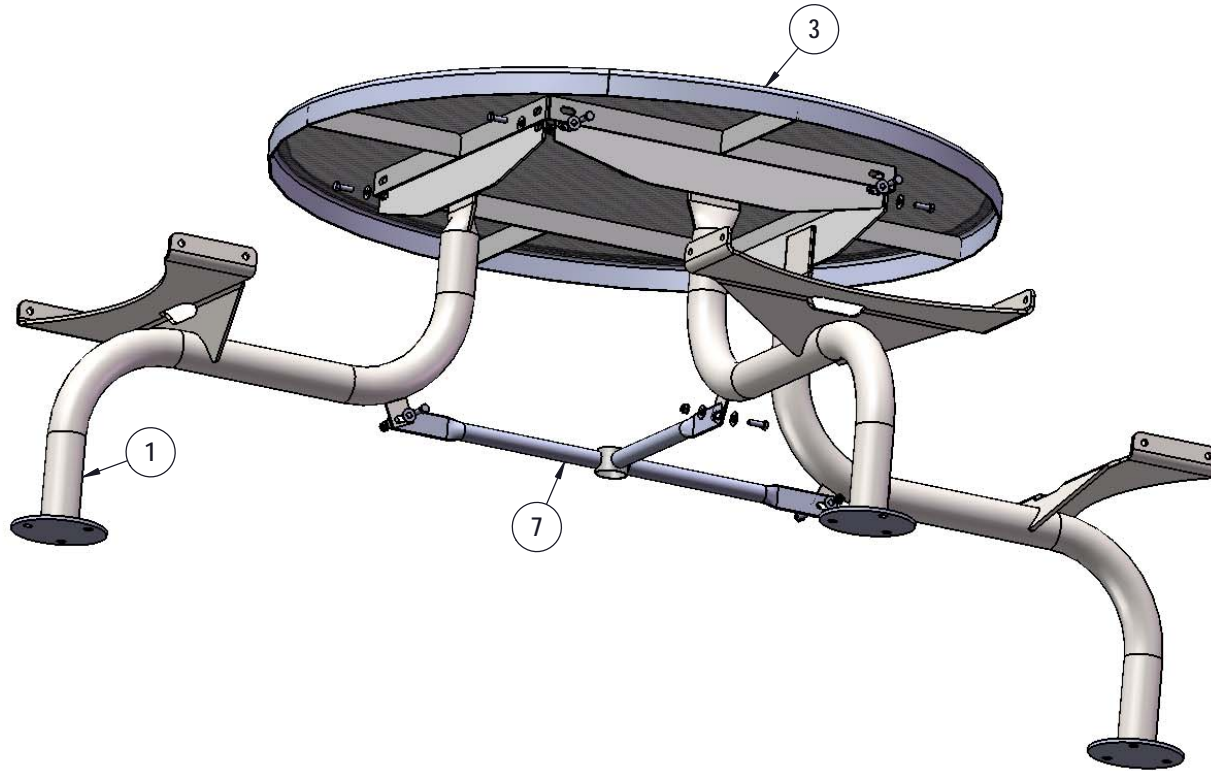
Dimensions: Top is 46" round x 30" high. Seats are 12" wide x 36" long x 18" high. Outside to outside dimensions of 3 seat table is 85" x 65".

# COMPONENTS



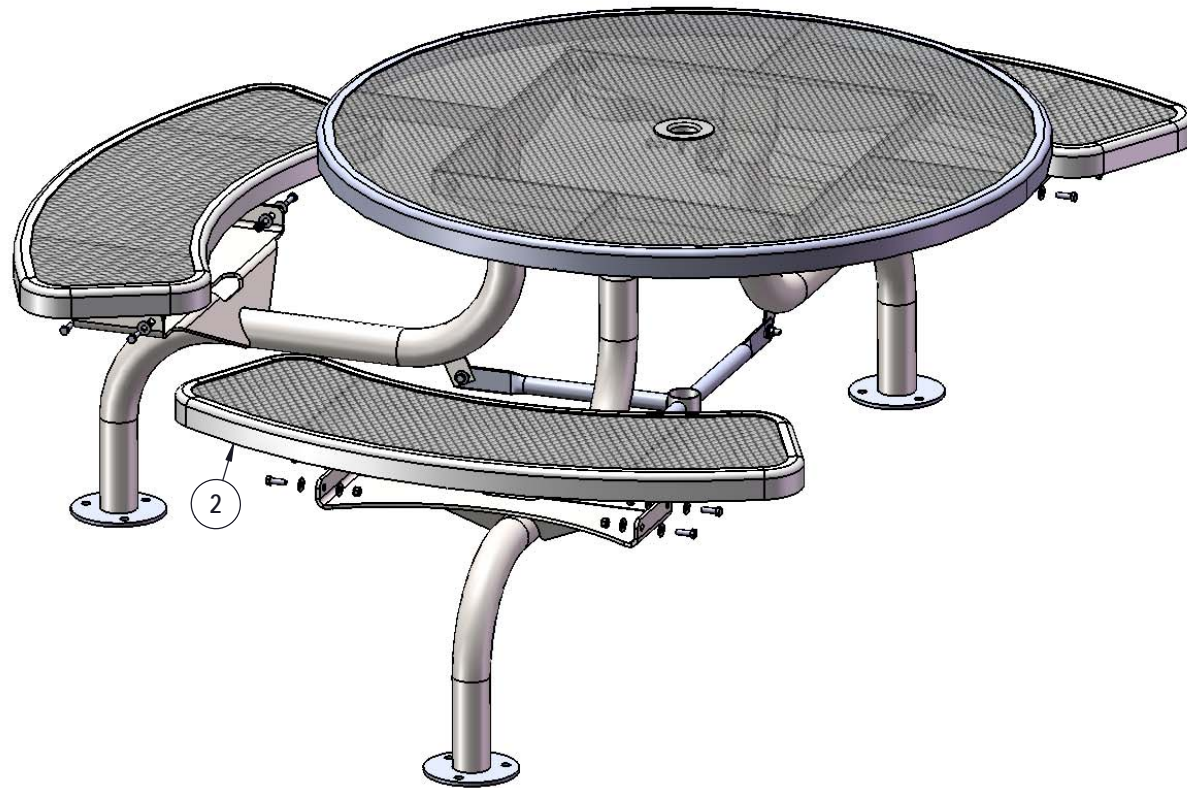
ITEM NO.	PartNo	DESCRIPTION	QTY
1	P-V369SM	V369SM Leg	3
2	T-V36RD-S	3' Expanded Round Seat	3
3	T-V46RD-T	46" Round Expanded Top	1
4	33-05-0029	5/16" x 1" Machine Bolt (SS)	21
5	33-02-0007	5/16" SS Washer	39
6	33-03-0012	5/16" Kep Nut (SS)	21
7	P-01-04-0344	358H Crossbrace w/ Umbrella Tube	1

# STEP 1



Attach the Legs to the Top and Cross Brace as shown using specified hardware.

## STEP 2



Attach the Seats to the Legs as shown using specified hardware.



# OVERALL DIMENSIONS

