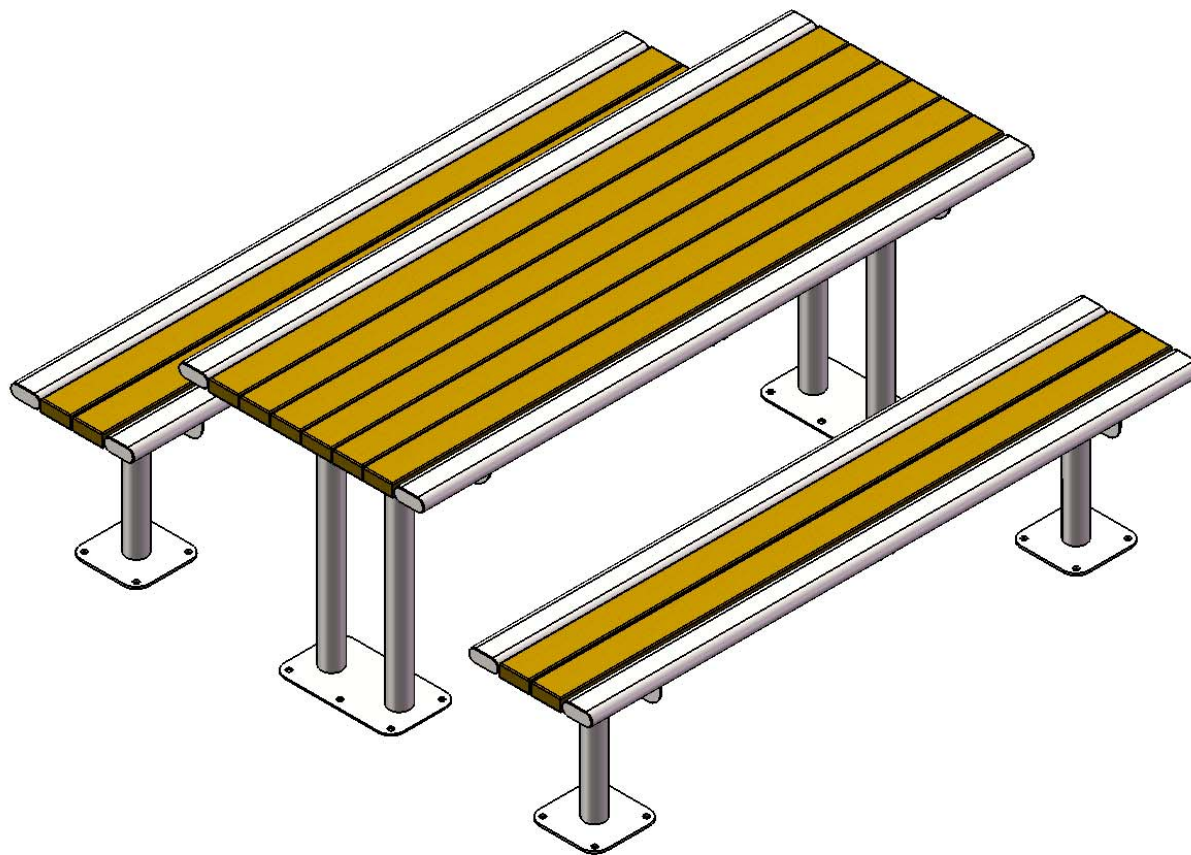


Site Amenities

BY SUPERIOR RECREATIONAL PRODUCTS



Model #
T6ARPEDSM-RC

 **SUPERIOR**[®]
RECREATIONAL PRODUCTS
A **PLAYCORE** Company

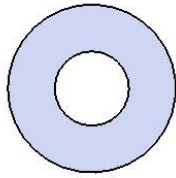
HARDWARE



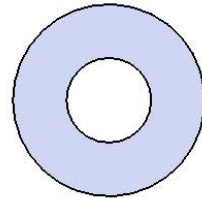
5/16" x 1-1/4"
Lag Bolt



3/18" x 1"
Machine Bolt

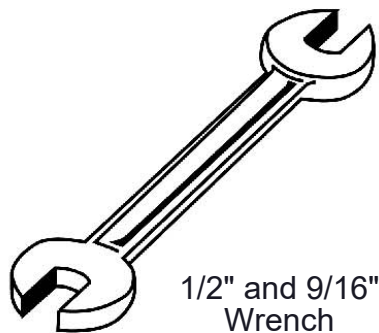


5/16" Flat Washer

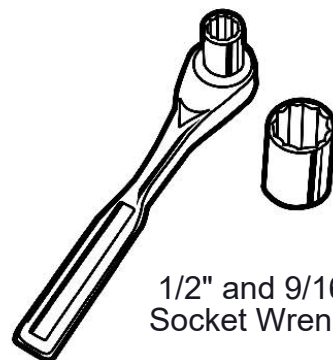


3/8" Flat Washer

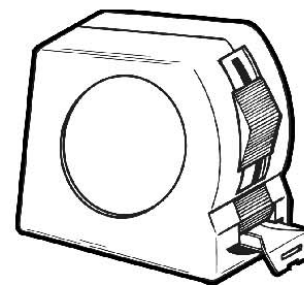
TOOLS REQUIRED



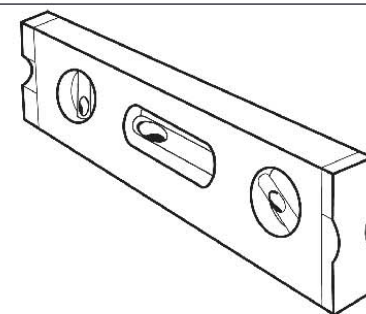
1/2" and 9/16"
Wrench



1/2" and 9/16"
Socket Wrench



Tape Measure



Level

PRODUCT SPECIFICATIONS

T6ARPEDSM-RC ARCHES SURFACE MOUNT PICNIC TABLE

Seats & Top: 2x4 planks are made from a minimum of 96% post-consumer or post-industrial recycled plastic. Contains UV stabilizers to prevent fading. End Planks are made from 1-1/2" x 3-1/2" steel oval tubing.

Frame: 2-3/8" x 12 gauge structural steel tubing. Seat and Top supports are fabricated from 3/16" angle. All electrically MIG welded.

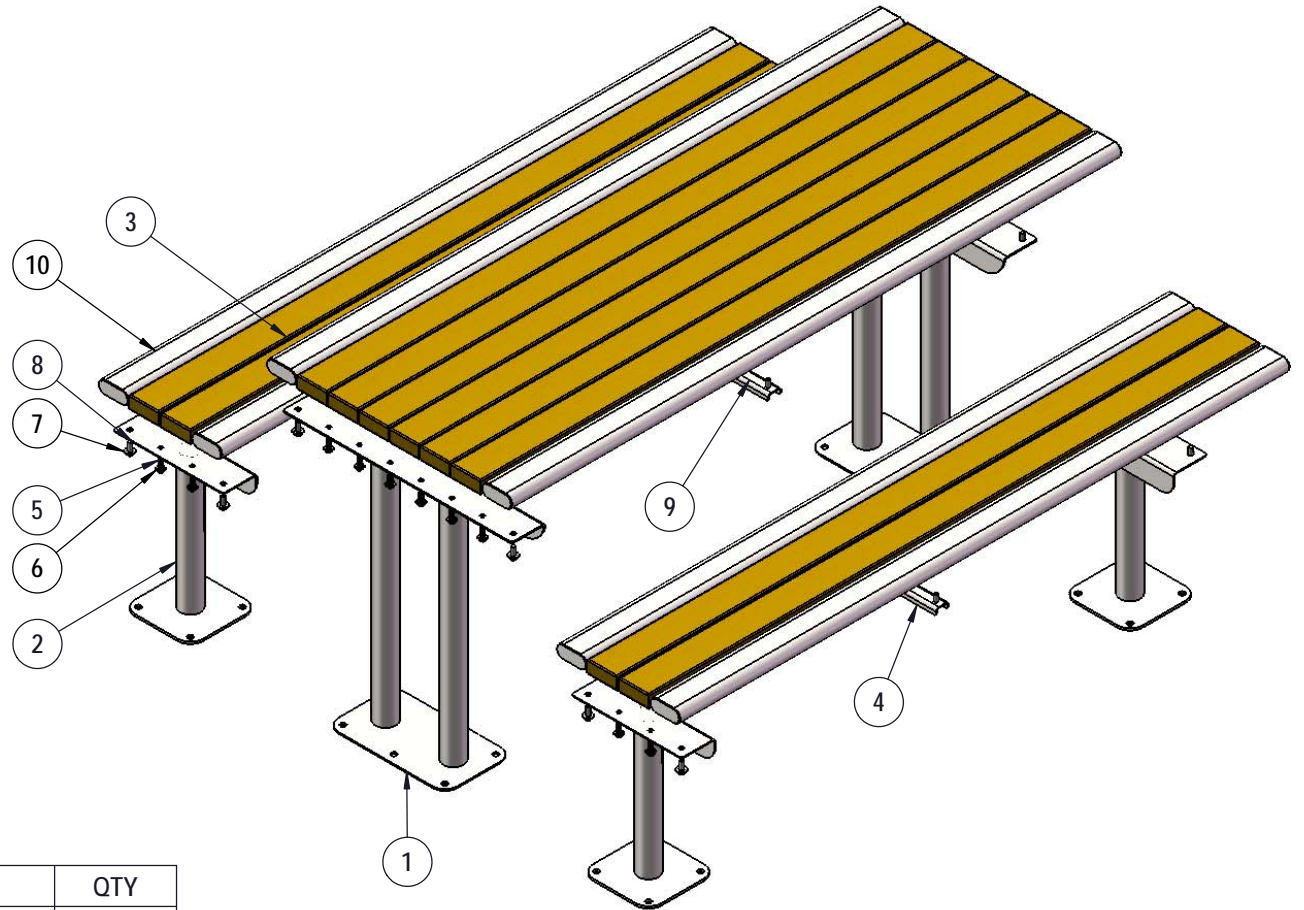
Frame Coating: Metal is sandblasted to near white condition. Coated with zinc rich epoxy primer and top coated with electrostatic powdercoat, oven cured.

Hardware: All fasteners are zinc coated.

Overall Dimensions: 30" H x 68-1/2" D x 72" W. Seat is 18" high.

COMPONENTS

Attach the 6' Recycled Planks and Oval Tube Planks to the frames using specified hardware.



Recommended Surface Mount Hardware:
3/8" x 3-1/2" Concrete Expansion Anchor Bolts
(Not Included)

ITEM NO.	PartNo	DESCRIPTION	QTY
1	P-01-01-0439	63 Series SM Table Leg	2
2	P-01-01-0438	63 Series SM Seat Leg	4
3	BRN72-2x4-LB, CDR72-2x4-LB, GRN72-2x4-LB, or GRY72-2x4-LB	2 x 4 Brown Recycled Bench Plank-Lag Bolts (6'), 2 X 4 Cedar Recycled Bench Plank-Lag Bolts (6'), 2 x 4 Green Recycled Bench Plank-Lag Bolts(6'), or 2 x 4 Grey Recycled Bench Plank-Lag Bolts (6')	10
4	P-01-01-0674	63/64 Series Seat Channel	2
5	33-05-0034	5/16" x 1-1/4" lag bolt, SS	30
6	33-02-0007	5/16" SS Washer	30
7	33-02-0008	3/8" Flat Washer (SS)	18
8	33-06-0056	3/8" x 1" Machine Bolt (SS)	18
9	P-01-01-0675	63/64 Series Center Channel	1
10	01-01-0664	6' Oval Tube	6

OVERALL DIMENSIONS

