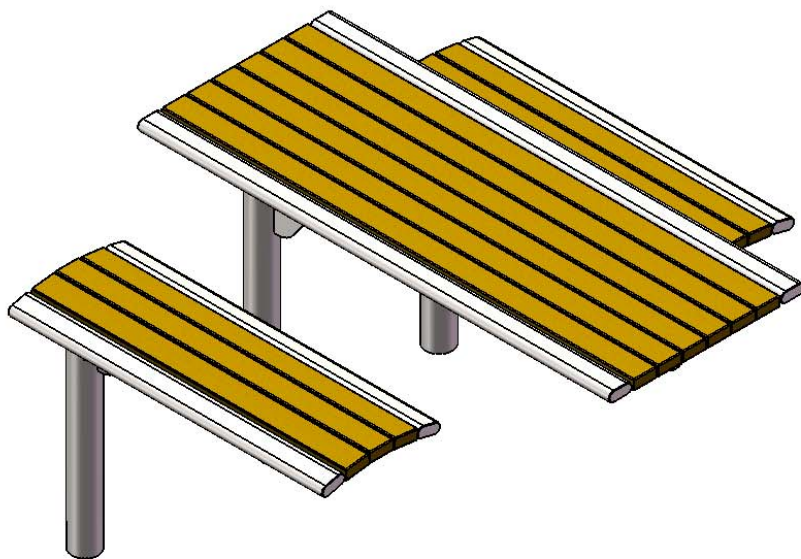


# Site Amenities

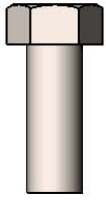
BY SUPERIOR RECREATIONAL PRODUCTS



Model # T6ARS-RC-CANT

**S** SUPERIOR<sup>™</sup>  
RECREATIONAL PRODUCTS  
A PLAYCORE Company

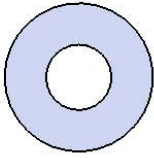
## HARDWARE



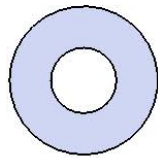
3/8" x 1"  
Machine Bolt



5/16" x 1"  
Lag Bolt



3/8" Flat Washer



5/16" Flat Washer

## ULTRA SITE PRODUCT SPECIFICATIONS

### **65S-R6 RECYCLED CANTILEVER INGROUND MOUNT PICNIC TABLE**

Seat: 2x4 planks are made from a minimum of 96% post-consumer or post-industrial recycled plastic. Contains UV stabilizers to prevent fading. End Planks are made from 1-1/2" x 3-1/2" Steel Oval Tube.

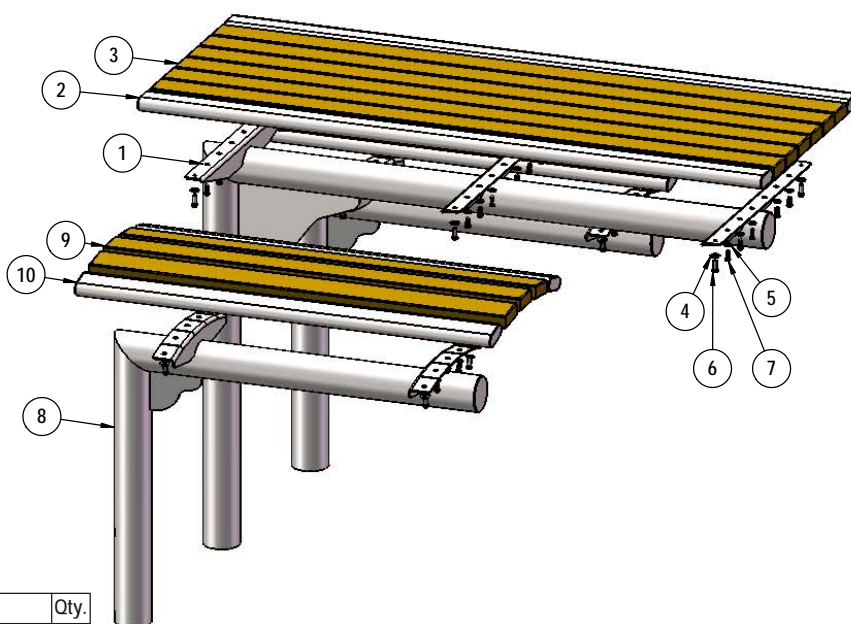
Frame: 4" diameter x 11 gauge structural steel tubing. Attachment plates are 1/4" thick flat steel. Gussets are 1/4" thick flat steel plate. All electrically MIG welded.

Coating: Metal is sandblasted to near white condition. Coated with zinc rich epoxy primer and top coated with electrostatic powdercoat, oven cured.

Dimensions: 6' inground mounted table. Seats are 18" wide x 48" long. Top is 29-3/4" wide x 72" long. Seat height is 18-5/8" from the ground. Top height is 30-3/4" from the ground. The overall dimensions are 72" x 72" x 48-3/16"

## COMPONENTS

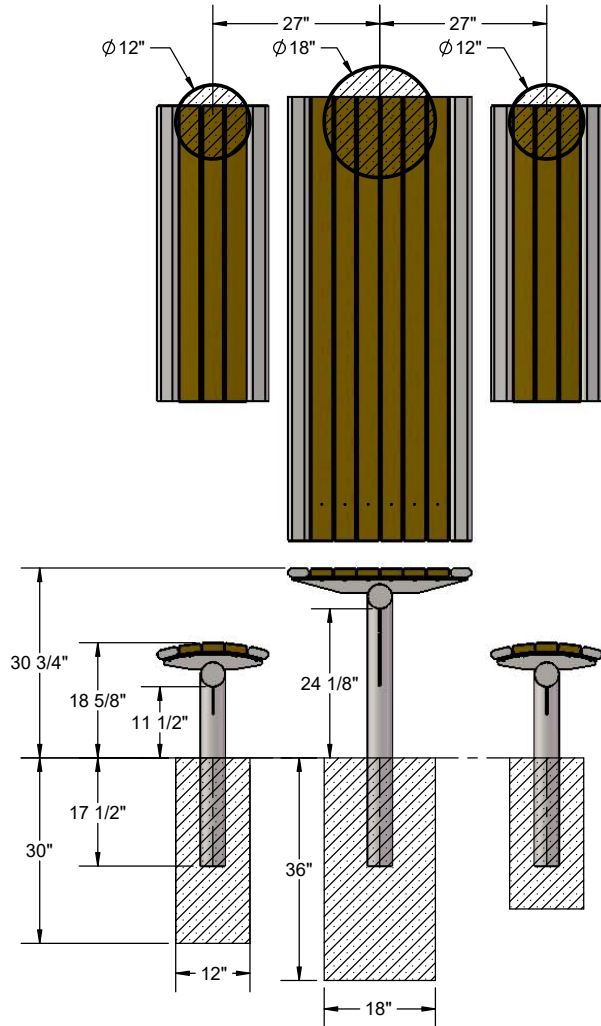
Attach the 6' Top and 4' Seats to the Cantilever Legs using the specified hardware.



ITEM NO.	PartNo	DESCRIPTION	Qty.
1	01-01-0907	Cantilever Table Recycled IG Leg Assembly	1
2	01-01-0664	6' Oval Tube	2
3	BRN72-2x4-LB, CDR72-2x4-LB, GRN72-2x4-LB, or GRY72-2x4-LB	2 x 4 Brown Recycled Bench Plank-Lag Bolts (6'), 2 X 4 Cedar Recycled Bench Plank-Lag Bolts (6'), 2 x 4 Green Recycled Bench Plank-Lag Bolts(6'), or 2 x 4 Grey Recycled Bench Plank-Lag Bolts (6')	6
4	33-02-0008	3/8" Flat Washer (SS)	12
5	33-02-0007	5/16" SS Washer	32
6	33-06-0056	3/8" x 1" Machine Bolt (SS)	14
7	33-05-0067	5/16" x 1" lag bolt, SS	30
8	01-01-0891	66 Recycled Bench Leg - Inground	2
9	BRN48-2x4-LB, CDR48-2x4-LB, GRN48-2x4-LB, or GRY48-2x4-LB	2 x 4 Brown Recycled Bench Plank-lagbolt (4'), 2 X 4 Cedar Recycled Bench Plank-lagbolt (4'), 2 x 4 Green Recycled Bench Plank-lagbolt (4'), or 2 x 4 Grey Recycled Bench Plank-lagbolt (4')	6
10	01-01-0896	4' Oval Tube	4

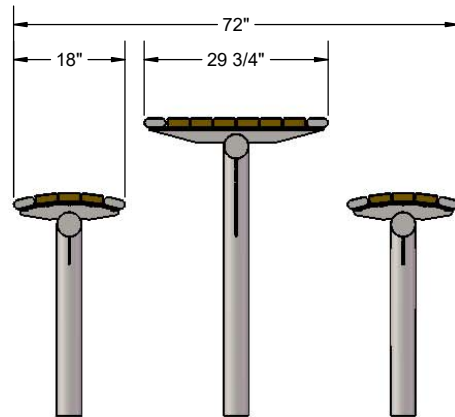
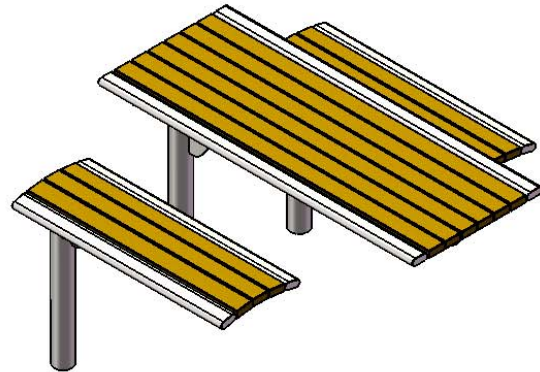
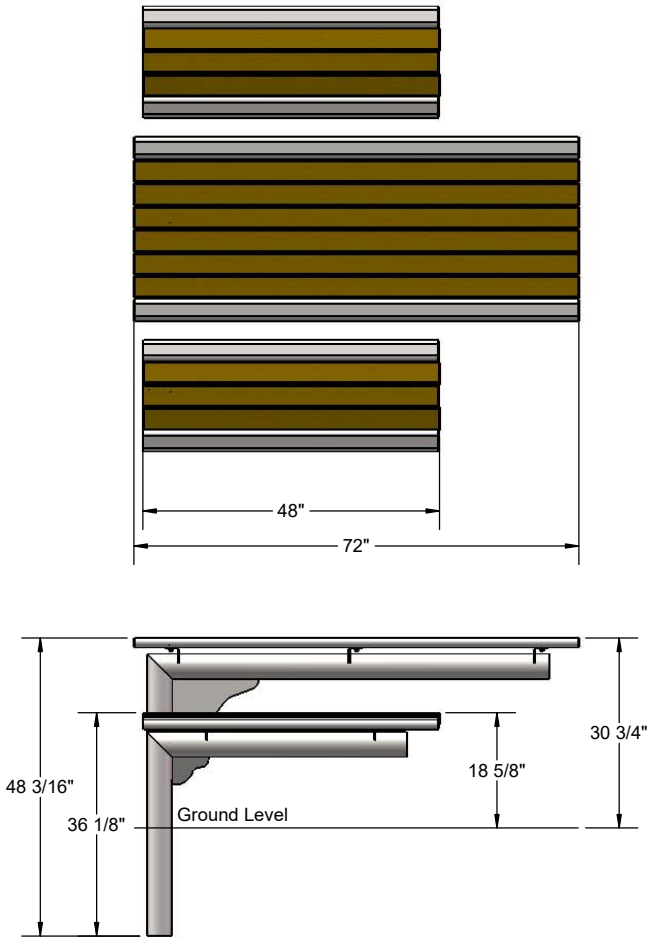

**SUPERIOR**  
 RECREATIONAL PRODUCTS  
A PLAYCORE Company

# FOOTINGS



Estimated Concrete Required:  
12 - 50lb Bags of Concrete Mix

## OVERALL DIMENSIONS



**S** SUPERIOR<sup>™</sup>  
RECREATIONAL PRODUCTS  
A PLAYCORE Company